

**HONDA**

# ***GENERAL PURPOSE ENGINE***

**GX390H1  
GX390H2**

**PARTS CATALOGUE**

**3**

---

FOREWORD INDEX

**1**

---

ENGINE GROUP

**2**

---

PART NUMBER INDEX

**3**

---

PART NAME INDEX

**4**

---



## Instruction for use of parts catalogue

- **This parts catalogue was prepared based on the latest information available as of December 10, 2019.**
  - See the parts catalogue news for any revision that is made after December 10, 2019.
- **Always specify the part number when ordering a part.**
  - Check the model, type, serial numbers, color, maker, and the size as needed before ordering a part.
  - Note that the illustrations (part drawings) can differ from the actual parts in shape. They are given just to help you to refer to the parts.
- **When modifications or additions to this parts catalogue are made, a revised edition will be issued at an appropriate time, with successively progressing revision numbers on the cover. We recommend obtaining such revisions in order to keep your parts catalogue up-to-date at all times. To check whether a parts catalogue revision has been issued, please contact your Honda distributor.**

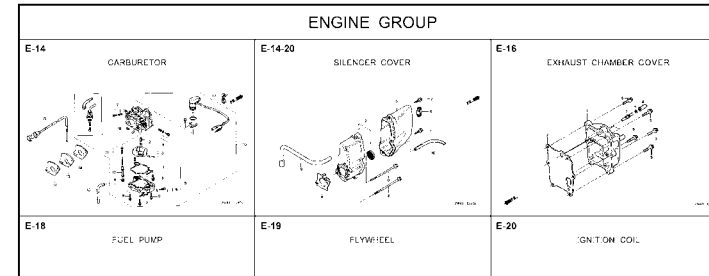
Initial version issue date May 18, 2007  
Honda Motor Co., Ltd.

## CONTENTS

	Page
● Instruction for use of parts catalogue .....	1
● How to refer to the part information .....	2
● Part catalogue structure .....	3
● When the parts were revised.....	4
● Abbreviations used in the parts catalogue.....	4
● How to check the part block and serial numbers.....	5
● Models, parts catalogue codes and applicable serial numbers.....	6
● Features of each type.....	10
● Fuel hose, general purpose hoses and vinyl hose .....	18
● FLAT RATE SERVICE TIME .....	19
● Illustrated index .....	24
● ENGINE GROUP.....	28
● PART NO. INDEX.....	107
● PART NAME INDEX.....	111

## How to refer to the part information

### A Reference with "Illustrated index"



### B Reference with "Part number index"

PART NO. INDEX				
Part Number	Page Ref.	Part Number	Page Ref.	Pi
06000		15212-ZW9-000	49 7	17583
		15220-ZW9-003	49 8	17583
06316-ZW9-000	104 1	15332-ZW9-000	74 2	17611
		15332-ZW9-A30	76 2	17611
11000		15400-PFB-004	46 5	17612
		15422-ZW9-000	49 9	17620
11300-ZW9-000	46 1	15473-881-000	49 10	17620
11300-ZW9-800	46 1	15474-ZW9-000	49 11	17624
11340-ZW9-000	46 2	15611-921-000	45 6	17650
11342-ZW9-000	46 3	15655-ZW9-000	46 6	17650
11381-ZW9-003	47 1			17660
				17661
12000		16000		
		16010-ZV4-005	55 1	17665
12000-ZW9-000ZA	46 4	16011-ZV4-005	55 2	17670
12155-ZV4-A00	48 1	16013-ZW9-003	55 3	17680
12166-ZW9-000	45 1	16016-ZW9-003	55 4	17701
12209-GB4-681	51 1	16016-ZW9-721	55 4	17701
12210-ZW9-000ZA	45 2	16023-ZW9-003	55 5	17701
12216-ZE2-300	74 1	16024-ZV4-650	55 6	17701
		16028-ZV4-650	55 7	17702

### C Reference with "Part name index"

PART NAME INDEX		
Part name	Page	Ref.
[ A ]		
ABSORBER, FUEL	80	5
ARMATURE COMP.	62	7
ARM COMP., LINK JOINT	102	18
ARM COMP., SHIFT LINK	102	14
ARM COMP., TILT	97	20
ARM, FUEL PUMP ROCKER	51	4
ARM, REVERSE LOCK	97	18
ARM, SHIFT LINK	92	7
ARM, STOPPER	52	12
ARM, THROTTLE REMOTE	92	6
ARM, VALVE ROCKER	51	3
[ B ]		
BAG, TOOL, 160MM	101	10
BAND	103	37
BAND B1, WIRE	37	1
BAND, CORD	35	18
BAND, TUBE CLIP, 11MM	31	20
BAND, TUBE CLIP, 12.5MM	31	19

### E-2 CYLINDER HEAD

**Block No.**

**Ref No.**

ZW83-50200

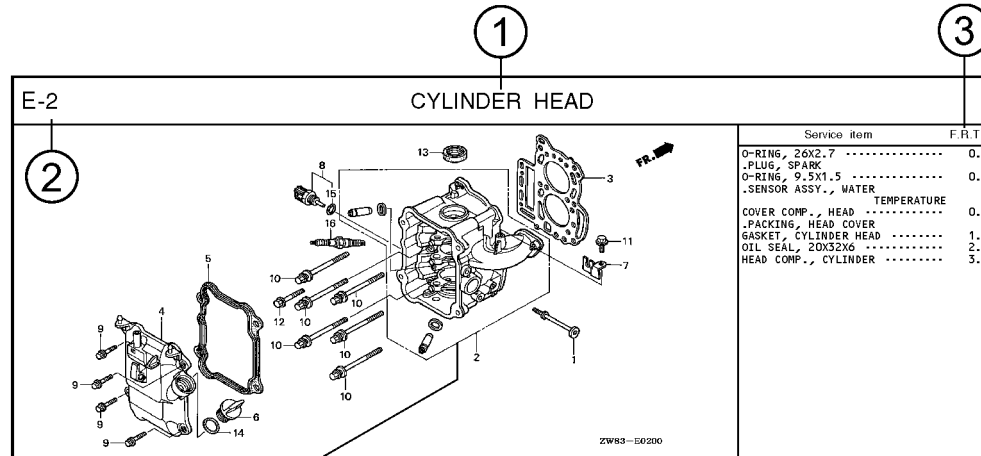
Service item	F.R.T.
O-RING, 26X2.7	0.1
PLUG, SPARK	
O-RING, 9.5X1.5	0.2
SENSOR ASSY., WATER TEMPERATURE	
COVER COMP., HEAD	0.3
PACKING, HEAD COVER	
GASKET, CYLINDER HEAD	1.8
OIL SEAL, 20X32X6	2.4
HEAD COMP., CYLINDER	3.1

Ref. No.	Part No.	Description	Reqd. QTY						Serial No.	Parts catalogue code
			9901	9901	1001	1001	1001	1001		
1	12166-ZW9-000	STOPPER, ENGINE SIDE	2	2	2	2	2			
2	12210-ZW9-000ZA	HEAD COMP., CYLINDER	1	1	1	1	1			
3	12251-ZW9-003	GASKET, CYLINDER HEAD	1	1	1	1	1			
4	12310-ZW9-000	COVER COMP., HEAD	1	1	1	1	1			
5	12312-ZW9-000	PACKING, HEAD COVER	1	1	1	1	1			
6	15611-921-000	CAP, OIL (NO GAUGE)	1	1	1	1	1			
7	16617-ZW9-000	HOLDER, CABLE	1	1	1	1	1		SC,SG	
	16617-ZW9-010		1	1	1	1	1	1001801	LHC,LHD	
8	35673-ZW5-003	SENSOR ASSY., WATER TEMPERATURE	1	1	1	1	1			
9	90003-ZW9-000	BOLT, FLANGE, 6X22	6	4	4	4	4			
10	90007-ZW9-003	BOLT, FLANGE, 8X83	6	6	6	6	6			
11	90011-ZW9-000	BOLT, FLANGE, 6X14(CT200)	1	1	1	1	1			
12	90020-ZW9-000	BOLT, FLANGE, 8X40	2	2	2	2	2			
13	91202-KJ9-003	OIL SEAL, 30X32X6	1	1	1	1	1			
14	91301-805-000	O-RING, 26X2.7	1	1	1	1	1			
15	91307-PK2-005	O-RING, 9.5X1.5(HONDA KIKAKI)	1	1	1	1	1			
16	98059-55916	PLUG, SPARK (CR5EH-9)	2	2	2	2	2			
	98059-55926	PLUG, SPARK (U16FER9)	2	2	2	2	2			

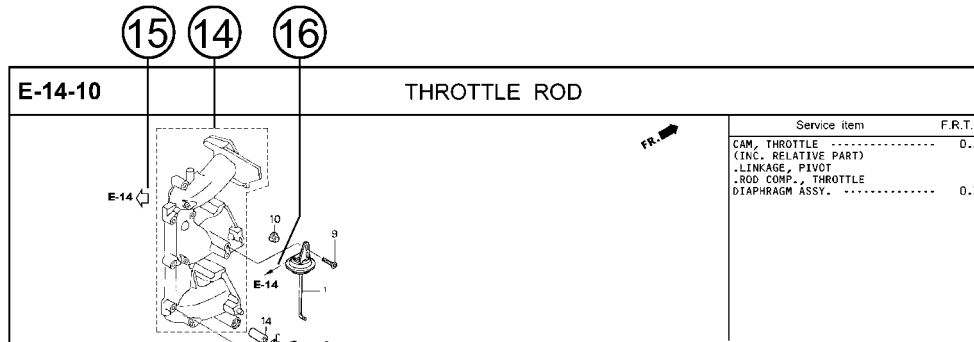
2000.09.20 E

Page No.

## Part catalogue structure



Ref. No.	Part No.	Description	Reqd. QTY						Serial No.	Parts catalogue code
			BF 9.9D1	BFF 9.9D1	BF 10D1	BFF 10D1	BF 10B1	BFF 10B1		
1	12166-zw9-000	STOPPER, ENGINE SIDE	2	2	2	2	2	2		
2	12210-zw9-000ZA	HEAD COMP., CYLINDER *NH8*	1	1	1	1	1	1		
3	12251-zw9-003	GASKET, CYLINDER HEAD	1	1	1	1	1	1		
4	12310-zw9-000	COVER COMP., HEAD	1	1	1	1	1	1		
5	12312-zw9-000	PACKING, HEAD COVER	1	1	1	1	1	1		
6	15611-921-000	CAP, OIL (NO GAUGE)	1	1	1	1	1	1		
7	16617-zw9-000	HOLDER, CABLE	1	1	1	1	1	1	SC,SG	
	16617-zw9-010		1	1	1	1	1	1	1001800 LHC,LHD	



① Block title ② Block number

③ Service item/Flat rate time

④ Reference number

- Title number marked with the parenthesis or parentheses indicates that it continues from the previous page.

⑤ Part number ⑥ Honda color code

⑦ Description

⑧ Assemblies

- Sections framed with broken lines in the exploded view drawings are available as complete assemblies. (Their individual parts can also be obtained.)

⑨ Color description

⑩ Note

- Notes are shown with the parentheses in the part name column.

⑪ Required quantity

- Required QTY shown in the parenthesis or parentheses indicates the optional part.
- Required QTY marked with "N" Indicates the optional part that should be selected as needed.
- Required QTY indicates the number of the part used in the block.

⑫ Serial number

⑬ Type

- When the type column is blank, it indicates that the part is applicable to all types.
- As the type of the actual unit may differ from the "parts catalogue, type" please refer to "Models, types and applicable serial numbers" for confirmation.

⑭

- Parts enclosed within a dotted line are covered in a different block.

⑮

- A hollow arrow indicates the block No. for the parts enclosed within a dotted line.

⑯

- A solid arrow indicates the block No. the part in question is connected to.

**When the parts were revised**



Be sure to check the serial number!!



Ref. No.	Part No.	Description	Reqd. QTY						Serial No.
			BF 99D1	BFP 99D1	BF 10D1	BFP 10D1	BF 10B1	BFP 10B1	
1	12166-ZW9-000	STOPPER, ENGINE SIDE .....	2	2	2	2	2	2	
2	12210-ZW9-000ZA	HEAD COMP., CYLINDER *NHS* ..... DARK GRAY	1	1	1	1	1	1	
3	12251-ZW9-003	GASKET, CYLINDER HEAD .....	1	1	1	1	1	1	
4	12310-ZW9-000	COVER COMP., HEAD .....	1	1	1	1	1	1	
5	12312-ZW9-000	PACKING, HEAD COVER .....	1	1	1	1	1	1	
6	15611-921-000	CAP, OIL (NO GAUGE) .....	1	1	1	1	1	1	
7	16617-ZW9-000	HOLDER, CABLE (###) .....	1	1	1	1	1	1	SC, SG LHC, LHD 1001800 1001801
	16617-ZW9-010	.....	1	1	1	1	1	1	

The number has been used from the initial model without revision. When shown at the left side it is applicable to the models of No.1001801 and the subsequent numbers. When shown at the right side it is applicable to the models up to No.1001800.

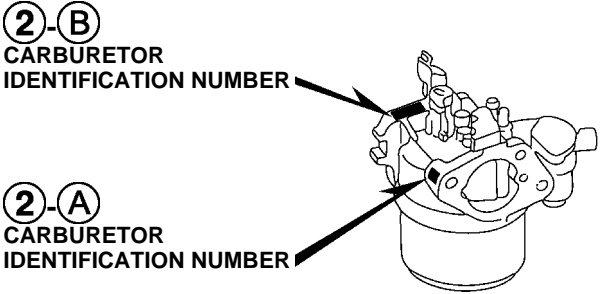
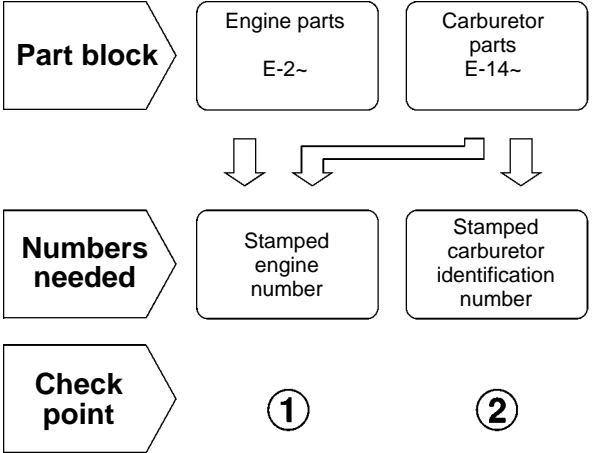
• The parts listed with "###" at the end of the parts name have limited supply period (parts not for sale).

**Abbreviations used in the parts catalogue**

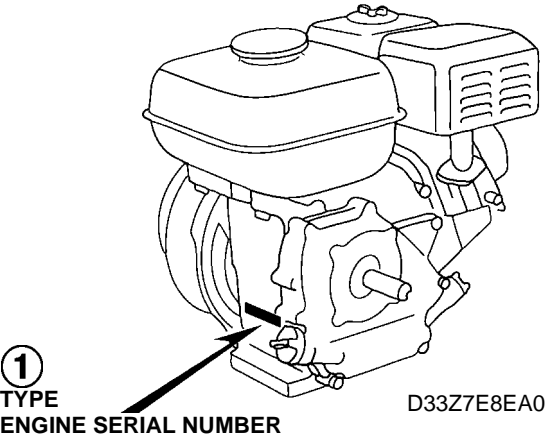
• The following abbreviations are used in the parts name column.

- A ..... Ampere
- A.C. .... Alternating current
- ASSY. .... Assembly
- AT. .... Automatic transmission
- C.D.I. .... Capacitive discharge ignition
- COMP. ... Complete
- D.C. .... Direct current
- EX. .... Exhaust
- G.F.C.I ... Ground fault circuit interruptor
- HEX. .... Hexagonal
- H.S.T. .... Hydrostatic transmission
- FR. ....Front
- IN. ....Inlet
- L (100L) .Link (100 Links)
- L. ....Left
- MM .....Millimeter
- MT. ....Manual Transmission
- P.T.O. ....Power take off
- R. ....Right
- RR. ....Rear
- STD. ....Standard
- T (22T) ...Tooth (22 Teeth)
- V .....Volt
- W .....Watt

**How to check the part block and serial numbers**



D33Z7E8CA0





## Models, parts catalogue codes and applicable serial numbers

• Models, parts catalogue codes and applicable serial Nos. given in this parts catalogue can be identified as follows.

Model	Type	Parts catalogue type	Applicable engine serial No.	Applicable carburetor identification No.	Model	Type	Parts catalogue type	Applicable engine serial No.	Applicable carburetor identification No.
GX390H1	EDF6	EDF6	GCAFH-0000001~	BE87G B	GX390H1	QA2	QA2	GCAFH-0000001~9999999	BE85T A/B
	EDS1	EDS1		BE88P A					
	EDS2	EDS2		BE85T A/B BEA6C A					
	EDT1	EDT1							
	ES2	ES2		BE85T A/B					
	ES3S	ES3S	GCAFH-0000001~9999999	BE87A C		QH	QH	GCAFH-0000001~	BE85T A/B
	ES4S	ES4S							
	LH	LH	GCAFH-0000001~	BE85T A/B		QH1	QH1		
	LH1	LH1							
	LH2	LH2				GCAFH-0000001~9999999	BE85T A/B	QHB1	QHB1
	LHB5	LHB5							
	LHP1	LHP1	GCAFH-0000001~	BE85T A/B BEA6C A					
	LXE9	LXE9							
	PX	PX						QHB3	QHB3
		QHB5	QHB5	BE88P A					
					QHBR	QHBR	GCAFH-0000001~	BE85U A BE88Q A	
				QHE	QHE				
				QHP1	QHP1	GCAFH-0000001~9999999	BE88P A		
				QMH	QMH				
				QN	QN				
				QP	QP	GCAFH-0000001~9999999			

1

Model	Type	Parts catalogue type	Applicable engine serial No.	Applicable carburetor identification No.
GX390H1	QX	QX	GCAFH-0000001~	BE85T A/B
	QXBR	QXBR		BE85T A/B BEA6C A
	QXE	QXE		BE85T A/B
	QXEK	QXEK	GCAFH-0000001~9999999	
	QXHQ	QXHQ	GCAFH-0000001~	
	QXK	QXK	GCAFH-0000001~9999999	
	SH	SH	GCAFH-0000001~	
	SH1	SH1		
	SHE	SHE		
	SM11	SM11	GCAFH-0000001~9999999	BE88P A
	SWE2	SWE2		
	SWX2	SWX2	GCAFH-0000001~	BE85T A/B
	SX	SX		
SX1	SX1			

Model	Type	Parts catalogue type	Applicable engine serial No.	Applicable carburetor identification No.
GX390H1	SXC	SXC	GCAFH-0000001~	BE85T A/B
	SXC1	SXC1		
	SXE	SXE	GCAFH-0000001~9999999	
	SXE1	SXE1		
	VMQ3	VMQ3		
	VMT3	VMT3		
	VPKK	VPKK	GCAFH-0000001~	BE89L C
	VPX4	VPX4	GCAFH-0000001~9999999	
	VPXB	VPXB	GCAFH-0000001~	
	VPXE	VPXE	GCAFH-0000001~9999999	
	VPXJ	VPXJ		
	VPXK	VPXK	GCAFH-0000001~	
	VPXX	VPXX	GCAFH-0000001~9999999	BE89J A
	VS4	VS4		

Model	Type	Parts catalogue type	Applicable engine serial No.	Applicable carburetor identification No.
GX390H1	VS6	VS6	GCAFH-0000001~9999999	BE89J A
	VSB4	VSB4		BE89K A
	VSP	VSP	GCAFH-0000001~	BE85L A BE85U A
	VTE5	VTE5		BE88P A
	VX	VX		BE85U A BE88Q A
	VX1	VX1		BE88Q A
	VX1M	VX1M		BE85U A BE88Q A
	VXE	VXE		BE89J A
	VXEK	VXEK		BE88Q A
	VXEM	VXEM	GCAFH-0000001~9999999	BE85U A BE88Q A
	VXK	VXK	GCAFH-0000001~	BE89J A
	VXKS	VXKS	GCAFH-0000001~	BE85U A BE88Q A
	VXU1	VXU1	GCAFH-0000001~9999999	BE85U A BE88Q A

Model	Type	Parts catalogue type	Applicable engine serial No.	Applicable carburetor identification No.
GX390H2	EDS1	EDS1	GCBBH-1000001~	BE96E A
	EDS2	EDS2		
	EDT1	EDT1		
	ES2	ES2		BE96F A
	LH	LH		BEA6J A
	LH1	LH1		
	PX	PX		
	QH	QH		
	QH1	QH1		
	QHE	QHE		
	QMH	QMH		
	QN	QN		
	QX	QX		
	QXE	QXE		

Model	Type	Parts catalogue type	Applicable engine serial No.	Applicable carburetor identification No.	
GX390H2	QXHQ	QXHQ	GCBBH-1000001~	BEA6J A	
	SH	SH			
	SH1	SH1			
	SHE	SHE			
	SM11	SM11			
	SWX2	SWX2			
	SX	SX			
	SX1	SX1			
	SXC	SXC			
	SXC1	SXC1			
	VPKK	VPKK			BE96D A
	VPXB	VPXB			
	VPXE	VPXE			
	VPXK	VPXK			

Model	Type	Parts catalogue type	Applicable engine serial No.	Applicable carburetor identification No.
GX390H2	VPXX	VPXX	GCBBH-1000001~	BE96D A
	VTE5	VTE5		BEA6J A
	VX	VX		
	VX1	VX1		
	VX1M	VX1M		
	VXE	VXE		BE96F A
	VXEK	VXEK		
	VXEM	VXEM		
	VXKS	VXKS		BEA6J A
				BE96F A

\* Of carburetor identification numbers, only the portions underlined in the example below are used for registration.

BE 87G A KC ナ  
 (A) (B)

## Features of each type

• See the following table for the features of each type. (Items in brackets are optional)

Specifications		Model	GX390H1													
		Type	EDF6	EDS1	EDS2	EDT1	ES2	ES3S	ES4S	LH	LH1	LH2	LHB5	LHP1	LXE9	PX
Crankshaft	25mm Ø X 117mm Straight															
	25.4mm Ø X 142.5mm Straight															
	5/16" Tapered						●	●								
	35mm Ø Tapered	●	●	●	●	●										
	30mm Ø Spline									●	●	●	●	●	●	
	25.4mm Ø Spline															●
Oil alert			●	●	●	●	●	●	●						●	●
Oil level switch			●	●	●	●	●	●	●						●	●
Charge coil			●	●	●				●						●	
Starter motor			●	●	●				●						●	
Control box															●	
Reduction										●	●	●	●	●	●	

1

Specifications		Model	GX390H1													
		Type	QA2	QBE1	QEBR	QH	QH1	QHB1	QHB3	QHB5	QHBR	QHE	QHP1	QMH	QN	QP
Crankshaft	25mm Ø X 117mm Straight															
	25.4mm Ø X 142.5mm Straight	●	●	●	●	●	●	●	●	●	●	●	●	●	●	●
	5/16" Tapered															
	35mm Ø Tapered															
	30mm Ø Spline															
	25.4mm Ø Spline															
Oil alert		●		●												
Oil level switch		●		●												
Charge coil			●	●							●					
Starter motor			●	●							●					
Control box			●	●							●					
Reduction																

Specifications		Model	GX390H1													
		Type	QX	QXBR	QXE	QXEK	QXHQ	QXK	SH	SH1	SHE	SM11	SWE2	SWX2	SX	SX1
Crankshaft	25mm Ø X 117mm Straight								●	●	●	●	●	●	●	●
	25.4mm Ø X 142.5mm Straight	●	●	●	●	●	●									
	5/16" Tapered															
	35mm Ø Tapered															
	30mm Ø Spline															
	25.4mm Ø Spline															
Oil alert		●	●	●	●	●	●						●	●	●	
Oil level switch		●	●	●	●	●	●						●	●	●	
Charge coil				●	●					●		●				
Starter motor				●	●					●		●				
Control box				●	●					●		●				
Reduction																

Specifications		Model	GX390H1													
		Type	SXC	SXC1	SXE	SXE1	VMQ3	VMT3	VPKK	VPX4	VPXB	VPXE	VPXJ	VPXK	VPXX	VS4
Crankshaft	25mm Ø X 117mm Straight	●	●	●	●											
	25.4mm Ø X 142.5mm Straight															
	5/16" Tapered					●		●	●	●	●	●	●	●	●	●
	35mm Ø Tapered						●									
	30mm Ø Spline															
	25.4mm Ø Spline															
Oil alert		●	●	●	●	●	●	●	●	●	●	●	●	●	●	●
Oil level switch		●	●	●	●	●	●	●	●	●	●	●	●	●	●	●
Charge coil				●	●		●	●			●	●	●	●		
Starter motor				●	●		●	●			●	●	●	●		
Control box				●	●		●									
Reduction																



Specifications		Model	GX390H1												
		Type	VS6	VSB4	VSP	VTE5	VX	VX1	VX1M	VXE	VXEK	VXEM	VXK	VXKS	VXU1
Crankshaft	25mm Ø X 117mm Straight														
	25.4mm Ø X 142.5mm Straight														
	5/16" Tapered	●	●	●	●	●	●	●	●	●	●	●	●	●	
	35mm Ø Tapered														
	30mm Ø Spline														
	25.4mm Ø Spline														
Oil alert		●	●	●	●	●	●	●	●	●	●	●	●	●	
Oil level switch		●	●	●	●	●	●	●	●	●	●	●	●	●	
Charge coil		●			●				●	●	●	●		●	
Starter motor		●			●				●	●	●	●		●	
Control box					●				●		●	●		●	
Reduction															

Specifications		Model	GX390H2													
		Type	EDS1	EDS2	EDT1	ES2	LH	LH1	PX	QH	QH1	QHE	QMH	QN	QX	QXE
Crankshaft	25mm Ø X 117mm Straight															
	25.4mm Ø X 142.5mm Straight									●	●	●	●	●	●	●
	5/16" Tapered															
	35mm Ø Tapered	●	●	●	●											
	30mm Ø Spline					●	●									
	25.4mm Ø Spline							●								
Oil alert																
Oil level switch		●	●	●	●			●							●	●
Charge coil		●	●								●					●
Starter motor		●	●								●					●
Control box											●					●
Reduction						●	●									

1

Specifications		Model	GX390H2												
		Type	QXHQ	SH	SH1	SHE	SM11	SWX2	SX	SX1	SXC	SXC1	VPKK	VPXB	VPXE
Crankshaft	25mm Ø X 117mm Straight		●	●	●	●	●	●	●	●	●				
	25.4mm Ø X 142.5mm Straight	●													
	5/16" Tapered											●	●	●	●
	35mm Ø Tapered														
	30mm Ø Spline														
	25.4mm Ø Spline														
Oil alert															
Oil level switch		●					●	●	●	●	●	●	●	●	●
Charge coil					●							●		●	●
Starter motor					●							●		●	●
Control box					●										
Reduction															

Specifications		Model	GX390H2								
		Type	VPXX	VTE5	VX	VX1	VX1M	VXE	VXEK	VXEM	VXKS
Crankshaft	25mm Ø X 117mm Straight										
	25.4mm Ø X 142.5mm Straight										
	5/16" Tapered	●	●	●	●	●	●	●	●	●	
	35mm Ø Tapered										
	30mm Ø Spline										
	25.4mm Ø Spline										
Oil alert											
Oil level switch		●	●	●	●	●	●	●	●	●	
Charge coil		●	●				●	●	●		
Starter motor		●	●				●	●	●		
Control box			●				●		●		
Reduction											

## Fuel hose, general purpose hoses and vinyl hose

- The standard part fuel hose, general purpose hose and vinyl hose may be substituted by the coiled bulk part.
- When ordering the standard part fuel hose, general purpose hose and vinyl hose use the bulk part number written in the parts catalog in brackets ( ) underneath the part name.
- When exchanging the hose, cut and use at the specified length as mentioned in the part name.  
(For the method of cutting the bulk part, and method of filling out orders etc., please refer to the instructions issued with the bulk part.)

### Bulk part number of fuel hose, general purpose hose and vinyl hose.

Example: 9 5 0 0 1 - 7 5 0 0 1 - 5 0 M

**Bulk part number:**  
Refers to the bulk part.

**Marking code (fuel hose and general purpose hose)**

**Change code (Vinyl hose)**

Indicates number mark or change sequence, however, the code for the bulk part must be strictly 0 (zero).

**Types of code:**

- |             |  |                |             |              |               |
|-------------|--|----------------|-------------|--------------|---------------|
| • Fuel hose | 2: Red outside braid<br>(3 mm inside dia. only)        | • General hose | 1: Ash gray | • Vinyl hose | 1: Clear      |
|             | 5: Black inside braid                                  |                | 2: Ash gray |              | 2: Black      |
|             | 3: Red (3 mm inside dia. only)                         |                | 3: Black    |              | 3: Light red  |
|             | 4: Ash gray with red stripe<br>(3 mm inside dia. only) |                | 5: Black    |              | 6: Light red  |
|             | 6: Black   |                |             |              | 7: Pale black |

**Lengths:**

- 001: 1 m (standard)  
003: 3 m  
008: 8 m } Application or specification of some parts is not settled.

**I.D code: (fuel hose and general purpose hose)**

- |            |                    |                    |                             |                             |
|------------|--------------------|--------------------|-----------------------------|-----------------------------|
| 30: 3.0 mm | 50: 5.0 mm         | 70: 7.0 mm         | 11: 11 mm                   | 12: 12 (outside dia. 17) mm |
| 35: 3.5 mm | 55: 5.3 mm, 5.5 mm | 75: 7.3 mm, 7.5 mm | 91: 12 (outside dia. 15) mm | 14: 14 mm                   |
| 45: 4.5 mm | 65: 6.5 mm         | 80: 8.0 mm         | 92: 12 (outside dia. 16) mm | 17: 17 mm                   |

**ID./OD. code: (vinyl hose)**

- |                         |                          |                           |                           |                           |
|-------------------------|--------------------------|---------------------------|---------------------------|---------------------------|
| 01: ID. 2.9, OD. 6.8 mm | 12: ID. 5.0, OD. 7.0 mm  | 21: ID. 8.0, OD. 9.0 mm   | 37: ID. 11.0, OD. 15.0 mm | 50: ID. 16.0, OD. 19.0 mm |
| 03: ID. 3.0, OD. 6.0 mm | 10: ID. 5.0, OD. 8.0 mm  | 23: ID. 8.0, OD. 12.0 mm  | 38: ID. 12.0, OD. 13.0 mm | 55: ID. 17.5, OD. 20.5 mm |
| 05: ID. 3.5, OD. 6.5 mm | 11: ID. 5.0, OD. 9.0 mm  | 25: ID. 9.0, OD. 11.0 mm  | 39: ID. 12.0, OD. 14.0 mm | 60: ID. 22.0, OD. 27.0 mm |
| 07: ID. 4.0, OD. 7.0 mm | 14: ID. 6.0, OD. 9.0 mm  | 27: ID. 9.0, OD. 13.0 mm  | 40: ID. 12.0, OD. 16.0 mm |                           |
| 08: ID. 4.5, OD. 6.5 mm | 17: ID. 7.0, OD. 9.0 mm  | 33: ID. 10.0, OD. 14.0 mm | 43: ID. 13.0, OD. 15.0 mm |                           |
| 09: ID. 4.5, OD. 8.0 mm | 19: ID. 7.0, OD. 11.0 mm | 36: ID. 11.0, OD. 13.0 mm | 45: ID. 14.0, OD. 18.0 mm |                           |

**Hose type:**

- 1: Fuel hose  
3: Vinyl hose  
5: General hose

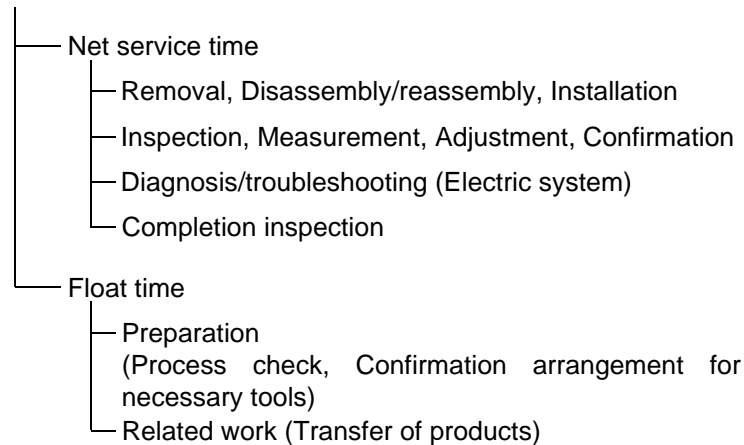
⊙ **CAUTION: It is DANGEROUS to confuse the fuel hose with the general purpose hose or vinyl hose.**

Never use a general purpose hose or vinyl hose in place of a fuel hose or vice versa. Always use the correct bulk part in the parts catalogue, according to the service manual or the instructions issued with the bulk part.

## FLAT RATE SERVICE TIME

Flat rate service time (FRT) means the standard time required to service a product, which is listed in this manual to help the dealers control the actual working process and calculate the service charge by using it as a guide.

### FRT setting system



\* Float time is set by multiplying the net service time by a given coefficient.

### Editorial style

The service items shown in the text are listed with the exchange work time for the repair sales parts as the subject. Other representative service items not using repair parts (removal/installation, adjustment, inspection/measuring, and other work) are listed collectively in the list in the preface, classified according to the work.

### FRT setting standard

- Decimal system (in unit of 0.1) is adopted to set FRT as it is convenient to calculate the wage.  
Example: (0.1) → 6 minutes, (0.2) → 12 minutes  
[Labor cost per hour] x [FRT] = [Wage]
- FRT is set with a hand tool.
- Service items and FRT can be subject to change depending on development of tools and service equipment and improvement in service procedure.

**Work procedure**

- As the work procedure is set with the work time according to the method in the separate Service Manual, refer to this Manual as required.
- Work methods permitting servicing in the shortest time still permitting assurance of safe work and product warranty are used for the setting of service items not listed in the Service Manual.
- Work basically is to be performed by one person, and when two or more people are required, setting is done as the total time for the number of people.
- The set value for the technological level of the workers uses a person with three years of experience in the repair of Honda products as the standard.
- Special tools and service equipment used to set FRT are those specified or recommended in Service Manual.

**Service item whose FRT is not presented**

- Accessories and service parts that are not listed to use in this manual.
  - Locations with little aging deterioration or breakage during normal use.
  - Service work that can be finished by one touch.
  - Service work that is seldom done (i.e. extremely small causes of trouble and service frequency).
  - Products and parts whose location for installation differs according to its status of use and application.
- \* When FRT is not presented, please calculate wages based on appropriate actual work time.

**Operation not included of FRT**

- Oil and coolant water draining, Waiting time for warming up operation and etc..
- Additional operation that involves removal/installation of standard exterior equipment.
- Indirect time spent for service by visiting the customer, trade-in, and delivery.
- Indirect time required for ordering and delivery of parts.
- Cost for grease, adhesive agent, etc. used for service work.

**Explanation of FRT by using an example  
(The example may differ from the actual presented items)**

Ref. No.	L.O.N.	(Relative ref. Number) Description	F.R.T.
①	1111L1	④ VALVE, INTAKE .....4.1	②
②		⑧ • NOTE: OHV type	⑦
③	1111L1A	⑤ • Includes: Engine removal and installation One head (intake all) add .....1.4	

- ① Reference No. of the illustration of part that shows location of the replacement work.
- ② FRT is an abbreviation of Flat Rate Time indicating the standard service time required for the replacement.
- ③ LON is an abbreviation of Labor Operation Number, and it is a classification of the service items by the work unit code.

The same operation code is used regardless of the models.

Standard operation is indicated with 6 digits code, and additional operation is indicated with 7 digits code.

- ④ Indicating the intake valve replacement and FRT4.1.
- ⑤ Indicating FRT1.4 that will be added when additional operation (whole intake side of one cylinder head) is done in association with intake valve replacement.

- ⑥ Indicating work condition or application condition of the service item.
- ⑦ Indicating work contents that are included in the service item.
- ⑧ Indicating a reference No. whose operation and time are the same as FRT4.1 for the intake valve.

(The application range is limited to the service items without an LON setting within a same block.)

**How to refer to the service item by using the sample  
(intake valve replacement)**

Open to the page of the block where the intake valve's spare part illustration is shown.



Look for the intake valve illustration, and refer to the service item and FRT that agree with the reference No.



Indication mark for the listing of service items that continues to the following page

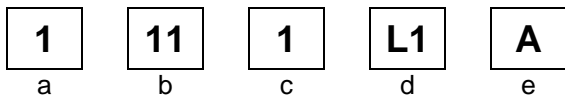
Ref. No.	L.O.N.	(Relative ref. Number) Description	F.R.T.
2	1111L1	VALVE, INTAKE .....	4.1
	.	.	.
	.	.	.

+  
Mark indicated at the last line.

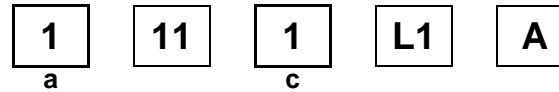
Indication of the block with no setting of FRT

Ref. No.	L.O.N.	(Relative ref. Number) Description	F.R.T.
NO INFORMATION .....			

• LON code system



- a) Category code..... Engine
- b) Location/function code..... Engine upper
- c) Operation code..... Replace
- d) Operation sequence number (Unit code can be shown with alphabet)  
..... Intake valve  
(No regular rule of code)
- e) Additional code ..... One head (intake all)  
(No regular rule of code)



a) Category codes and classification

Code	Category
1	Engine
2	Power drive
3	Fuel & Exhaust
4	Frame & Body
5	Steering
6	Electrical
7	Axle & Brake
8	Control system
9	-
0	Attachments

c) Operation codes and classification

Code	Operation category
1	Replace, Removal/Installation, Change
2	Overhaul
3	Adjust, Rotation
4	(Paint-related work: Top-coat)
5	Test, Inspect/diagnose, Measurement
6	(Overhaul-related work: Rebore)
7	(Overhaul-related work: Reseal)
8	(Resurface)
9	(Paint-related work: Refinish)
0	Repair, Cleaning, Air bleeding

Major service items without using spare parts  
 Adjustment, Inspection/Measurement, Overhaul, Other work

E: Engine, T: Transmission, D: Drive system, B: Body and related parts

• **Adjustment**

	LON	DESCRIPTION	FRT
E	1113A1	<b>VALVE CLEARANCE-ADJUSTMENT</b> NOTE: For 1 product	0.3
	1163A0	<b>CONTROL, THROTTLE/GOVERNOR-ADJUSTMENT</b>	0.2
	3113A2	<b>CARBURETOR IDLE-ADJUSTMENT</b>	0.2

• **Inspection/Measurement**

	LON	DESCRIPTION	FRT
E	1105A0	<b>ENGINE OIL-INSPECTION</b>	0.1

• **Overhaul**

Work condition: The required Measurements, inspections, adjustments, and cleaning/washing of each part are performed, including the main body removal/installation work and the replacement of defective parts.

	LON	DESCRIPTION	FRT
E	3112A0	<b>CARBURETOR-OVERHAUL</b> INCLUDES: All necessary adjustment	0.6

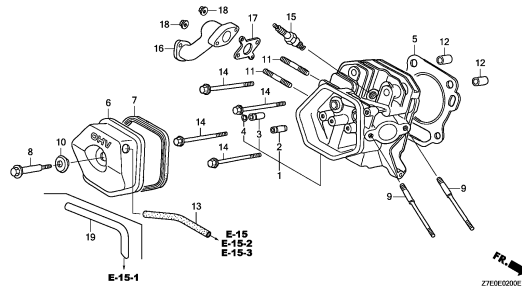
• **Other work**

	LON	DESCRIPTION	FRT
E	1101E1	<b>ENGINE OIL-CHANGE</b> INCLUDES: Engine oil-inspection	0.2
	3120A0	<b>AIR CLEANER-CLEANING</b> INCLUDES: Air cleaner-inspection	0.2
	3130A0	<b>SPARK ARRESTER-CLEANING</b> INCLUDES: Spark arrester-inspection	0.2
	6140A0	<b>SPARK PLUG-ADJUSTMENT/CLEANING</b> INCLUDES: Spark plug check NOTE: For 1 product	0.1

# ENGINE GROUP

E-2

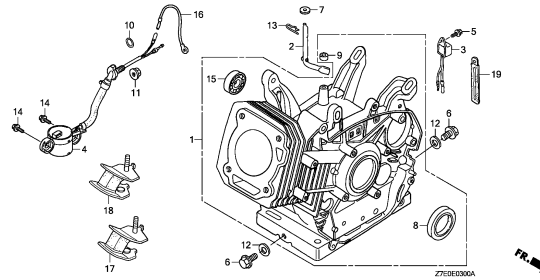
CYLINDER HEAD



Z710E000E

E-3

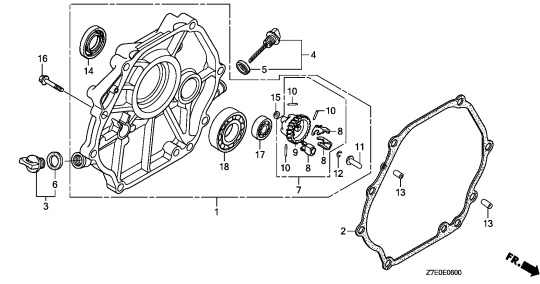
CYLINDER BARREL



Z710E000A

E-6

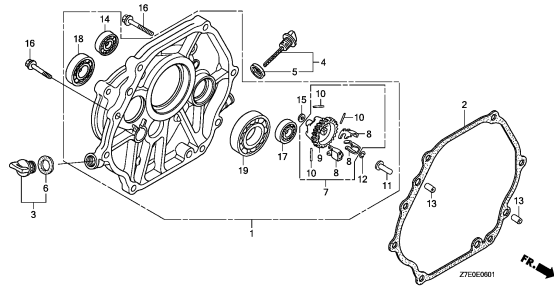
CRANKCASE COVER(1)



Z710E000D

E-6-1

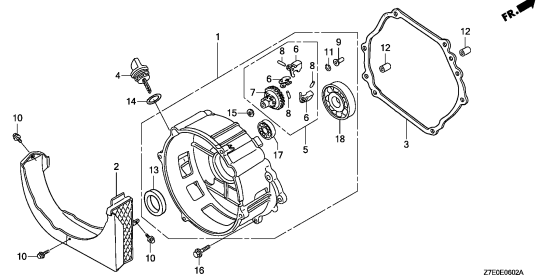
CRANKCASE COVER(2)



Z710E0001

E-6-2

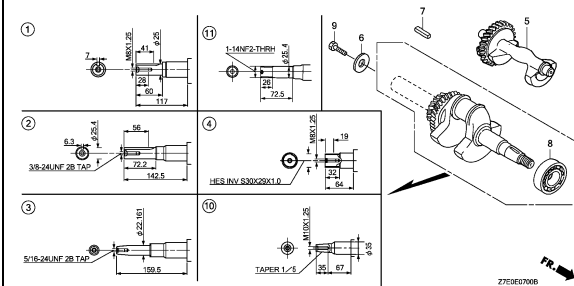
CRANKCASE COVER(3)



Z710E0002A

E-7

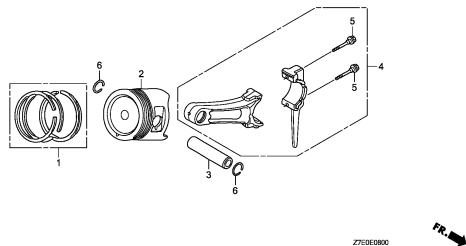
CRANKSHAFT



Z710E000B

E-8

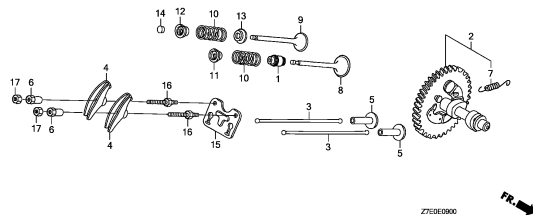
PISTON



Z710E000C

E-9

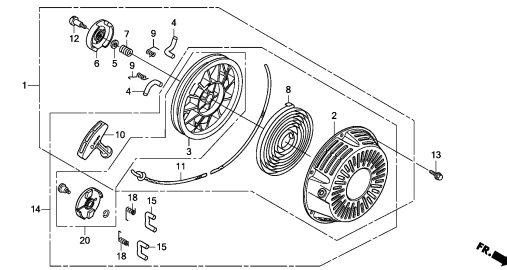
CAMSHAFT



Z710E0000

E-11

RECOIL STARTER(1)



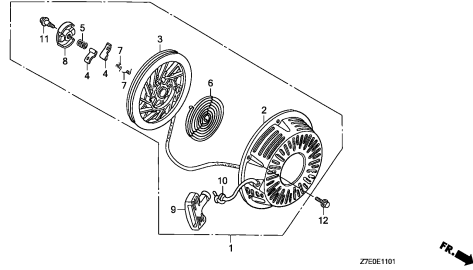
Z710E1100B

2

# ENGINE GROUP

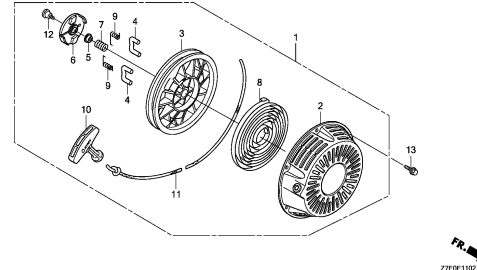
E-11-1

RECOIL STARTER(2)



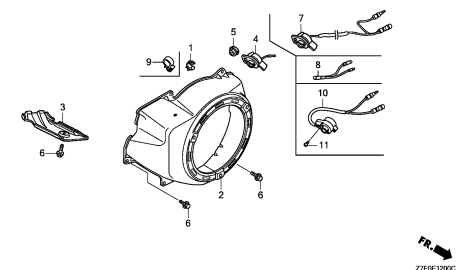
E-11-2

RECOIL STARTER(3)



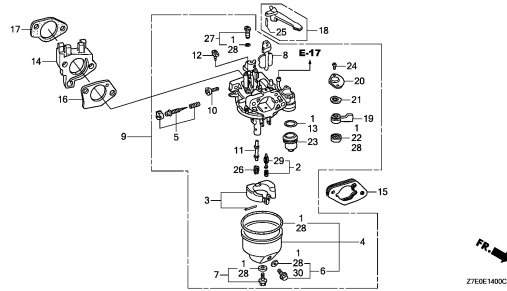
E-12

FAN COVER



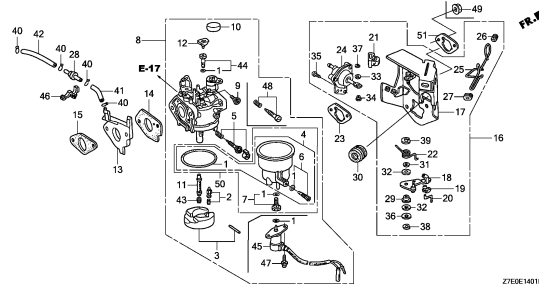
E-14

CARBURETOR(1)



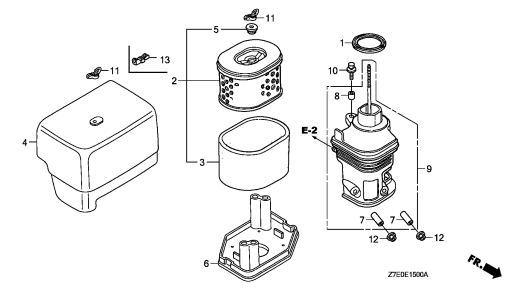
E-14-1

CARBURETOR(2)



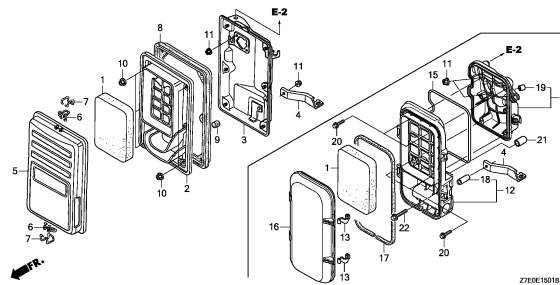
E-15

AIR CLEANER(1)



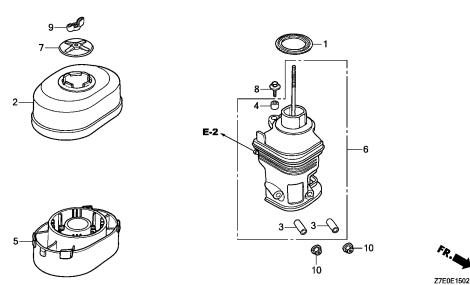
E-15-1

AIR CLEANER(2)



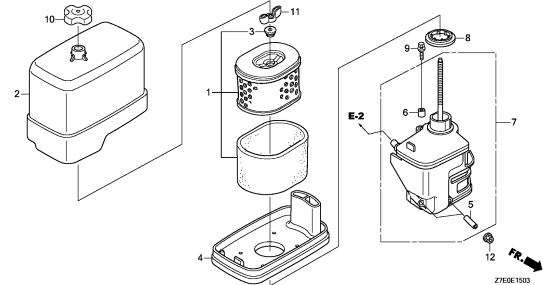
E-15-2

AIR CLEANER(3)



E-15-3

AIR CLEANER(4)

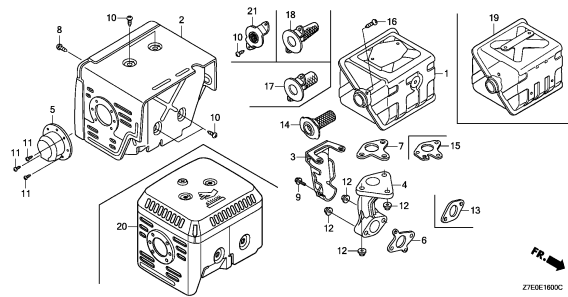


2

# ENGINE GROUP

E-16

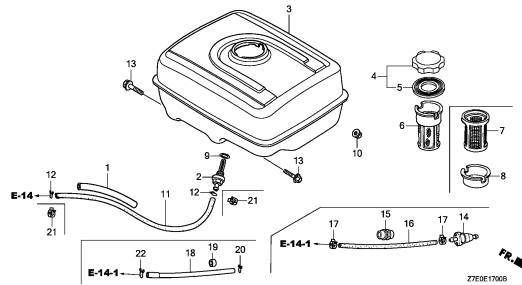
MUFFLER



Z7E0E1600C

E-17

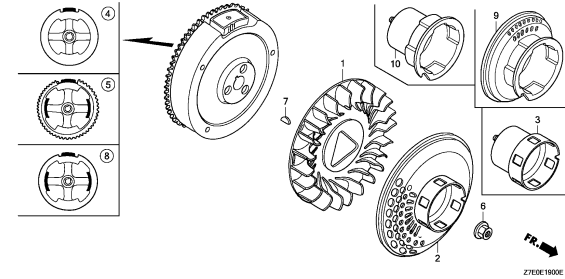
FUEL TANK



Z7E0E1700B

E-19

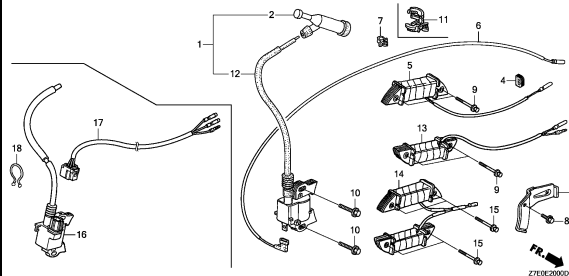
FLYWHEEL



Z7E0E1900E

E-20

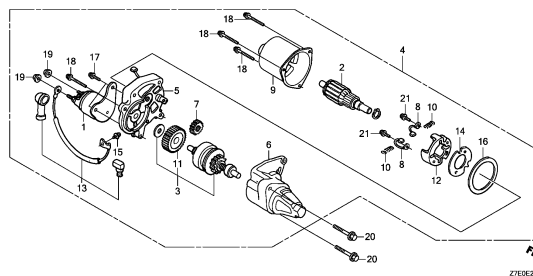
IGNITION COIL



Z7E0E2000D

E-21

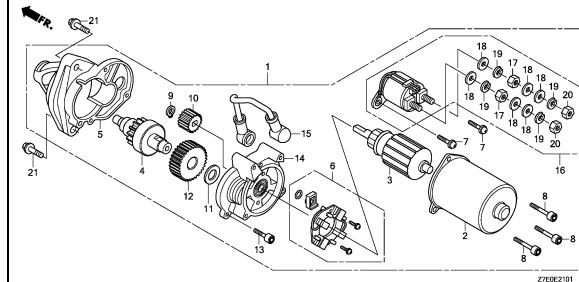
STARTER MOTOR(1)



Z7E0E2100A

E-21-1

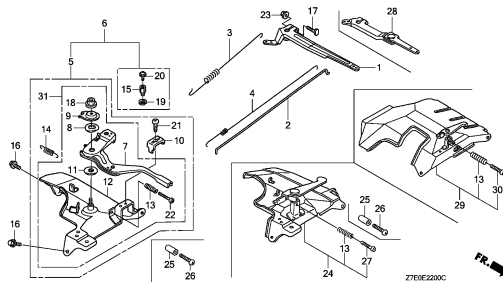
STARTER MOTOR(2)



Z7E0E2101

E-22

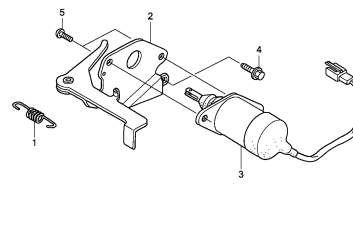
CONTROL



Z7E0E2200C

E-22-20

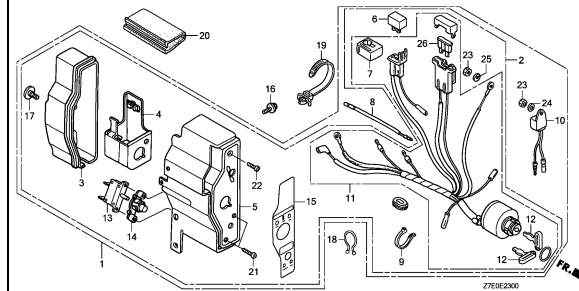
AUTO THROTTLE



Z7E0E2220

E-23

CONTROL BOX



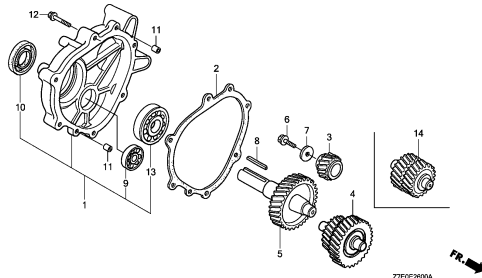
Z7E0E2300

2

# ENGINE GROUP

E-26

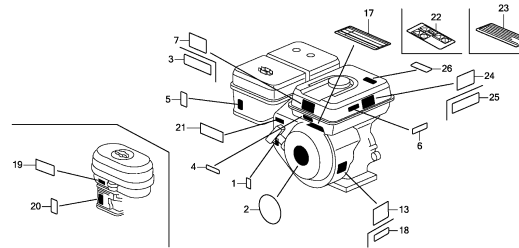
REDUCTION(1/2)



Z7E0E280A

E-28

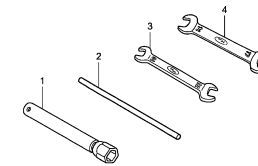
LABEL



Z7E0E280L

E-29

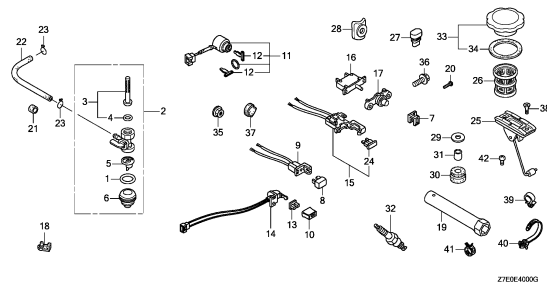
TOOL



Z7E0E290A

E-40

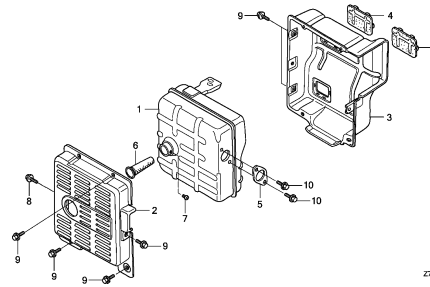
FUEL COCK/COMBINATION SWITCH



Z7E0E400G

E-40-1

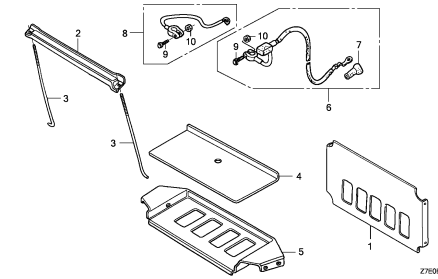
MUFFLER



Z7E0E4001

E-40-2

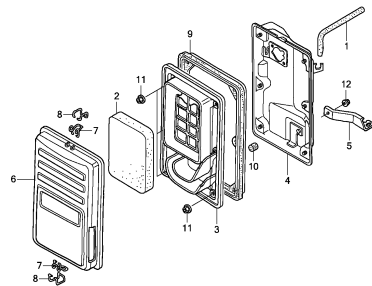
BATTERY TRAY



Z7E0E4002

E-40-3

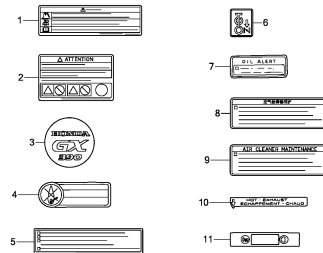
AIR CLEANER



Z7E0E4003

E-40-4

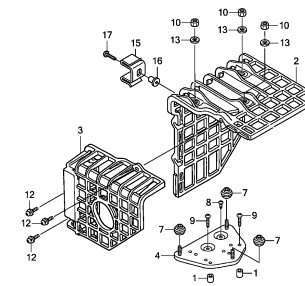
MARK



Z7E0E4004

EOP-2

MUFFLER COVER

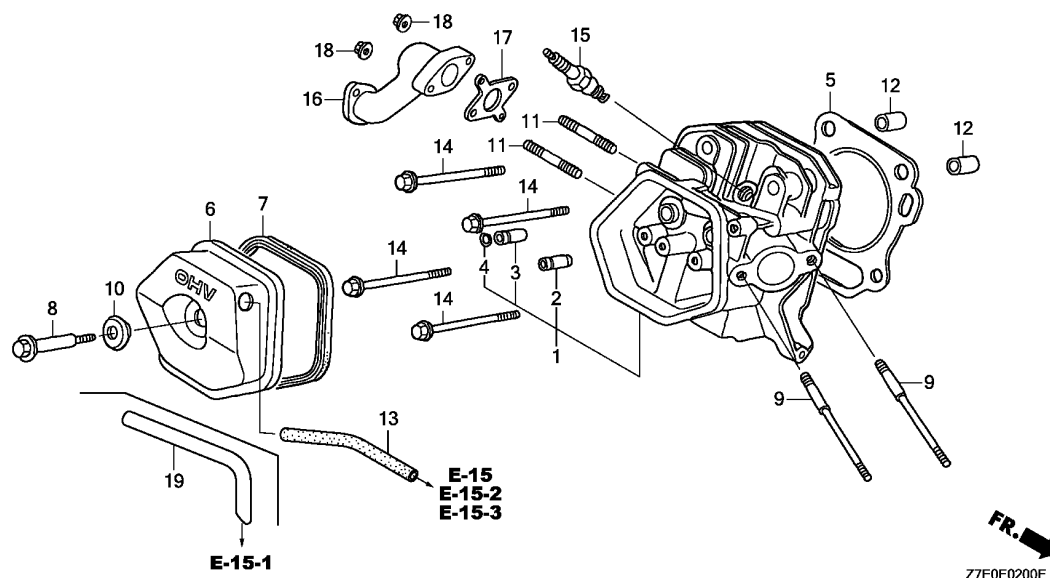


Z7E0E0200B

2

# E-2

# CYLINDER HEAD



Ref. No.	L.O.N.	(Relative ref. Number) Description	F.R.T.
1	1111N3	HEAD, CYLINDER .....	0.9
2	1111E9	GUIDE, INTAKE VALVE .....	0.8
		.INCLUDES: Valve clearance adjustment	
	1111E9E	.Replace intake and exhaust all add .....	0.2
3	1111E8	GUIDE, EXHAUST VALVE .....	0.8
		.INCLUDES: Valve clearance adjustment	
	1111E8E	.Replace intake and exhaust all add .....	0.2
5	1111N4	GASKET, CYLINDER HEAD .....	0.5
6		(7)	
	1111D5	CYLINDER HEAD COVER AND/OR PACKING .....	0.1
13		(19)	
	1111K5	TUBE, BREATHER .....	0.1
15	6141C1	PLUG, SPARK .....	0.1
		.INCLUDES: Spark plug check	
16	3131C9	PIPE, EXHAUST .....	0.2
17	3131B5	GASKET, EXHAUST PIPE .....	0.2

Ref. No.	Part No.	Description	Reqd. QTY		Serial No.	Parts catalogue code
			GX 390 H1	GX 390 H2		
1	12200-Z7E-000	HEAD COMP., CYLINDER .....	1	-	-----	EDF6,EDS2,ES2,ES3S,ES4S,LH,LH1,LH2,LHB5,LHP1,LXE9,PX,QA2,QBE1,QEBR,QH1,QHB1,QHB3,QHB5,QHBR,QHE,QHP1,QMH,QN,QP,QX,QXBR,QXE,QXEK,QXHQ,QXK SH,SH1,SHE,SM11,SWE2,SWX2,SX,SX1,SXC,SXC1,SXE,SXE1,VMQ3,VMT3,VPKK VPXE,VPXJ,VPXK,VPXX,VS4,VS6,VS6,VS4,VTE5,VX,VX1,VX1M,VXE,VXEK,VXEM,VXK VXKS,VXU1
	12200-ZF6-406	.....	1	-	-----	EDS1,EDT1,VPX4,VPXB
	12200-Z1C-406	.....	1	-	0001148	VSP
	12200-ZF6-406	.....	1	-	0001149	VSP
	12210-Z7E-405	.....	-	1	-----	
2	12204-ZE2-306	GUIDE, IN. VALVE(O.S.) .....	1	-	-----	EDF6,EDS1,EDS2,EDT1,ES3S,ES4S,LH,QA2,QH,QHE,QXHQ,SH,SHE,SM11,SX,SXC SXE,VPKK,VPX4,VPXB,VPXE,VPXJ,VPXK,VPXX,VSP,VX,VXEK,VXKS
	12204-Z7E-305	.....	1	-	-----	ES2,LH1,LH2,LHB5,LHP1,LXE9,PX,QBE1,QEBR,QH1,QHB1,QHB3,QHB5,QHBR,QHP1 QMH,QN,QP,QX,QXBR,QXE,QXEK,QXK,SH1,SWE2,SWX2,SX1,SXC1,SXE1,VMQ3,VMT3 VS4,VS6,VS6,VS4,VTE5,VX1,VX1M,VXE,VXEM,VXK,VXU1
	12204-ZE2-306	.....	-	1	-----	
3	12205-ZE2-305	GUIDE, EX. VALVE(O.S.) .....	1	-	-----	EDF6,EDS1,EDS2,EDT1,ES3S,ES4S,LH,QA2,QH,QHE,QXHQ,SH,SHE,SM11,SX,SXC SXE,VPKK,VPX4,VPXB,VPXE,VPXJ,VPXK,VPXX,VSP,VX,VXEK,VXKS
	12205-Z7E-305	.....	1	-	-----	ES2,LH1,LH2,LHB5,LHP1,LXE9,PX,QBE1,QEBR,QH1,QHB1,QHB3,QHB5,QHBR,QHP1 QMH,QN,QP,QX,QXBR,QXE,QXEK,QXK,SH1,SWE2,SWX2,SX1,SXC1,SXE1,VMQ3,VMT3 VS4,VS6,VS6,VS4,VTE5,VX1,VX1M,VXE,VXEM,VXK,VXU1
	12205-ZE2-305	.....	-	1	-----	
4	12216-ZE2-300	CLIP, VALVE GUIDE .....	1	1	-----	
5	12251-ZF6-W01	GASKET, CYLINDER HEAD .....	1	-	-----	EDF6,EDS2,ES2,LH1,LH2,LHB5,LHP1,LXE9,PX,QBE1,QEBR,QH1,QHB1,QHB3,QHB5 QHBR,QHE,QHP1,QMH,QN,QP,QX,QXBR,QXE,QXEK,QXK,SH1,SWE2,SWX2,SX1,SXC1 SXE1,VMQ3,VMT3,VPKK,VPXE,VPXJ,VPXK,VPXX,VS4,VS6,VS6,VS4,VTE5,VX1,VX1M VXE,VXEK,VXEM,VXK,VXKS,VXU1
	12251-ZF6-W00	.....	1	-	-----	EDS1,EDT1,ES3S,ES4S,LH,QA2,QH,QXHQ,SH,SHE,SM11,SX,SXC,SXE,VPX4,VPXB VX

# E-2

# CYLINDER HEAD

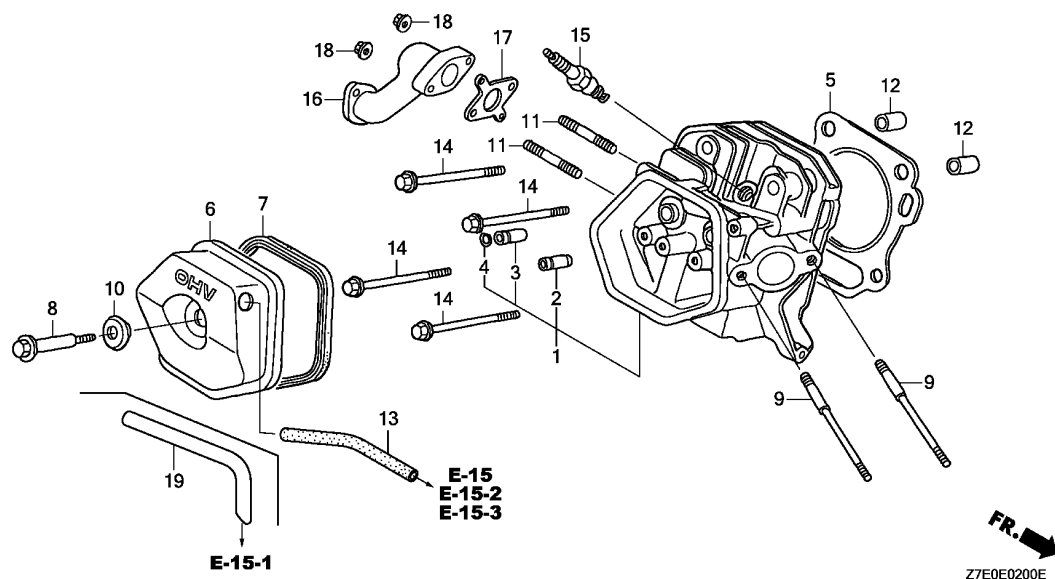
Ref. No.	Part No.	Description	Reqd. QTY		Serial No.	Parts catalogue code
			GX 390 H1	GX 390 H2		
(5)	12251-Z1C-801	GASKET, CYLINDER HEAD (THAI LEAKLESS)	1	-	0001148	VSP
	12251-ZF6-W00	GASKET, CYLINDER HEAD	1	-	0001149	VSP
	12251-Z5T-003	GASKET, CYLINDER HEAD (NIPPON LEAKLESS)	-	1		
6	12310-ZE2-020	COVER COMP., HEAD	1	1		
7	12391-ZE2-020	PACKING, HEAD COVER	1	1		
8	90014-ZE2-000	BOLT, HEAD COVER	1	1		
9	90042-ZE8-000	BOLT, STUD, 8X131.5	2	2		LH, LH1, LH2, LHB5, LHP1, LXE9, PX, QA2, QBE1, QEBR, QH, QH1, QHB1, QHB3, QHB5, QHBR, QHE, QHP1, QMH, QN, QP, QX, QXBR, QXE, QXEK, QXHQ, QXK, SH, SH1, SHE, SM11, SWE2, SWX2, SX, SX1, SXC, SXC1, SXE, SXE1, VSP, VTE5, VX, VX1, VX1M, VXE, VXEM, VXX, VXU1
	90042-ZE3-700	BOLT, STUD, 8X106	2	-		EDF6, EDS1, EDS2, EDT1, ES2, ES3S, ES4S, VMQ3, VMT3, VPKK, VPX4, VPXB, VPXE, VPXJ, VPXK, VPXX, VS4, VS6, VSB4, VXEK, VXKS
	90042-ZK6-D70	BOLT, STUD, 8X115	-	2		EDS1, EDS2, EDT1, ES2, VPKK, VPXB, VPXE, VPXK, VPXX, VXEK, VXKS
10	90441-ZE2-010	WASHER COMP., HEAD COVER	1	1		
11	92900-08032-0E	BOLT, STUD, 8X32	2	2		EDF6, EDS1, EDS2, EDT1, ES2, ES3S, ES4S, LH, LH1, LH2, LHB5, LHP1, LXE9, PX, QA2, QBE1, QEBR, QH, QH1, QHB1, QHB3, QHB5, QHBR, QHE, QHP1, QMH, QN, QP, QX, QXBR, QXE, QXEK, QXHQ, QXK, SH, SH1, SHE, SM11, SWE2, SWX2, SX, SX1, SXC, SXC1, SXE, SXE1, VMQ3, VMT3, VPX4, VPXB, VPXE, VPXJ, VPXK, VS4, VS6, VSB4, VSP, VTE5, VX, VX1, VX1M, VXE, VXEM, VXX, VXU1
	92900-08022-0E	BOLT, STUD, 8X22	2	2		VPKK, VPXX
12	94301-12200	DOWEL PIN, 12X20	2	2		
13	95005-11105-30	TUBE, 11X105(95005-11001-30M)	1	-		LH, LH1, LH2, LHB5, LHP1, LXE9, PX, QA2, QBE1, QEBR, QH, QH1, QHB1, QHB3, QHB5, QHBR, QHE, QHP1, QMH, QN, QP, QX, QXBR, QXE, QXEK, QXHQ, QXK, SH, SH1, SHE, SM11, SWE2, SWX2, SX, SX1, SXC, SXC1, SXE, SXE1, VSP, VTE5, VX, VX1, VX1M, VXE, VXEM, VXX, VXU1
	12357-Z5T-020	TUBE, BREATHER	-	1		LH, LH1, PX, QH, QH1, QHE, QMH, QN, QX, QXE, QXHQ, SH, SH1, SHE, SM11, SWX2, SX, SX1, SXC, SXC1, VTE5, VX, VX1, VX1M, VXE, VXEM
14	95701-10080-00	BOLT, FLANGE, 10X80	4	-		EDF6, EDS1, EDS2, EDT1, ES2, ES3S, ES4S, LH1, LH2, LHB5, LHP1, LXE9, PX, QA2, QBE1, QEBR, QH1, QHB1, QHB3, QHB5, QHBR, QHE, QHP1, QMH, QN, QP, QX, QXBR, QXE, QXEK, QXHQ, QXK, SH1, SWE2, SWX2, SX1, SXC1, SXE1, VMQ3, VMT3, VPKK, VPX4, VPXB, VPXE, VPXJ, VPXK, VPXX, VS4, VS6, VSB4, VSP, VTE5, VX1, VX1M, VXE, VXEK, VXEM, VXX, VXKS, VXU1
	95725-10080-00		4	-		LH, QH, SH
	95701-10080-00		4	-	0000517	SHE, SM11, SX, SXC, SXE, VX
	95701-10080-00		4	-	0000518	SHE, SM11, SX, SXC, SXE, VX
	95701-10080-00		-	4		
15	98079-55846	PLUG, SPARK(BPR5ES)(NGK)	1	1		EDF6, EDS1, EDS2, EDT1, ES2, ES3S, ES4S, VMQ3, VMT3, VS4, VS6, VSB4
	98079-55876		(1)	(1)		ES2, VMQ3, VMT3, VS4, VS6, VSB4, VSP
	98079-56846	PLUG, SPARK(BPR6ES)(NGK)	1	1		LH, LH1, LH2, LHB5, LHP1, LXE9, PX, QA2, QBE1, QEBR, QH, QH1, QHB1, QHB3, QHB5, QHBR, QHE, QHP1, QMH, QN, QP, QX, QXBR, QXE, QXEK, QXHQ, QXK, SH, SH1, SHE, SM11, SWE2, SWX2, SX, SX1, SXC, SXC1, SXE, SXE1, VPKK, VPX4, VPXB, VPXE, VPXJ, VPXK, VPXX, VSP, VTE5, VX, VX1, VX1M, VXE, VXEK, VXEM, VXX, VXKS, VXU1
	98079-55846	PLUG, SPARK(BPR5ES)(NGK)	(1)	(1)		LH, LH1, LH2, LHB5, LHP1, LXE9, PX, QA2, QBE1, QEBR, QH, QH1, QHB1, QHB3, QHB5, QHBR, QHE, QHP1, QMH, QN, QP, QX, QXBR, QXE, QXEK, QXHQ, QXK, SH, SH1, SHE, SM11, SWE2, SWX2, SX, SX1, SXC, SXC1, SXE, SXE1, VPKK, VPX4, VPXB, VPXE, VPXJ, VPXK, VPXX, VTE5, VX, VX1, VX1M, VXE, VXEK, VXEM, VXX, VXKS, VXU1
	98079-55855	PLUG, SPARK(W16EPR-U)(DENSO)	1	-		EDF6
	98079-55855		(1)	-		EDS1, EDS2, EDT1, ES2, ES3S, ES4S, LH, QA2, QH, QHE, QXHQ, SH, SHE, SM11, SX, SXC, SXE, VMQ3, VMT3, VPKK, VPX4, VPXB, VPXE, VPXJ, VPXK, VPXX, VS4, VS6, VSB4, VX, VXEK, VXKS
	98079-56855	PLUG, SPARK(W20EPR-U)(DENSO)	1	-		QA2, VPKK, VPX4, VPXB, VPXE, VPXJ, VPXK, VPXX, VXEK, VXKS
	98079-55855	PLUG, SPARK(W16EPR-U)(DENSO)	-	(1)		LH, QH, QHE, QXHQ, SH, SHE, SM11, SX, SXC, VPKK, VPXB, VPXE, VPXK, VPXX, VX, VXEK, VXKS
16	18330-ZE3-710	PIPE, EX.	1	1		EDF6, EDS1, EDS2, EDT1, ES2, ES3S, ES4S, VMT3, VS4, VS6, VSB4
	18330-ZE3-700		1	-		VMQ3





# E-2

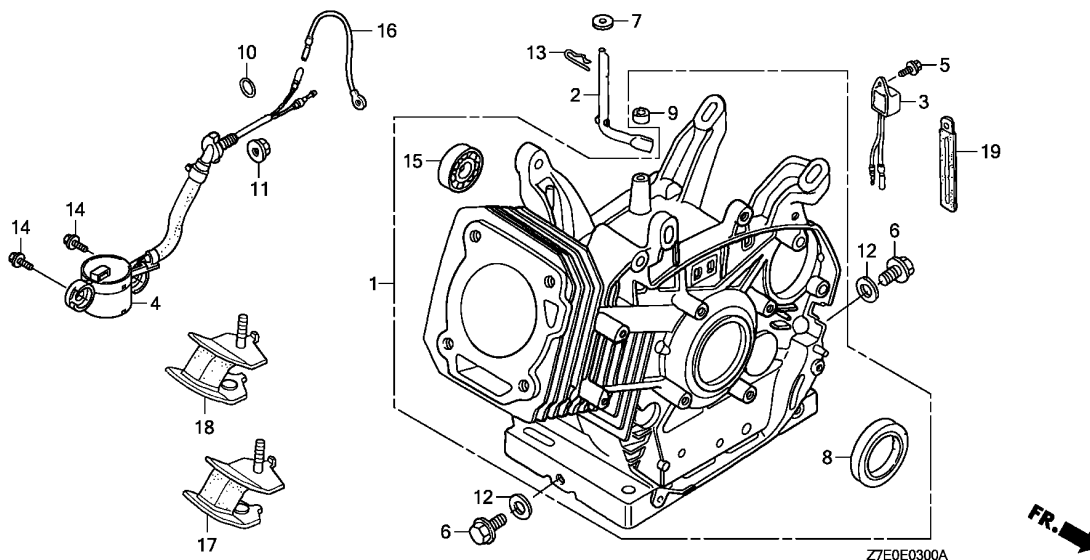
# CYLINDER HEAD



Ref. No.	Part No.	Description	Reqd. QTY		Serial No.	Parts catalogue code
			GX 390 H1	GX 390 H2		
17	18333-ZF6-W01	GASKET, EX. PIPE .....	1	-	-----	EDF6,EDS1,EDS2,EDT1,ES2,ES3S,ES4S,VMQ3,VMT3,VS4,VS6,USB4
18	94050-08000	NUT, FLANGE, 8MM .....	-	1	-----	EDS1,EDS2,EDT1,ES2,VPKK,VPXE,VPXK,VPXX
19	15721-ZB4-000	TUBE, BREATHER .....	1	-	-----	EDF6,EDS1,EDS2,EDT1,ES2,ES3S,ES4S,VMQ3,VMT3,VS4,VS6,USB4
	15721-Z23-H60	.....	-	1	-----	EDF6,EDS1,EDS2,EDT1,ES3S,ES4S,VPKK,VPX4,VPXB,VPXE,VPXJ,VPXK,VPXX,VXEK VXKS
					-----	EDS1,EDS2,EDT1,ES2,VPKK,VPXB,VPXE,VPXK,VPXX,VXEK,VXKS

# E-3

# CYLINDER BARREL



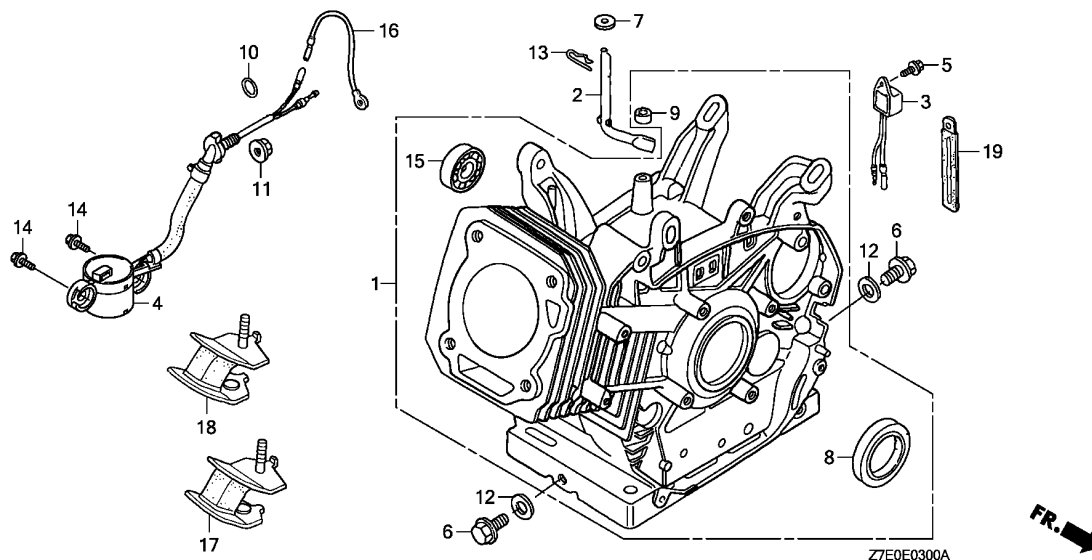
Ref. No.	L.O.N.	(Relative ref. Number) Description	F.R.T.
1	1101A0	BARREL, CYLINDER .....	1.8
2	1161B4	SHAFT, GOVERNOR ARM .....	0.9
3	6151A0	ALERT UNIT, ENGINE OIL .....	0.1
4		(10)	
	6151E8	SWITCH, OIL LEVEL .....	0.5
8	1101E4	OIL SEAL, CRANKSHAFT :FRONT ..	1.8
9	1101C4	OIL SEAL, GOVERNOR ARM SHAFT ..	0.9
15	1101F4	BEARING, BALANCER WEIGHT :FRONT .....	1.9

Ref. No.	Part No.	Description	Reqd. QTY		Serial No.	Parts catalogue code
			GX 390 H1	GX 390 H2		
1	12000-Z7E-408	BARREL ASSY., CYLINDER (SELFSTARTER+ALERT)	1	-	EDF6,QHE,SHE,SWE2	
	12000-Z7E-407	.....	1	-	EDS1,EDS2,ES4S,LXE9,QBE1,QEBR,QXE,QXEK,SXE,SXE1,VMT3,VPKK,VPXE,VPXJ,VPXK,VPXX,VS6,VTE5,VXE,VXEK,VXEM,VXK,VXU1	
	12000-Z7E-406	BARREL ASSY., CYLINDER(ALERT)	1	-	EDT1,ES2,ES3S,PX,QA2,QX,QXBR,QXHQ,QXK,SWX2,SX,SX1,SXC,SXC1,VMQ3,VPX4,VPXB,VS4,VS6,VSP,VX,VX1,VX1M,VXKS	
	12000-Z7E-405	BARREL ASSY., CYLINDER .....	1	-	LH,LH1,LH2,LHB5,LHP1,QH,QH1,QHB1,QHB3,QHB5,QHBR,QHP1,QMH,QN,QP,SH,SH1,SM11	
	12000-Z5T-405	BARREL ASSY., CYLINDER (SELFSTARTER+ALERT)	-	1	EDS1,EDS2,QXE,VPKK,VPXE,VPXK,VPXX,VTE5,VXE,VXEK,VXEM	
	12000-Z5T-407	BARREL ASSY., CYLINDER(ALERT)	-	1	EDT1,ES2,PX,QX,QXHQ,SWX2,SX,SX1,SXC,SXC1,VPXB,VX,VX1,VX1M,VXKS	
	12000-Z5T-406	BARREL ASSY., CYLINDER .....	-	1	LH,LH1,QH,QH1,QMH,QN,SH,SH1,SM11	
	12000-Z5T-408	.....	-	1	QHE,SHE	
2	16541-Z7E-000	SHAFT, GOVERNOR ARM .....	1	-	EDF6,EDS2,ES2,ES3S,ES4S,LH,LH1,LH2,LHB5,LHP1,LXE9,PX,QA2,QBE1,QEBR,QH,QH1,QHB1,QHB3,QHB5,QHBR,QHE,QHP1,QMH,QN,QP,QX,QXBR,QXE,QXEK,QXHQ,QXK,SH,SH1,SHE,SM11,SWE2,SWX2,SX,SX1,SXC,SXC1,SXE,SXE1,VMQ3,VMT3,VPKK,VPXB,VPXE,VPXJ,VPXK,VPXX,VS4,VS6,VS6,VS4,VTE5,VX,VX1,VX1M,VXE,VXEK,VXEM,VXK,VXKS,VXU1	
	16541-ZE3-010	.....	1	-	0001591 EDS1,EDT1	
		.....	1	-	0001966 VPX4,VSP	
	16541-Z7E-000	.....	1	-	0001592 EDS1,EDT1	
		.....	1	-	0001967 VPX4,VSP	
		.....	-	1		
3	34150-ZH7-023	ALERT UNIT, OIL .....	1	-	EDF6,EDS2,QXBR,VPKK,VPXJ,VPXK,VPXX,VX1M,VXEK,VXKS	
	34150-ZH7-013	.....	1	-	0303719 EDS1,EDT1,ES2,ES3S,ES4S,PX,QA2,QX,QXHQ,QXK,SWX2,SX,SX1,SXC,SXC1,VMQ3,VPX4,VPXB,VPXE,VS4,VS6,VS6,VS4,VSP,VX,VX1	
	34150-ZH7-023	.....	1	-	0303720 EDS1,EDT1,ES2,ES3S,ES4S,PX,QA2,QX,QXHQ,QXK,SWX2,SX,SX1,SXC,SXC1,VMQ3,VPX4,VPXB,VPXE,VS4,VS6,VS6,VS4,VSP,VX,VX1	



E-3

CYLINDER BARREL



Ref. No.	Part No.	Description	Reqd. QTY		Serial No.	Parts catalogue code
			GX 390 H1	GX 390 H2		
4	35480-Z7E-003	SWITCH ASSY., OIL LEVEL .....	1	1	-----	EDF6,EDS1,EDS2,EDT1,ES2,ES3S,ES4S,LXE9,PX,QA2,QEBR,QX,QXBR,QXE,QXEK,QXHQ,QXK,SWX2,SX,SX1,SXC,SXC1,SXE,SXE1,VMQ3,VMT3,VPKK,VPX4,VPXB,VPXE,VPXJ,VPXK,VPXX,VS4,VS6,VSB4,VTE5,VX,VX1,VX1M,VXE,VXEK,VXEM,VXK,VXKS,VXU1
	35480-ZF6-003	.....	1	-	0013634	VSP
	35480-Z7E-003	.....	1	-	0013635	VSP
5	90013-883-000	BOLT, FLANGE, 6X12(CT200) ...	1	-	-----	EDF6,EDS1,EDS2,EDT1,ES2,ES3S,ES4S,PX,QA2,QX,QXBR,QXHQ,QXK,SWX2,SX,SX1,SXC,SXC1,VMQ3,VPKK,VPX4,VPXB,VPXE,VPXJ,VPXK,VPXX,VS4,VS6,VSB4,VSP,VX,VX1,VX1M,VXEK,VXKS
6	90131-883-000	BOLT, DRAIN PLUG, 12X15 .....	2	2	-----	
7	90446-Z7E-000	WASHER, 8.2X17X0.8 .....	1	-	-----	EDF6,EDS2,ES2,ES3S,ES4S,LH,LH1,LH2,LHB5,LHP1,LXE9,PX,QA2,QBE1,QEBR,QH,QH1,QHB1,QHB3,QHB5,QHBR,QHE,QHP1,QMH,QN,QP,QX,QXBR,QXE,QXEK,QXHQ,QXK,SH,SH1,SHE,SM11,SWE2,SWX2,SX,SX1,SXC,SXC1,SXE,SXE1,VMQ3,VMT3,VPKK,VPXB,VPXE,VPXJ,VPXK,VPXX,VS4,VS6,VSB4,VTE5,VX,VX1,VX1M,VXE,VXEK,VXEM,VXK,VXKS,VXU1
	90446-KE1-000	.....	1	-	0001591	EDS1,EDT1,VPX4,VSP
	90446-Z7E-000	.....	1	-	0001592	EDS1,EDT1,VPX4,VSP
		.....	-	1		
8	91201-Z7E-003	OIL SEAL, 35X52X8 .....	1	-	-----	EDF6,EDS2,ES2,ES3S,ES4S,LH,LH1,LH2,LHB5,LHP1,LXE9,PX,QA2,QBE1,QEBR,QH,QH1,QHB1,QHB3,QHB5,QHBR,QHE,QHP1,QMH,QN,QP,QX,QXBR,QXE,QXEK,QXHQ,QXK,SH,SH1,SHE,SM11,SWE2,SWX2,SX,SX1,SXC,SXC1,SXE,SXE1,VMQ3,VMT3,VPKK,VPXB,VPXE,VPXJ,VPXK,VPXX,VS4,VS6,VSB4,VTE5,VX,VX1,VX1M,VXE,VXEK,VXEM,VXK,VXKS,VXU1
	91201-ZE3-004	OIL SEAL, 35X52X8(ARAI) .....	1	-	-----	EDS1,EDT1
	91201-Z1C-003	OIL SEAL, 35X52X8(NOK) .....	1	-	0001591	VPX4
	91201-Z7E-003	OIL SEAL, 35X52X8 .....	1	-	0001592	VSP
	91201-Z1C-003	OIL SEAL, 35X52X8(NOK) .....	-	1		VPX4,VSP

E-3

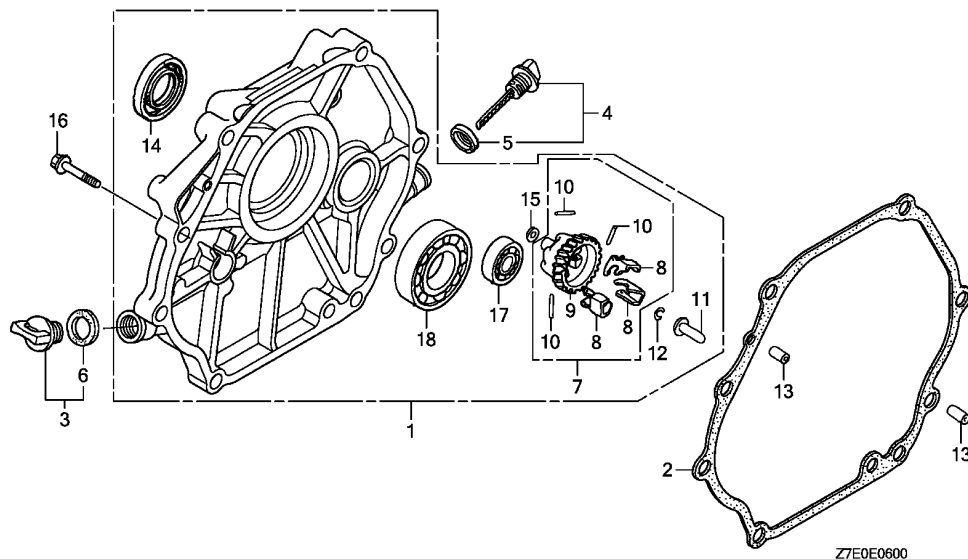
CYLINDER BARREL

Ref. No.	Part No.	Description	Reqd. QTY		Serial No.	Parts catalogue code
			GX 390 H1	GX 390 H2		
(8)	91201-27E-003	OIL SEAL, 35X52X8 .....	-	1		
9	91203-27E-003	OIL SEAL, 8X14X5 .....	1	-	-----	EDF6,EDS2,ES2,ES3S,ES4S,LH,LH1,LH2,LHB5,LHP1,LXE9,PX,QA2,QBE1,QEBR,QH,QH1,QHB1,QHB3,QHB5,QHBR,QHE,QHP1,QMH,QN,QP,QX,QXBR,QXE,QXEK,QXHQ,QXK,SH,SH1,SHE,SM11,SWE2,SWX2,SX,SX1,SXC,SXC1,SXE,SXE1,VMQ3,VMT3,VPKK,VPXB,VPXE,VPXJ,VPXK,VPXX,VS4,VS6,USB4,VTE5,VX,VX1,VX1M,VXE,VXEK,VXEM,VXK,VXKS,VXU1
	91203-952-771	.....	1	-	-----	0001591 EDS1,EDT1,VPX4,VSP
	91203-27E-003	.....	1	-	0001592 -----	EDS1,EDT1,VPX4,VSP
	91203-952-771	.....	-	1		
	91203-27E-003	.....	-	1		
10	91353-27E-003	O-RING, 14MM .....	1	1	-----	EDF6,EDS1,EDS2,EDT1,ES2,ES3S,ES4S,LXE9,PX,QA2,QEBR,QX,QXBR,QXE,QXEK,QXHQ,QXK,SWX2,SX,SX1,SXC,SXC1,SXE,SXE1,VMQ3,VMT3,VPKK,VPX4,VPXB,VPXE,VPXJ,VPXK,VPXX,VS4,VS6,USB4,VTE5,VX,VX1,VX1M,VXE,VXEK,VXEM,VXK,VXKS,VXU1
	91353-671-004	O-RING, 14MM(NOK) .....	1	-	-----	0001591 VSP
	91353-27E-003	O-RING, 14MM .....	1	-	0001592 -----	VSP
11	94050-10000	NUT, FLANGE, 10MM .....	1	1	-----	EDF6,EDS1,EDS2,EDT1,ES2,ES3S,ES4S,LXE9,PX,QA2,QEBR,QX,QXBR,QXE,QXEK,QXHQ,QXK,SWX2,SX,SX1,SXC,SXC1,SXE,SXE1,VMQ3,VMT3,VPKK,VPX4,VPXB,VPXE,VPXJ,VPXK,VPXX,VS4,VS6,USB4,VSP,VTE5,VX,VX1,VX1M,VXE,VXEK,VXEM,VXK,VXKS,VXU1
12	94109-12000	WASHER, DRAIN PLUG, 12MM ....	2	2		
13	94251-10000	PIN, LOCK, 10MM .....	1	1		
14	95701-06012-00	BOLT, FLANGE, 6X12 .....	2	2	-----	EDF6,EDS1,EDS2,EDT1,ES2,ES3S,ES4S,LXE9,PX,QA2,QEBR,QX,QXBR,QXE,QXEK,QXHQ,QXK,SWX2,SX,SX1,SXC,SXC1,SXE,SXE1,VMQ3,VMT3,VPKK,VPX4,VPXB,VPXE,VPXJ,VPXK,VPXX,VS4,VS6,USB4,VSP,VTE5,VX,VX1,VX1M,VXE,VXEK,VXEM,VXK,VXKS,VXU1
15	96100-62020-00	BEARING, RADIAL BALL, 6202 ..	1	1		
16	31161-ZE2-000	CORD, EARTH .....	1	1	-----	ES2,ES3S,ES4S,VS4,VS6,USB4
17	68325-ZC2-000	RUBBER, BOTTOM .....	2	2	-----	ES2,ES3S,ES4S,VS4,VS6,USB4
18	68325-899-000	RUBBER, BOTTOM .....	2	2	-----	ES2,ES3S,ES4S,VS4,VS6,USB4
19	91406-166-000	CLIP, WIRE .....	1	-	-----	ES4S,VMT3,VS6

2

E-6

CRANKCASE COVER(1)



Ref. No.	L.O.N.	(Relative ref. Number) Description	F.R.T.
1	1101F1	COVER, CRANKCASE .....	0.2
2	1101E9	PACKING, CRANKCASE COVER .....	0.2
7	1161C4	GOVERNOR ASSEMBLY .....	0.3
9		(8,10)	
	1161A7	HOLDER, GOVERNOR WEIGHT .....	0.4
11	1161B6	SLIDER, GOVERNOR .....	0.3
14	1101E5	OIL SEAL, CRANKSHAFT :REAR ...	0.3
17	1101F5	BEARING, BALANCER WEIGHT :REAR	0.4
18	1101A6	BEARING, CRANKSHAFT :REAR .....	0.4

Ref. No.	Part No.	Description	Reqd. QTY		Serial No.	Parts catalogue code
			GX 390 H1	GX 390 H2		
1	11300-Z7E-P70 11300-Z7E-800	COVER ASSY., CRANKCASE .....	1	1	-----	EDF6,EDS2,VS4,VS6 PX,QA2,QBE1,QEBR,QH,QH1,QHB1,QHB3,QHB5,QHBR,QHE,QHP1,QMH,QN,QP,QX QXBR,QXE,QXEK,QXHQ,QXK,VMQ3,VPKK,VPXB,VPXE,VPXJ,VPXK,VPXX,VS4,VS6,VS8 VX,VX1,VX1M,VXE,VXEK,VXEM,VXK,VXKS,VXU1
	11300-ZE3-P70 11300-Z7E-000 11300-ZE3-604 11300-ZE3-040 11300-Z1C-600 11300-Z7E-000 11300-ZE3-604 11300-Z7E-000	..... ..... ..... ..... ..... ..... ..... .....	1 1 1 1 1 1 1 -	- - - - - - - 1	----- ----- ----- ----- ----- ----- ----- -----	ES3S,ES4S SH,SH1,SHE,SM11,SWE2,SWX2,SX,SX1,SXC,SXC1,SXE,SXE1 VPX4 0000026 EDS1,EDT1 0001148 VSP EDS1,EDT1 0001149 VSP EDS1,EDT1,SH,SH1,SHE,SM11,SWX2,SX,SX1,SXC,SXC1
2	11381-Z7E-701	PACKING, CASE COVER (NINGBO SIL GASKET)	1	1	-----	EDF6,EDS1,EDS2,EDT1,ES3S,ES4S,PX,QA2,QBE1,QEBR,QH,QH1,QHB1,QHB3,QHB5 QHBR,QHE,QHP1,QMH,QN,QP,QX,QXBR,QXE,QXEK,QXHQ,QXK,SH,SH1,SHE,SM11 SWE2,SWX2,SX,SX1,SXC,SXC1,SXE,SXE1,VMQ3,VPKK,VPX4,VPXB,VPXE,VPXJ,VPXK VPXX,VS4,VS6,VS8,VSP,VTE5,VX,VX1,VX1M,VXE,VXEK,VXEM,VXK,VXKS,VXU1
	11381-ZE3-801	PACKING, CASE COVER .....	1	-	-----	EDF6,EDS1,EDS2,EDT1,ES3S,ES4S,PX,QA2,QBE1,QEBR,QH,QH1,QHB1,QHB3,QHB5 QHBR,QHE,QHP1,QMH,QN,QP,QX,QXBR,QXE,QXEK,QXHQ,QXK,SH,SH1,SHE,SM11 SWE2,SWX2,SX,SX1,SXC,SXC1,SXE,SXE1,VMQ3,VPKK,VPX4,VPXB,VPXE,VPXJ,VPXK VPXX,VS4,VS6,VS8,VSP,VTE5,VX,VX1,VX1M,VXE,VXEK,VXEM,VXK,VXKS,VXU1
	11381-Z5T-000	PACKING, CRANKCASE COVER .....	-	1	-----	EDS1,EDS2,EDT1,PX,QH,QH1,QHE,QMH,QN,QP,QXE,QXHQ,SH,SH1,SHE,SM11,SWX2 SX,SX1,SXC,SXC1,VPKK,VPXB,VPXE,VPXK,VPXX,VTE5,VX,VX1,VX1M,VXE,VXEK VXEM,VXKS
3	15600-Z1T-600	CAP ASSY., OIL FILLER .....	1	-	-----	EDF6,EDS2,ES3S,ES4S,PX,QA2,QBE1,QEBR,QH,QH1,QHB1,QHB3,QHB5,QHBR,QHE QHP1,QMH,QN,QP,QX,QXBR,QXE,QXEK,QXHQ,QXK,SH,SH1,SHE,SM11,SWE2,SWX2,SX SX1,SXC,SXC1,SXE,SXE1,VMQ3,VPKK,VPXB,VPXE,VPXJ,VPXK,VPXX,VS4,VS6,VS8 VTE5,VX,VX1,VX1M,VXE,VXEK,VXEM,VXK,VXKS,VXU1

E-6

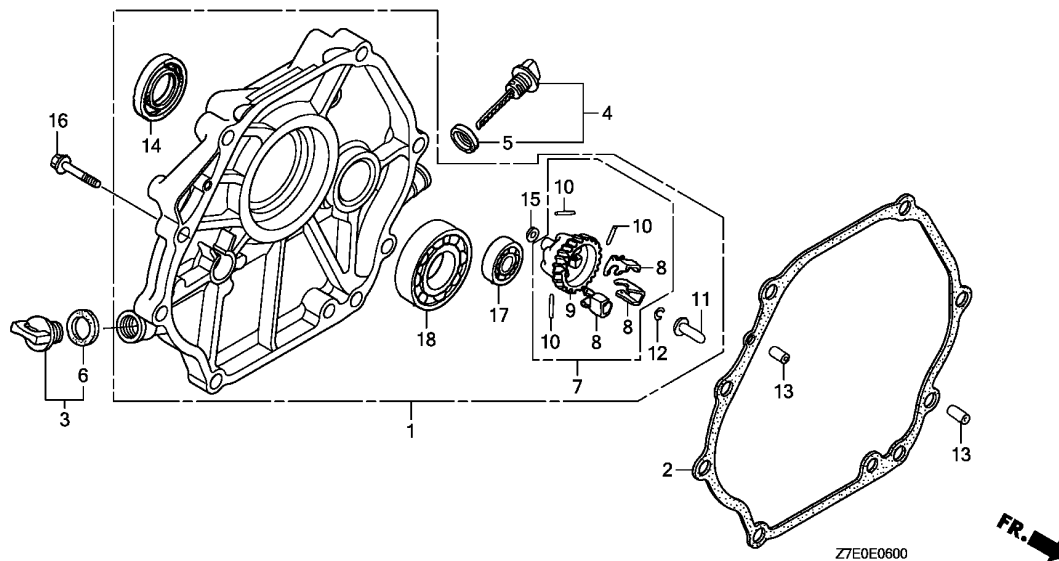
CRANKCASE COVER(1)

Ref. No.	Part No.	Description	Reqd. QTY		Serial No.	Parts catalogue code
			GX 390 H1	GX 390 H2		
(3)	15600-ZG4-003	CAP ASSY., OIL FILLER .....	1	-	0001148	EDS1,EDT1
	15600-Z0T-820	CAP ASSY., OIL FILLER(BLACK)	1	-	0002100	VPX4
	15600-Z1T-600	CAP ASSY., OIL FILLER .....	1	-	0002100	VSP
			1	-	0001149	EDS1,EDT1
			1	-	0002101	VPX4,VSP
			-	1		EDS1,EDS2,EDT1,PX,QH,QH1,QHE,QMH,QN,QX,QXE,QXHQ,SH,SH1,SHE,SM11,SWX2,SX, SX1,SXC,SXC1,VPKK,VPXB,VPXE,VPXK,VPXX,VTE5,VX,VX1,VX1M,VXE,VXEK,VXEM,VXKS
4	15600-Z7E-000	CAP ASSY., OIL FILLER .....	1	-		EDF6,EDS2,ES3S,ES4S,PX,QA2,QBE1,QEBR,QH,QH1,QHB1,QHB3,QHB5,QHBR,QHE,QHP1,QMH,QN,QP,QX,QXBR,QXE,QXEK,QXHQ,QXK,SH,SH1,SHE,SM11,SWE2,SWX2,SX, SX1,SXC,SXC1,SXE,SXE1,VMQ3,VPKK,VPXB,VPXE,VPXJ,VPXK,VPXX,VS4,VS6,VSB4,VTE5,VX,VX1,VX1M,VXE,VXEK,VXEM,VXK,VXKS,VXU1
	15600-735-003	.....	1	-	0002100	EDS1,EDT1,VPX4
	15600-Z1C-000	.....	1	-	0002100	VSP
	15600-Z7E-000	.....	1	-	0002101	EDS1,EDT1,VPX4,VSP
			-	1		EDS1,EDS2,EDT1,PX,QH,QH1,QHE,QMH,QN,QX,QXE,QXHQ,SH,SH1,SHE,SM11,SWX2,SX, SX1,SXC,SXC1,VPKK,VPXB,VPXE,VPXK,VPXX,VTE5,VX,VX1,VX1M,VXE,VXEK,VXEM,VXKS
5	15625-Z0T-800	PACKING, OIL FILLER CAP .....	1	-		EDF6,EDS2,ES3S,ES4S,PX,QA2,QBE1,QEBR,QH,QH1,QHB1,QHB3,QHB5,QHBR,QHE,QHP1,QMH,QN,QP,QX,QXBR,QXE,QXEK,QXHQ,QXK,SH,SH1,SHE,SM11,SWE2,SWX2,SX, SX1,SXC,SXC1,SXE,SXE1,VMQ3,VPKK,VPXB,VPXE,VPXJ,VPXK,VPXX,VS4,VS6,VSB4,VSP,VTE5,VX,VX1,VX1M,VXE,VXEK,VXEM,VXK,VXKS,VXU1
	15625-ZE1-003	.....	1	-	0002100	EDS1,EDT1,VPX4
	15625-Z0T-800	.....	1	-	0002101	EDS1,EDT1,VPX4
				-	1	
6	15625-Z1T-000	PACKING, OIL FILLER CAP .....	1	-		EDF6,EDS2,ES3S,ES4S,PX,QA2,QBE1,QEBR,QH,QH1,QHB1,QHB3,QHB5,QHBR,QHE,QHP1,QMH,QN,QP,QX,QXBR,QXE,QXEK,QXHQ,QXK,SH,SH1,SHE,SM11,SWE2,SWX2,SX, SX1,SXC,SXC1,SXE,SXE1,VMQ3,VPKK,VPXB,VPXE,VPXJ,VPXK,VPXX,VS4,VS6,VSB4,VTE5,VX,VX1,VX1M,VXE,VXEK,VXEM,VXK,VXKS,VXU1
	15625-ZE1-003	.....	1	-	0001148	EDS1,EDT1
			1	-	0002100	VPX4
	15625-Z0T-800	.....	1	-	0002100	VSP
	15625-Z1T-000	.....	1	-	0001149	EDS1,EDT1
				-	1	
7	16510-Z7E-000	GOVERNOR ASSY. ....	1	-		EDF6,EDS2,PX,QA2,QBE1,QEBR,QH,QH1,QHB1,QHB3,QHB5,QHBR,QHE,QHP1,QMH,QN,QP,QX,QXBR,QXE,QXEK,QXHQ,QXK,SH,SH1,SHE,SM11,SWE2,SWX2,SX, SX1,SXC,SXC1,SXE,SXE1,VMQ3,VPKK,VPXB,VPXE,VPXJ,VPXK,VPXX,VS4,VS6,VSB4,VTE5,VX,VX1,VX1M,VXE,VXEK,VXEM,VXK,VXKS,VXU1
	16510-ZE3-000	.....	1	-		ES3S,ES4S,VPX4,VSP
	16510-Z7E-000	.....	1	-	0001591	EDS1,EDT1
				-	1	
8	16511-ZE8-000	WEIGHT, GOVERNOR .....	3	3		EDF6,EDS1,EDS2,EDT1,ES3S,ES4S,PX,QA2,QBE1,QEBR,QH,QH1,QHB1,QHB3,QHB5,QHBR,QHE,QHP1,QMH,QN,QP,QX,QXBR,QXE,QXEK,QXHQ,QXK,SH,SH1,SHE,SM11,SWE2,SWX2,SX, SX1,SXC,SXC1,SXE,SXE1,VMQ3,VPKK,VPX4,VPXB,VPXE,VPXJ,VPXK,VPXX,VS4,VS6,VSB4,VSP,VTE5,VX,VX1,VX1M,VXE,VXEK,VXEM,VXK,VXKS,VXU1
9	16512-Z7E-000	HOLDER, GOVERNOR WEIGHT .....	1	-		EDF6,EDS2,PX,QA2,QBE1,QEBR,QH,QH1,QHB1,QHB3,QHB5,QHBR,QHE,QHP1,QMH,QN,QP,QX,QXBR,QXE,QXEK,QXHQ,QXK,SH,SH1,SHE,SM11,SWE2,SWX2,SX, SX1,SXC,SXC1,SXE,SXE1,VMQ3,VPKK,VPXB,VPXE,VPXJ,VPXK,VPXX,VS4,VS6,VSB4,VTE5,VX,VX1,VX1M,VXE,VXEK,VXEM,VXK,VXKS,VXU1



E-6

CRANKCASE COVER(1)



Ref. No.	Part No.	Description	Reqd. QTY		Serial No.	Parts catalogue code
			GX 390 H1	GX 390 H2		
(9)	16512-ZE3-000	HOLDER, GOVERNOR WEIGHT .....	1	-	-----	ES3S,ES4S,VPX4,VSP
	16512-Z7E-000	.....	1	-	0001591	EDS1,EDT1
			-	1	0001592	EDS1,EDT1
						EDS1,EDS2,EDT1,PX,QH,QH1,QHE,QMH,QN,QX,QXE,QXHQ,SH,SH1,SHE,SM11,SWX2,SX,SX1,SXC,SXC1,VPKK,VPXB,VPXE,VPXK,VPXX,VTE5,VX,VX1,VX1M,VXE,VXEK,VXEM,VXKS
10	16513-ZE2-000	PIN, GOVERNOR WEIGHT .....	3	3	-----	EDF6,EDS1,EDS2,EDT1,ES3S,ES4S,PX,QA2,QBE1,QEBR,QH,QH1,QHB1,QHB3,QHB5,QHBR,QHE,QHP1,QMH,QN,QP,QX,QXBR,QXE,QXEK,QXHQ,QXK,SH,SH1,SHE,SM11,SWE2,SWX2,SX,SX1,SXC,SXC1,SXE,SXE1,VMQ3,VPKK,VPX4,VPXB,VPXE,VPXJ,VPXK,VPXX,VS4,VS6,VS4,VS6,VS4,VS6,VSP,VTE5,VX,VX1,VX1M,VXE,VXEK,VXEM,VXK,VXKS,VXU1
11	16531-Z0A-000	SLIDER, GOVERNOR .....	1	1	-----	EDF6,EDS1,EDS2,EDT1,ES3S,ES4S,PX,QA2,QBE1,QEBR,QH,QH1,QHB1,QHB3,QHB5,QHBR,QHE,QHP1,QMH,QN,QP,QX,QXBR,QXE,QXEK,QXHQ,QXK,SH,SH1,SHE,SM11,SWE2,SWX2,SX,SX1,SXC,SXC1,SXE,SXE1,VMQ3,VPKK,VPX4,VPXB,VPXE,VPXJ,VPXK,VPXX,VS4,VS6,VS4,VS6,VSP,VTE5,VX,VX1,VX1M,VXE,VXEK,VXEM,VXK,VXKS,VXU1
12	90602-ZE1-000	CLIP, GOVERNOR HOLDER .....	1	1	-----	EDF6,EDS1,EDS2,EDT1,ES3S,ES4S,PX,QA2,QBE1,QEBR,QH,QH1,QHB1,QHB3,QHB5,QHBR,QHE,QHP1,QMH,QN,QP,QX,QXBR,QXE,QXEK,QXHQ,QXK,SH,SH1,SHE,SM11,SWE2,SWX2,SX,SX1,SXC,SXC1,SXE,SXE1,VMQ3,VPKK,VPX4,VPXB,VPXE,VPXJ,VPXK,VPXX,VS4,VS6,VS4,VS6,VSP,VTE5,VX,VX1,VX1M,VXE,VXEK,VXEM,VXK,VXKS,VXU1
13	90701-Z7E-000	DOWEL PIN, 8X12 .....	2	-	-----	EDF6,EDS2,ES3S,ES4S,PX,QA2,QBE1,QEBR,QH,QH1,QHB1,QHB3,QHB5,QHBR,QHE,QHP1,QMH,QN,QP,QX,QXBR,QXE,QXEK,QXHQ,QXK,SH,SH1,SHE,SM11,SWE2,SWX2,SX,SX1,SXC,SXC1,SXE,SXE1,VMQ3,VPKK,VPXB,VPXE,VPXJ,VPXK,VPXX,VS4,VS6,VS4,VS6,VSP,VTE5,VX,VX1,VX1M,VXE,VXEK,VXEM,VXK,VXKS,VXU1
	90701-HC4-000	.....	2	-	0001591	EDS1,EDT1,VPX4,VSP
	90701-Z7E-000	.....	2	-	0001592	EDS1,EDT1,VPX4,VSP
			-	2	-----	EDS1,EDS2,EDT1,PX,QH,QH1,QHE,QMH,QN,QX,QXE,QXHQ,SH,SH1,SHE,SM11,SWX2,SX,SX1,SXC,SXC1,VPKK,VPXB,VPXE,VPXK,VPXX,VTE5,VX,VX1,VX1M,VXE,VXEK,VXEM,VXKS

E-6

CRANKCASE COVER(1)

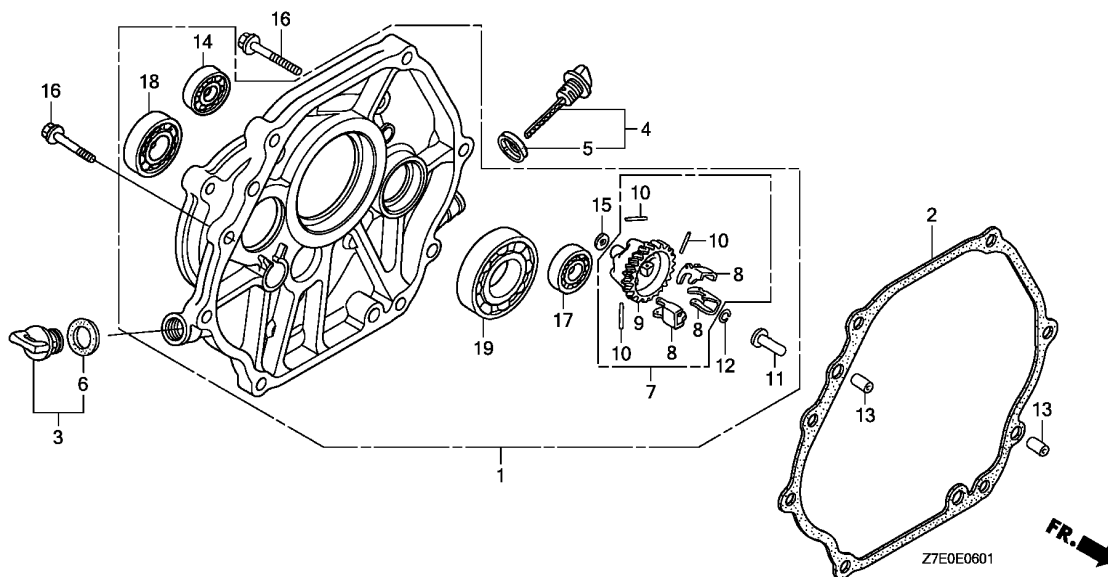
Ref. No.	Part No.	Description	Reqd. QTY		Serial No.	Parts catalogue code
			GX 390 H1	GX 390 H2		
14	91201-Z7E-003	OIL SEAL, 35X52X8 .....	1	-	-	EDF6,EDS2,PX,QA2,QBE1,QEBR,QH,QH1,QHB1,QHB3,QHB5,QHBR,QHE,QHP1,QMH,QN,QP,QX,QXBR,QXE,QXEK,QXHQ,QXK,SH,SH1,SHE,SM11,SWE2,SWX2,SX,SX1,SXC,SXC1,SXE,SXE1,VMQ3,VPKK,VPXB,VPXE,VPXJ,VPXK,VPXX,VS4,VS6,VSB4,VTE5,VX,VX1,VX1M,VXE,VXEK,VXEM,VXK,VXKS,VXU1
	91201-ZE3-004	OIL SEAL, 35X52X8(ARAI) .....	1	-	-	ES3S,ES4S,VPX4
	91201-Z1C-003	OIL SEAL, 35X52X8(NOK) .....	1	-	0001148	VSP
	91201-ZE3-004	OIL SEAL, 35X52X8(ARAI) .....	1	-	0001591	EDS1,EDT1
			1	-	0001149	VSP
	91201-Z7E-003	OIL SEAL, 35X52X8 .....	1	-	0001592	EDS1,EDT1
			-	1	-	EDS1,EDS2,EDT1,PX,QH,QH1,QHE,QMH,QN,QX,QXE,QXHQ,SH,SH1,SHE,SM11,SWX2,SX,SX1,SXC,SXC1,VPKK,VPXB,VPXE,VPXK,VPXX,VTE5,VX,VX1,VX1M,VXE,VXEK,VXEM,VXKS
15	94101-06800	WASHER, PLAIN, 6MM .....	1	1	-	EDF6,EDS1,EDS2,EDT1,ES3S,ES4S,PX,QA2,QBE1,QEBR,QH,QH1,QHB1,QHB3,QHB5,QHBR,QHE,QHP1,QMH,QN,QP,QX,QXBR,QXE,QXEK,QXHQ,QXK,SH,SH1,SHE,SM11,SWE2,SWX2,SX,SX1,SXC,SXC1,SXE,SXE1,VMQ3,VPKK,VPX4,VPXB,VPXE,VPXJ,VPXK,VPXX,VS4,VS6,VSB4,VSP,VTE5,VX,VX1,VX1M,VXE,VXEK,VXEM,VXK,VXKS,VXU1
16	95701-08040-00	BOLT, FLANGE, 8X40 .....	7	7	-	EDF6,EDS1,EDS2,EDT1,ES3S,ES4S,PX,QA2,QBE1,QEBR,QH,QH1,QHB1,QHB3,QHB5,QHBR,QHE,QHP1,QMH,QN,QP,QX,QXBR,QXE,QXEK,QXHQ,QXK,SH,SH1,SHE,SM11,SWE2,SWX2,SX,SX1,SXC,SXC1,SXE,SXE1,VMQ3,VPKK,VPX4,VPXB,VPXE,VPXJ,VPXK,VPXX,VS4,VS6,VSB4,VSP,VTE5,VX,VX1,VX1M,VXE,VXEK,VXEM,VXK,VXKS,VXU1
17	96100-62020-00	BEARING, RADIAL BALL, 6202 ..	1	1	-	EDF6,EDS1,EDS2,EDT1,ES3S,ES4S,PX,QA2,QBE1,QEBR,QH,QH1,QHB1,QHB3,QHB5,QHBR,QHE,QHP1,QMH,QN,QP,QX,QXBR,QXE,QXEK,QXHQ,QXK,SH,SH1,SHE,SM11,SWE2,SWX2,SX,SX1,SXC,SXC1,SXE,SXE1,VMQ3,VPKK,VPX4,VPXB,VPXE,VPXJ,VPXK,VPXX,VS4,VS6,VSB4,VSP,VTE5,VX,VX1,VX1M,VXE,VXEK,VXEM,VXK,VXKS,VXU1
18	96100-62070-00	BEARING, RADIAL BALL, 6207 ..	1	1	-	EDF6,EDS1,EDS2,EDT1,ES3S,ES4S,PX,QA2,QBE1,QEBR,QH,QH1,QHB1,QHB3,QHB5,QHBR,QHE,QHP1,QMH,QN,QP,QX,QXBR,QXE,QXEK,QXHQ,QXK,SH,SH1,SHE,SM11,SWE2,SWX2,SX,SX1,SXC,SXC1,SXE,SXE1,VMQ3,VPKK,VPX4,VPXB,VPXE,VPXJ,VPXK,VPXX,VS4,VS6,VSB4,VSP,VTE5,VX,VX1,VX1M,VXE,VXEK,VXEM,VXK,VXKS,VXU1
	91001-Z7E-003	.....	1	-	-	EDF6,EDS2,ES3S,ES4S,QHE,VPKK,VPXK,VPXX,VX1M,VXEK,VXEM,VXKS
			1	-	0449985	EDS1,EDT1,PX,QA2,QBE1,QEBR,QH,QH1,QHB1,QHB3,QHB5,QHBR,QHP1,QMH,QN,QP,QX,QXBR,QXE,QXEK,QXHQ,QXK,SH,SH1,SHE,SM11,SWE2,SWX2,SX,SX1,SXC,SXC1,SXE,SXE1,VMQ3,VPX4,VPXB,VPXE,VPXJ,VS4,VS6,VSB4,VSP,VTE5,VX,VX1,VXE,VXK,VXU1
			-	1	-	EDS1,EDS2,EDT1,PX,QH,QH1,QHE,QMH,QN,QX,QXE,QXHQ,SH,SH1,SHE,SM11,SWX2,SX,SX1,SXC,SXC1,VPKK,VPXB,VPXE,VPXK,VPXX,VTE5,VX,VX1,VX1M,VXE,VXEK,VXEM,VXKS





E-6-1

CRANKCASE COVER(2)

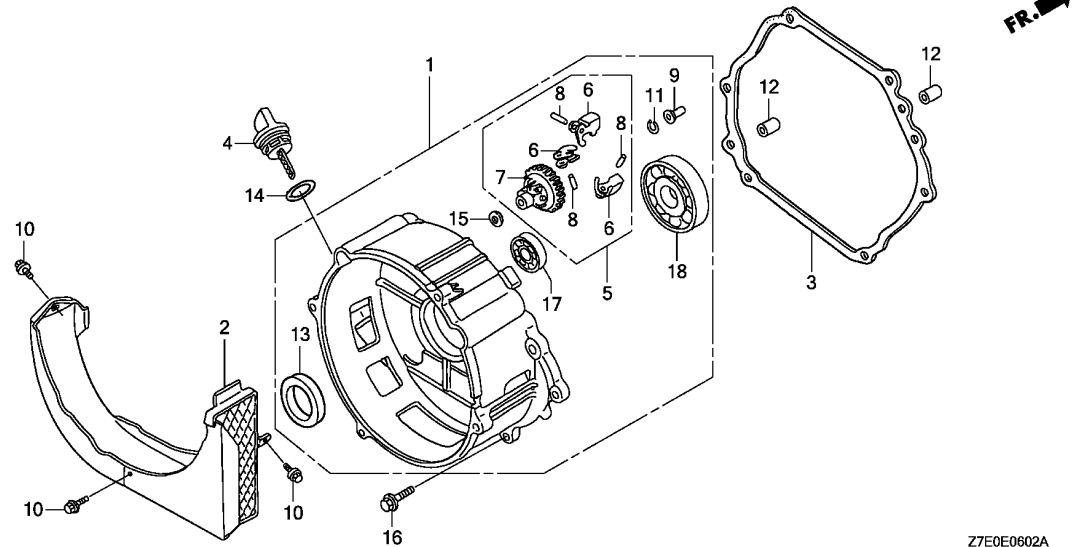


Ref. No.	L.O.N.	(Relative ref. Number) Description	F.R.T.
1	1101G0	COVER, CRANKCASE(A) .....	0.3
2	1101F9	PACKING, CRANKCASE COVER(A) ..	0.3
7	1161C4	GOVERNOR ASSEMBLY .....	0.3
9		(8,10)	
	1161C6	HOLDER, GOVERNOR WEIGHT(A) ...	0.4
11	1161C7	SLIDER, GOVERNOR(A) .....	0.3
14	2101U3	BEARING, COUNTERSHAFT :FRONT	0.4
17	1101G5	BEARING, BALANCER WEIGHT(A) :REAR .....	0.4
18	2141A7	BEARING, POWER TAKE OFF SHAFT :FRONT .....	0.4
19	1101G4	BEARING, CRANKSHAFT(A) :REAR	0.4

Ref. No.	Part No.	Description	Reqd. QTY		Serial No.	Parts catalogue code
			GX 390 H1	GX 390 H2		
1	11300-Z7E-810	COVER ASSY., CRANKCASE .....	1	1	-----	LH,LH1,LH2,LHB5,LHP1,LXE9
2	11381-Z7E-701	PACKING, CASE COVER (NINGBO SIL GASKET)	1	1	-----	LH,LH1,LH2,LHB5,LHP1,LXE9
	11381-ZE3-801	PACKING, CASE COVER .....	1	-	-----	LH,LH1,LH2,LHB5,LHP1,LXE9
	11381-Z5T-000	PACKING, CRANKCASE COVER .....	-	1	-----	LH,LH1
3	15600-Z1T-600	CAP ASSY., OIL FILLER .....	1	1	-----	LH,LH1,LH2,LHB5,LHP1,LXE9
4	15600-Z7E-000	CAP ASSY., OIL FILLER .....	1	1	-----	LH,LH1,LH2,LHB5,LHP1,LXE9
5	15625-Z0T-800	PACKING, OIL FILLER CAP .....	1	1	-----	LH,LH1,LH2,LHB5,LHP1,LXE9
6	15625-Z1T-000	PACKING, OIL FILLER CAP .....	1	1	-----	LH,LH1,LH2,LHB5,LHP1,LXE9
7	16510-Z7E-000	GOVERNOR ASSY. ....	1	1	-----	LH,LH1,LH2,LHB5,LHP1,LXE9
8	16511-ZE8-000	WEIGHT, GOVERNOR .....	3	3	-----	LH,LH1,LH2,LHB5,LHP1,LXE9
9	16512-Z7E-000	HOLDER, GOVERNOR WEIGHT .....	1	1	-----	LH,LH1,LH2,LHB5,LHP1,LXE9
10	16513-ZE2-000	PIN, GOVERNOR WEIGHT .....	3	3	-----	LH,LH1,LH2,LHB5,LHP1,LXE9
11	16531-Z0A-000	SLIDER, GOVERNOR .....	1	1	-----	LH,LH1,LH2,LHB5,LHP1,LXE9
12	90602-ZE1-000	CLIP, GOVERNOR HOLDER .....	1	1	-----	LH,LH1,LH2,LHB5,LHP1,LXE9
13	90701-Z7E-000	DOWEL PIN, 8X12 .....	2	2	-----	LH,LH1,LH2,LHB5,LHP1,LXE9
14	91009-KJ1-003	BEARING, RADIAL BALL, 6202 (NTN)	1	1	-----	LH,LH1,LH2,LHB5,LHP1,LXE9
15	94101-06800	WASHER, PLAIN, 6MM .....	1	1	-----	LH,LH1,LH2,LHB5,LHP1,LXE9
16	95701-08040-00	BOLT, FLANGE, 8X40 .....	7	7	-----	LH,LH1,LH2,LHB5,LHP1,LXE9
17	96100-62020-00	BEARING, RADIAL BALL, 6202 ..	1	1	-----	LH,LH1,LH2,LHB5,LHP1,LXE9
18	96100-62040-00	BEARING, RADIAL BALL, 6204 ..	1	1	-----	LH,LH1,LH2,LHB5,LHP1,LXE9
19	96100-62070-00	BEARING, RADIAL BALL, 6207 ..	1	1	-----	LH,LH1,LH2,LHB5,LHP1,LXE9
	91001-Z7E-003	.....	1	-	0449985	LH,LH1,LH2,LHB5,LHP1,LXE9
			-	1	-----	LH,LH1

# E-6-2

# CRANKCASE COVER(3)



Z7E0E0602A

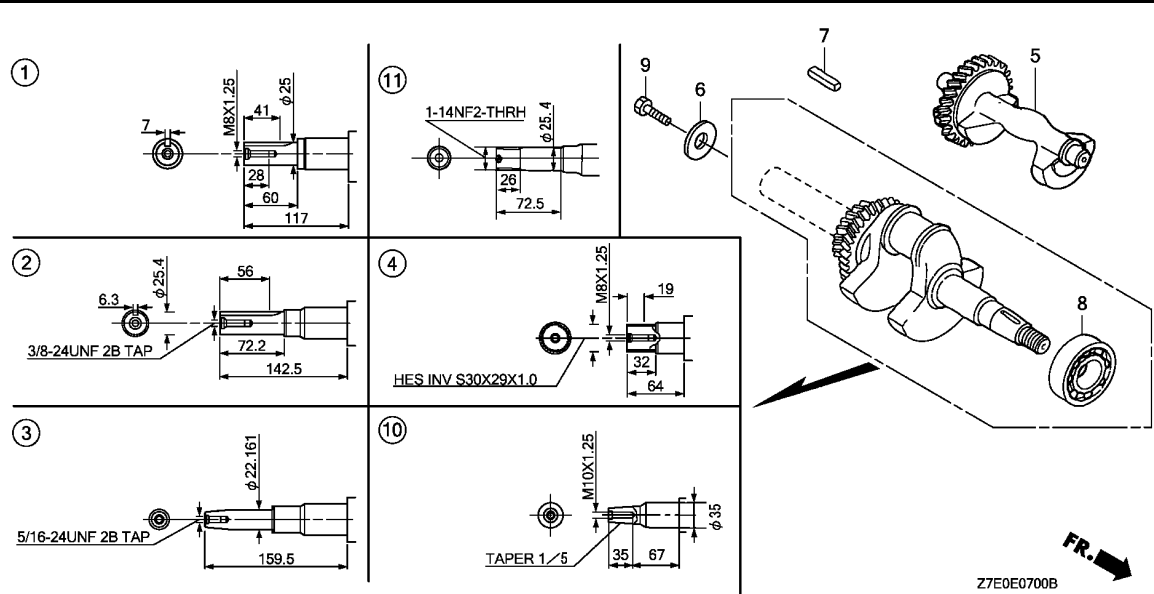
Ref. No.	L.O.N.	(Relative ref. Number) Description	F.R.T.
1	1101G0	COVER, CRANKCASE(A) .....	0.3
2	4141J5	COVER, DUCT .....	0.1
3	1101F9	PACKING, CRANKCASE COVER(A) ..	0.3
5	1161C4	GOVERNOR ASSEMBLY .....	0.3
7		(6,8)	
	1161A7	HOLDER, GOVERNOR WEIGHT .....	0.4
9	1161B6	SLIDER, GOVERNOR .....	0.3
13	1101E5	OIL SEAL, CRANKSHAFT :REAR ...	0.3
17	1101F5	BEARING, BALANCER WEIGHT :REAR	0.4
18	1101A6	BEARING, CRANKSHAFT :REAR ....	0.4

Ref. No.	Part No.	Description	Reqd. QTY		Serial No.	Parts catalogue code
			GX 390 H1	GX 390 H2		
1	11300-Z7E-700	COVER ASSY., CRANKCASE(E-TYPE)	1	1	-----	ES2,VMT3
2	11315-ZE3-700	COVER, DUCT .....	1	-	-----	VMT3
3	11381-Z7E-701	PACKING, CASE COVER	1	1	-----	ES2,VMT3
	11381-ZE3-801	PACKING, CASE COVER .....	1	-	-----	ES2,VMT3
	11381-Z5T-000	PACKING, CRANKCASE COVER ....	-	1	-----	ES2
4	15620-Z7E-800	CAP, OIL FILLER .....	1	1	-----	ES2,VMT3
5	16510-Z7E-000	GOVERNOR ASSY. ....	1	1	-----	ES2,VMT3
6	16511-ZE8-000	WEIGHT, GOVERNOR .....	3	3	-----	ES2,VMT3
7	16512-Z7E-000	HOLDER, GOVERNOR WEIGHT .....	1	1	-----	ES2,VMT3
8	16513-ZE2-000	PIN, GOVERNOR WEIGHT .....	3	3	-----	ES2,VMT3
9	16531-Z0A-000	SLIDER, GOVERNOR .....	1	1	-----	ES2,VMT3
10	90019-883-000	BOLT, FLANGE, 5X10(CT200) ...	3	-	-----	VMT3
11	90602-ZE1-000	CLIP, GOVERNOR HOLDER .....	1	1	-----	ES2,VMT3
12	90701-Z7E-000	DOWEL PIN, 8X12 .....	2	2	-----	ES2,VMT3
13	91201-Z7E-003	OIL SEAL, 35X52X8 .....	1	1	-----	ES2,VMT3
14	91301-805-000	O-RING, 26X2.7 .....	1	1	-----	ES2,VMT3
15	94101-06800	WASHER, PLAIN, 6MM .....	1	1	-----	ES2,VMT3
16	95701-08040-00	BOLT, FLANGE, 8X40 .....	7	7	-----	ES2,VMT3
17	96100-62020-00	BEARING, RADIAL BALL, 6202 ..	1	1	-----	ES2,VMT3
18	96100-62070-00	BEARING, RADIAL BALL, 6207 ..	1	1	-----	ES2,VMT3
	91001-Z7E-003	.....	1	-	0449985	ES2,VMT3
			-	1	-----	ES2



E-7

CRANKSHAFT



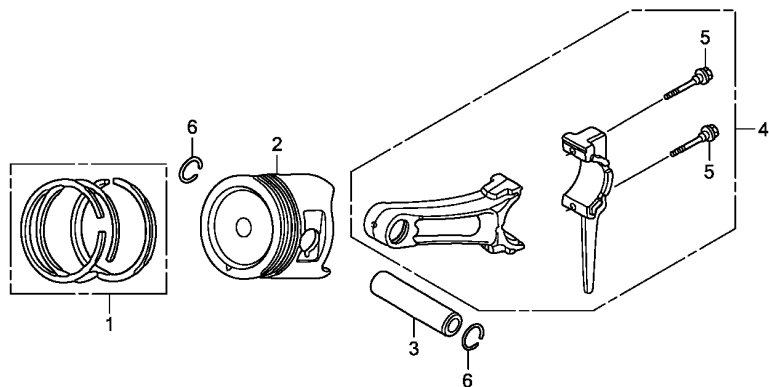
Ref. No.	L.O.N.	(Relative ref. Number) Description	F.R.T.
1		(2,3,4,10,11)	
1101F0		CRANKSHAFT .....	1.1
1101D8		WEIGHT, BALANCER .....	0.4
1101A4		BEARING, CRANKSHAFT :FRONT ...	1.3

2

Ref. No.	Part No.	Description	Reqd. QTY		Serial No.	Parts catalogue code
			GX 390 H1	GX 390 H2		
1	13310-Z7E-000	CRANKSHAFT COMP. ....	1	1	-----	SH,SH1,SHE,SM11,SWE2,SWX2,SX,SX1,SXC,SXC1,SXE,SXE1
2	13310-Z7E-800	CRANKSHAFT COMP. ....	1	1	-----	QA2,QBE1,QEBR,QH,QH1,QHB1,QHB3,QHB5,QHBR,QHE,QHP1,QMH,QN,QP,QX,QXBR,QXE,QXEK,QXHQ,QXK
3	13310-Z7E-810	CRANKSHAFT COMP. ....	1	1	-----	ES3S,ES4S,VMQ3,VPKK,VPXB,VPXE,VPXJ,VPXK,VPXX,VS4,VS6,VS4,VS6,VTE5,VX,VX1,VX1M,VXE,VXEK,VXEM,VXK,VXKS,VXU1
	13310-ZF6-W42	.....	1	-	-----	VPX4,VSP
4	13310-Z7E-820	CRANKSHAFT COMP. ....	1	1	-----	LH,LH1,LH2,LHB5,LHP1,LXE9
5	13351-Z7E-000	WEIGHT, BALANCER .....	1	1	-----	EDF6,EDS1,EDS2,EDT1,ES2,ES3S,ES4S,LH,LH1,LH2,LHB5,LHP1,LXE9,PX,QA2,QBE1,QEBR,QH,QH1,QHB1,QHB3,QHB5,QHBR,QHE,QHP1,QMH,QN,QP,QX,QXBR,QXE,QXEK,QXHQ,QXK,SH,SH1,SHE,SM11,SWE2,SWX2,SX,SX1,SXC,SXC1,SXE,SXE1,VMQ3,VMT3,VPKK,VPXB,VPXE,VPXJ,VPXK,VPXX,VS4,VS6,VS4,VS6,VTE5,VX,VX1,VX1M,VXE,VXEK,VXEM,VXK,VXKS,VXU1
	13351-ZE3-010	.....	1	-	0013664	VPX4,VSP
	13351-Z7E-000	.....	1	-	0013665	VPX4,VSP
6	90534-706-010	WASHER, LOCK, 8.5X35X4.5 ....	1	1	-----	SM11
7	90745-ZE2-600	KEY, 6.3X6.3X43 .....	1	1	-----	QA2,QBE1,QEBR,QH,QH1,QHB1,QHB3,QHB5,QHBR,QHE,QHP1,QMH,QN,QP,QX,QXBR,QXE,QXEK,QXHQ,QXK
	90741-889-810	KEY, 7X7X33 (YELLOW) (O.S.) ...	(1)	(1)	-----	QHE,SH,SH1,SHE,SM11,SWE2,SWX2,SX,SX1,SXC,SXC1,SXE,SXE1
	90741-805-000	KEY, 7X7X33 .....	1	1	-----	SH,SH1,SHE,SM11,SWE2,SWX2,SX,SX1,SXC,SXC1,SXE,SXE1
8	91001-ZF6-013	BEARING, RADIAL BALL, 6207SH	1	1	-----	
	91002-Z7E-003	BEARING, BALL RADIAL, 6207SH2	1	-	0460960	EDF6,EDS2,QHE,VPKK,VPXK,VPXX,VX1M,VXEK,VXEM,VXKS
			1	-		EDS1,EDT1,ES2,ES3S,ES4S,LH,LH1,LH2,LHB5,LHP1,LXE9,PX,QA2,QBE1,QEBR,QH,QH1,QHB1,QHB3,QHB5,QHBR,QHP1,QMH,QN,QP,QX,QXBR,QXE,QXEK,QXHQ,QXK,SH,SH1,SHE,SM11,SWE2,SWX2,SX,SX1,SXC,SXC1,SXE,SXE1,VMQ3,VMT3,VPXB,VPXE,VPXJ,VS4,VS6,VS4,VS6,VTE5,VX,VX1,VXE,VXK,VXU1
9	92101-08025-0A	BOLT, HEX., 8X25 .....	1	1	-----	SM11
10	13310-Z7E-700	CRANKSHAFT COMP. ....	1	1	-----	EDF6,EDS1,EDS2,EDT1,ES2,VMT3
11	13310-Z7E-830	CRANKSHAFT COMP. ....	1	1	-----	PX

E-8

PISTON



Z7E0E0800



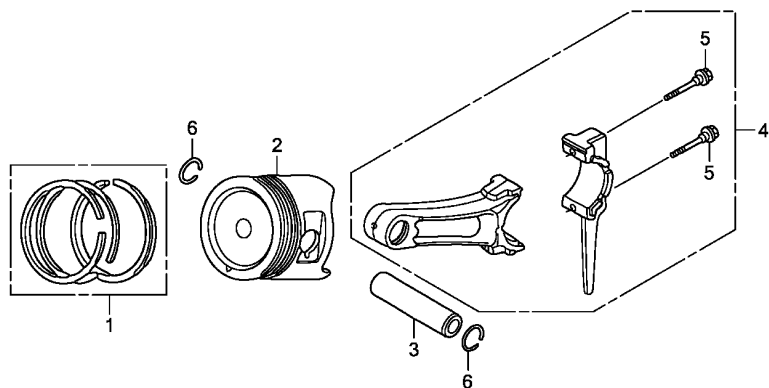
Ref. No.	L.O.N.	(Relative ref. Number) Description	F.R.T.
2	1111R1	(1,3,4) PISTON AND/OR RING SET AND/OR BEARING AND/OR ROD .....	1.2

Ref. No.	Part No.	Description	Reqd. QTY		Serial No.	Parts catalogue code
			GX 390 H1	GX 390 H2		
1	13010-Z5R-004	RING SET, PISTON(STD.) (TEIKOKU)	1	-	-----	EDF6,EDS1,EDS2,EDT1,ES2,ES3S,ES4S,LH1,LH2,LHB5,LHP1,LXE9,PX,QA2,QBE1,QEBR,QH1,QHB1,QHB3,QHB5,QHBR,QHE,QHP1,QMH,QN,QP,QX,QXBR,QXE,QXEK,QXHQ,QXK,SH1,SWE2,SWX2,SX1,SXC1,SXE1,VMQ3,VMT3,VPKK,VPX4,VPXB,VPXE,VPXJ,VPXK,VPXX,VS4,VS6,VS4,VS6,VS4,VSP,VTE5,VX1,VX1M,VXE,VXEK,VXEM,VXK,VXKS,VXU1
	13011-Z5R-004	RING SET, PISTON(0.25) (TEIKOKU)	(1)	-	-----	EDF6,EDS1,EDS2,EDT1,ES2,ES3S,ES4S,LH1,LH2,LHB5,LHP1,LXE9,PX,QA2,QBE1,QEBR,QH1,QHB1,QHB3,QHB5,QHBR,QHE,QHP1,QMH,QN,QP,QX,QXBR,QXE,QXEK,QXHQ,QXK,SH1,SWE2,SWX2,SX1,SXC1,SXE1,VMQ3,VMT3,VPKK,VPX4,VPXB,VPXE,VPXJ,VPXK,VPXX,VS4,VS6,VS4,VS6,VS4,VSP,VTE5,VX1,VX1M,VXE,VXEK,VXEM,VXK,VXKS,VXU1
	13012-Z5R-004	RING SET, PISTON(0.50) (TEIKOKU)	(1)	-	-----	EDF6,EDS1,EDS2,EDT1,ES2,ES3S,ES4S,LH1,LH2,LHB5,LHP1,LXE9,PX,QA2,QBE1,QEBR,QH1,QHB1,QHB3,QHB5,QHBR,QHE,QHP1,QMH,QN,QP,QX,QXBR,QXE,QXEK,QXHQ,QXK,SH1,SWE2,SWX2,SX1,SXC1,SXE1,VMQ3,VMT3,VPKK,VPX4,VPXB,VPXE,VPXJ,VPXK,VPXX,VS4,VS6,VS4,VS6,VS4,VSP,VTE5,VX1,VX1M,VXE,VXEK,VXEM,VXK,VXKS,VXU1
	13013-Z5R-004	RING SET, PISTON(0.75) (TEIKOKU)	(1)	-	-----	EDF6,EDS1,EDS2,EDT1,ES2,ES3S,ES4S,LH1,LH2,LHB5,LHP1,LXE9,PX,QA2,QBE1,QEBR,QH1,QHB1,QHB3,QHB5,QHBR,QHE,QHP1,QMH,QN,QP,QX,QXBR,QXE,QXEK,QXHQ,QXK,SH1,SWE2,SWX2,SX1,SXC1,SXE1,VMQ3,VMT3,VPKK,VPX4,VPXB,VPXE,VPXJ,VPXK,VPXX,VS4,VS6,VS4,VS6,VS4,VSP,VTE5,VX1,VX1M,VXE,VXEK,VXEM,VXK,VXKS,VXU1
	13010-Z5T-003	RING SET, PISTON(STD.) (RIKEN)	1	-	-----	EDF6,EDS2,ES2,LH1,LH2,LHB5,LHP1,LXE9,PX,QA2,QBE1,QEBR,QH1,QHB1,QHB3,QHB5,QHBR,QHE,QHP1,QMH,QN,QP,QX,QXBR,QXE,QXEK,QXHQ,QXK,SH1,SWE2,SWX2,SX1,SXC1,SXE1,VMQ3,VMT3,VPKK,VPX4,VPXB,VPXE,VPXJ,VPXK,VPXX,VS4,VS6,VS4,VS6,VS4,VSP,VTE5,VX1,VX1M,VXE,VXEK,VXEM,VXK,VXKS,VXU1
	13011-Z5T-003	RING SET, PISTON(0.25) (RIKEN)	(1)	-	-----	EDF6,EDS2,ES2,LH1,LH2,LHB5,LHP1,LXE9,PX,QA2,QBE1,QEBR,QH1,QHB1,QHB3,QHB5,QHBR,QHE,QHP1,QMH,QN,QP,QX,QXBR,QXE,QXEK,QXHQ,QXK,SH1,SWE2,SWX2,SX1,SXC1,SXE1,VMQ3,VMT3,VPKK,VPX4,VPXB,VPXE,VPXJ,VPXK,VPXX,VS4,VS6,VS4,VS6,VS4,VSP,VTE5,VX1,VX1M,VXE,VXEK,VXEM,VXK,VXKS,VXU1



E-8

PISTON



Z7E0E0800



2

Ref. No.	Part No.	Description	Reqd. QTY		Serial No.	Parts catalogue code
			GX 390 H1	GX 390 H2		
(1)	13012-Z5T-003	RING SET, PISTON(0.50)(RIKEN)	(1)	-	-----	EDF6,EDS2,ES2,LH1,LH2,LHB5,LHP1,LXE9,PX,QA2,QBE1,QEBR,QH1,QHB1,QHB3,QHB5,QHBR,QHE,QHP1,QMH,QN,QP,QX,QXBR,QXE,QXEK,QXHQ,QXK,SH1,SWE2,SWX2,SX1,SXC1,SXE1,VMQ3,VMT3,VPKK,VPXB,VPXE,VPXJ,VPXK,VPXX,VS4,VS6,VS4,VSP,VTE5,VX1,VX1M,VXE,VXEK,VXEM,VXK,VXKS,VXU1
	13013-Z5T-003	RING SET, PISTON(0.75)(RIKEN)	(1)	-	-----	EDF6,EDS2,ES2,LH1,LH2,LHB5,LHP1,LXE9,PX,QA2,QBE1,QEBR,QH1,QHB1,QHB3,QHB5,QHBR,QHE,QHP1,QMH,QN,QP,QX,QXBR,QXE,QXEK,QXHQ,QXK,SH1,SWE2,SWX2,SX1,SXC1,SXE1,VMQ3,VMT3,VPKK,VPXB,VPXE,VPXJ,VPXK,VPXX,VS4,VS6,VS4,VSP,VTE5,VX1,VX1M,VXE,VXEK,VXEM,VXK,VXKS,VXU1
	13010-Z7E-701	RING SET, PISTON(STD.) (FUJIAN DONGYA MACHINERY)	1	-	-----	EDS1,EDT1,ES2,LH,LH1,LH2,LHB5,LHP1,LXE9,PX,QA2,QBE1,QEBR,QH,QH1,QHB1,QHB3,QHB5,QHBR,QHP1,QMH,QN,QP,QX,QXBR,QXE,QXEK,QXHQ,QXK,SH,SH1,SHE,SM11,SWE2,SWX2,SX,SX1,SXC,SXC1,SXE,SXE1,VMQ3,VMT3,VPX4,VPXB,VPXE,VPXJ,VS4,VS6,VS4,VSP,VTE5,VX,VX1,VXE,VXK,VXU1
	13011-Z7E-701	RING SET, PISTON(0.25) (FUJIAN DONGYA MACHINERY)	(1)	-	-----	EDS1,EDT1,ES2,LH,LH1,LH2,LHB5,LHP1,LXE9,PX,QA2,QBE1,QEBR,QH,QH1,QHB1,QHB3,QHB5,QHBR,QHP1,QMH,QN,QP,QX,QXBR,QXE,QXEK,QXHQ,QXK,SH,SH1,SHE,SM11,SWE2,SWX2,SX,SX1,SXC,SXC1,SXE,SXE1,VMQ3,VMT3,VPX4,VPXB,VPXE,VPXJ,VS4,VS6,VS4,VSP,VTE5,VX,VX1,VXE,VXK,VXU1
	13012-Z7E-701	RING SET, PISTON(0.50) (FUJIAN DONGYA MACHINERY)	(1)	-	-----	EDS1,EDT1,ES2,LH,LH1,LH2,LHB5,LHP1,LXE9,PX,QA2,QBE1,QEBR,QH,QH1,QHB1,QHB3,QHB5,QHBR,QHP1,QMH,QN,QP,QX,QXBR,QXE,QXEK,QXHQ,QXK,SH,SH1,SHE,SM11,SWE2,SWX2,SX,SX1,SXC,SXC1,SXE,SXE1,VMQ3,VMT3,VPX4,VPXB,VPXE,VPXJ,VS4,VS6,VS4,VSP,VTE5,VX,VX1,VXE,VXK,VXU1
	13013-Z7E-701	RING SET, PISTON(0.75) (FUJIAN DONGYA MACHINERY)	(1)	-	-----	EDS1,EDT1,ES2,LH,LH1,LH2,LHB5,LHP1,LXE9,PX,QA2,QBE1,QEBR,QH,QH1,QHB1,QHB3,QHB5,QHBR,QHP1,QMH,QN,QP,QX,QXBR,QXE,QXEK,QXHQ,QXK,SH,SH1,SHE,SM11,SWE2,SWX2,SX,SX1,SXC,SXC1,SXE,SXE1,VMQ3,VMT3,VPX4,VPXB,VPXE,VPXJ,VS4,VS6,VS4,VSP,VTE5,VX,VX1,VXE,VXK,VXU1
	13010-ZF6-003	RING SET, PISTON(STD.)(NIPPON)	1	-	0010516	LH,QH,SH,SHE,SM11,SX,SXC,SXE,VX

E-8

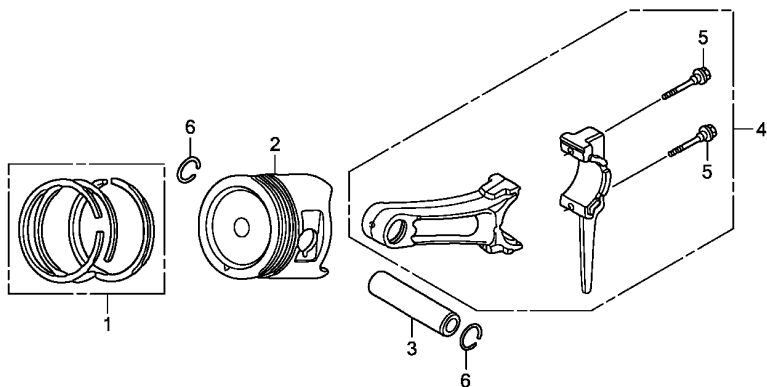
PISTON

Ref. No.	Part No.	Description	Reqd. QTY		Serial No.	Parts catalogue code
			GX 390 H1	GX 390 H2		
(1)	13010-ZF6-005	RING SET, PISTON(STD.)				
		(TEIKOKU)	1	-	0010516	LH, QH, SH, SHE, SM11, SX, SXC, SXE, VX
	13011-ZF6-003	RING SET, PISTON(0.25) (NIPPON)	(1)	-	0010516	LH, QH, SH, SHE, SM11, SX, SXC, SXE, VX
	13011-ZF6-005	RING SET, PISTON(0.25)				
		(TEIKOKU)	(1)	-	0010516	LH, QH, SH, SHE, SM11, SX, SXC, SXE, VX
	13012-ZF6-003	RING SET, PISTON(0.50) (NIPPON)	(1)	-	0010516	LH, QH, SH, SHE, SM11, SX, SXC, SXE, VX
	13012-ZF6-005	RING SET, PISTON(0.50)				
		(TEIKOKU)	(1)	-	0010516	LH, QH, SH, SHE, SM11, SX, SXC, SXE, VX
	13013-ZF6-003	RING SET, PISTON(0.75) (NIPPON)	(1)	-	0010516	LH, QH, SH, SHE, SM11, SX, SXC, SXE, VX
	13013-ZF6-005	RING SET, PISTON(0.75)				
		(TEIKOKU)	(1)	-	0010516	LH, QH, SH, SHE, SM11, SX, SXC, SXE, VX
	13010-Z5R-004	RING SET, PISTON(STD.)				
		(TEIKOKU)	1	-	0010517	LH, QH, SH, SHE, SM11, SX, SXC, SXE, VX
	13010-Z5T-003	RING SET, PISTON(STD.) (RIKEN)	1	-	0010517	LH, QH, SH, SHE, SM11, SX, SXC, SXE, VX
	13011-Z5R-004	RING SET, PISTON(0.25)				
		(TEIKOKU)	(1)	-	0010517	LH, QH, SH, SHE, SM11, SX, SXC, SXE, VX
	13011-Z5T-003	RING SET, PISTON(0.25) (RIKEN)	(1)	-	0010517	LH, QH, SH, SHE, SM11, SX, SXC, SXE, VX
	13012-Z5R-004	RING SET, PISTON(0.50)				
		(TEIKOKU)	(1)	-	0010517	LH, QH, SH, SHE, SM11, SX, SXC, SXE, VX
	13012-Z5T-003	RING SET, PISTON(0.50) (RIKEN)	(1)	-	0010517	LH, QH, SH, SHE, SM11, SX, SXC, SXE, VX
	13013-Z5R-004	RING SET, PISTON(0.75)				
		(TEIKOKU)	(1)	-	0010517	LH, QH, SH, SHE, SM11, SX, SXC, SXE, VX
	13013-Z5T-003	RING SET, PISTON(0.75) (RIKEN)	(1)	-	0010517	LH, QH, SH, SHE, SM11, SX, SXC, SXE, VX
	13010-Z5T-003	RING SET, PISTON(STD.) (RIKEN)	1	-	0010616	VPX4
	13011-Z5T-003	RING SET, PISTON(0.25) (RIKEN)	(1)	-	0010616	VPX4
	13012-Z5T-003	RING SET, PISTON(0.50) (RIKEN)	(1)	-	0010616	VPX4
	13013-Z5T-003	RING SET, PISTON(0.75) (RIKEN)	(1)	-	0010616	VPX4
	13010-Z7E-931	RING SET, PISTON(STD.) (TPR)	-	1		
	13011-Z7E-931	RING SET, PISTON(0.25) (TPR)	-	(1)		
	13012-Z7E-931	RING SET, PISTON(0.50) (TPR)	-	(1)		
	13013-Z7E-931	RING SET, PISTON(0.75) (TPR)	-	(1)		
2	13101-Z7E-800	PISTON(STD.)	1	-		EDF6, EDS1, EDS2, EDT1, ES2, ES3S, ES4S, LH1, LH2, LHB5, LHP1, LXE9, PX, QA2, QBE1, QEBR, QH1, QHB1, QHB3, QHB5, QHBR, QHE, QHP1, QMH, QN, QP, QX, QXBR, QXE, QXEK, QXHQ, QXK, SH1, SWE2, SWX2, SX1, SXC1, SXE1, VMQ3, VMT3, VPKK, VPXB, VPXE, VPXJ, VPXK, VPXX, VS4, VS6, VSB4, VTE5, VX1, VX1M, VXE, VXEK, VXEK, VXEM, VXX, VXKS, VXU1
	13102-Z7E-800	PISTON(0.25)	(1)	-		EDF6, EDS1, EDS2, EDT1, ES2, ES3S, ES4S, LH1, LH2, LHB5, LHP1, LXE9, PX, QA2, QBE1, QEBR, QH1, QHB1, QHB3, QHB5, QHBR, QHE, QHP1, QMH, QN, QP, QX, QXBR, QXE, QXEK, QXHQ, QXK, SH1, SWE2, SWX2, SX1, SXC1, SXE1, VMQ3, VMT3, VPKK, VPXB, VPXE, VPXJ, VPXK, VPXX, VS4, VS6, VSB4, VTE5, VX1, VX1M, VXE, VXEK, VXEK, VXEM, VXX, VXKS, VXU1
	13103-Z7E-800	PISTON(0.50)	(1)	-		EDF6, EDS1, EDS2, EDT1, ES2, ES3S, ES4S, LH1, LH2, LHB5, LHP1, LXE9, PX, QA2, QBE1, QEBR, QH1, QHB1, QHB3, QHB5, QHBR, QHE, QHP1, QMH, QN, QP, QX, QXBR, QXE, QXEK, QXHQ, QXK, SH1, SWE2, SWX2, SX1, SXC1, SXE1, VMQ3, VMT3, VPKK, VPXB, VPXE, VPXJ, VPXK, VPXX, VS4, VS6, VSB4, VTE5, VX1, VX1M, VXE, VXEK, VXEK, VXEM, VXX, VXKS, VXU1
	13104-Z7E-800	PISTON(0.75)	(1)	-		EDF6, EDS1, EDS2, EDT1, ES2, ES3S, ES4S, LH1, LH2, LHB5, LHP1, LXE9, PX, QA2, QBE1, QEBR, QH1, QHB1, QHB3, QHB5, QHBR, QHE, QHP1, QMH, QN, QP, QX, QXBR, QXE, QXEK, QXHQ, QXK, SH1, SWE2, SWX2, SX1, SXC1, SXE1, VMQ3, VMT3, VPKK, VPXB, VPXE, VPXJ, VPXK, VPXX, VS4, VS6, VSB4, VTE5, VX1, VX1M, VXE, VXEK, VXEK, VXEM, VXX, VXKS, VXU1
	13101-Z5T-000	PISTON(STD.)	1	-		VSP
	13102-Z5T-000	PISTON(0.25)	(1)	-		VSP
	13103-Z5T-000	PISTON(0.50)	(1)	-		VSP
	13104-Z5T-000	PISTON(0.75)	(1)	-		VSP
	13101-ZF6-W00	PISTON(STD.)	1	-	0010516	LH, QH, SH, SHE, SM11, SX, SXC, SXE, VX
	13102-ZF6-W00	PISTON(0.25)	(1)	-	0010516	LH, QH, SH, SHE, SM11, SX, SXC, SXE, VX
	13103-ZF6-W00	PISTON(0.50)	(1)	-	0010516	LH, QH, SH, SHE, SM11, SX, SXC, SXE, VX
	13104-ZF6-W00	PISTON(0.75)	(1)	-	0010516	LH, QH, SH, SHE, SM11, SX, SXC, SXE, VX
	13101-ZF6-W01	PISTON(STD.)	1	-	0022196	VPX4, VSP
	13102-ZF6-W01	PISTON(0.25)	(1)	-	0022196	VPX4, VSP
	13103-ZF6-W01	PISTON(0.50)	(1)	-	0022196	VPX4, VSP



E-8

PISTON



Z7E0E0800



Ref. No.	Part No.	Description	Reqd. QTY		Serial No.	Parts catalogue code
			GX 390 H1	GX 390 H2		
(2)	13104-ZF6-W01	PISTON(0.75)	(1)	-	0022196	VPX4,VSP
	13101-ZF6-W01	PISTON(STD.)	1	-	0010517	0022196 LH,QH,SH,SHE,SM11,SX,SXC,SXE,VX
	13102-ZF6-W01	PISTON(0.25)	(1)	-	0010517	0022196 LH,QH,SH,SHE,SM11,SX,SXC,SXE,VX
	13103-ZF6-W01	PISTON(0.50)	(1)	-	0010517	0022196 LH,QH,SH,SHE,SM11,SX,SXC,SXE,VX
	13104-ZF6-W01	PISTON(0.75)	(1)	-	0010517	0022196 LH,QH,SH,SHE,SM11,SX,SXC,SXE,VX
	13101-Z7E-800	PISTON(STD.)	1	-	0022197	----- LH,QH,SH,SHE,SM11,SX,SXC,SXE,VPX4,VSP,VX
	13102-Z7E-800	PISTON(0.25)	(1)	-	0022197	----- LH,QH,SH,SHE,SM11,SX,SXC,SXE,VPX4,VSP,VX
	13103-Z7E-800	PISTON(0.50)	(1)	-	0022197	----- LH,QH,SH,SHE,SM11,SX,SXC,SXE,VPX4,VSP,VX
	13104-Z7E-800	PISTON(0.75)	(1)	-	0022197	----- LH,QH,SH,SHE,SM11,SX,SXC,SXE,VPX4,VSP,VX
	13101-Z7E-930	PISTON(STD.)	-	1		
	13102-Z7E-930	PISTON(0.25)	-	(1)		
	13103-Z7E-930	PISTON(0.50)	-	(1)		
	13104-Z7E-930	PISTON(0.75)	-	(1)		
3	13111-Z7E-000	PIN, PISTON	1	-	-----	EDF6,EDS1,EDS2,EDT1,ES2,ES3S,ES4S,LH,LH1,LH2,LHB5,LHP1,LXE9,PX,QA2,QBE1,QEBR,QH,QH1,QHB1,QHB3,QHB5,QHBR,QHE,QHP1,QMH,QN,QP,QX,QXBR,QXE,QXEK,QXHQ,QXK,SH,SH1,SHE,SM11,SWE2,SWX2,SX,SX1,SXC,SXC1,SXE,SXE1,VMQ3, VMT3,VPKK,VPXB,VPXE,VPXJ,VPXK,VPXX,VS4,VS6,VSB4,VTE5,VX,VX1,VX1M,VXE,VXEK,VXEM,VXK,VXKS,VXU1
	13111-ZF6-W00	-----	1	-	0001148	VPX4,VSP
	13111-Z7E-000	-----	1	-	0001149	VPX4,VSP
	13111-Z5T-000	-----	-	1		
4	13200-Z1C-305	ROD ASSY., CONNECTING (0.25 UNDER SIZE)	(1)	-	-----	EDF6,EDS1,EDS2,EDT1,VSP
	13200-Z7E-000	ROD ASSY., CONNECTING(JLH) (IDENT MARK Z)	1	-	-----	EDF6,EDS2,ES2,LH1,LH2,LHB5,LHP1,LXE9,PX,QBE1,QEBR,QH1,QHB1,QHB3,QHB5,QHBR,QHE,QHP1,QMH,QN,QP,QX,QXBR,QXE,QXEK,QXK,SH1,SWE2,SWX2,SX1,SXC1,SXE1,VMQ3,VMT3,VPKK,VPXJ,VPXK,VPXX,VS4,VS6,VSB4,VTE5,VX1,VX1M,VXE,VXEK,VXEM,VXK,VXKS,VXU1

E-8

PISTON

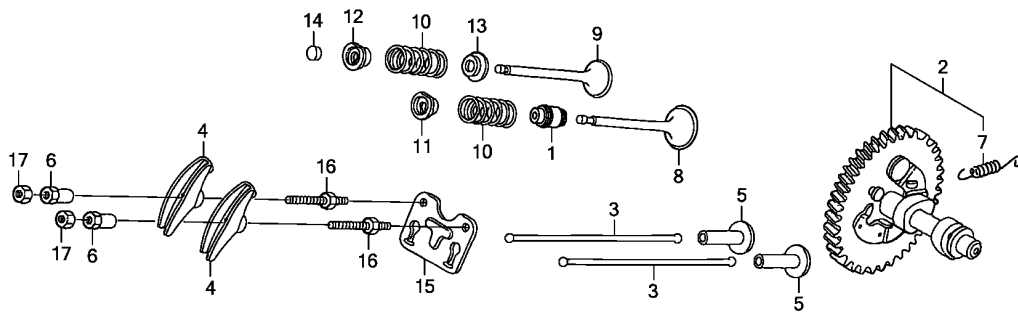
Ref. No.	Part No.	Description	Reqd. QTY		Serial No.	Parts catalogue code
			GX 390 H1	GX 390 H2		
(4)	13200-Z1C-000	ROD ASSY., CONNECTING(STD.) -	1	-	-----	EDS1,EDS2,EDT1,ES3S,ES4S,QH,QXHQ,SH,SM11,SX,VPXB,VPXE,VSP,VX,VXEK,VXKS
	13200-ZE3-315	ROD ASSY., CONNECTING (0.25 UNDER SIZE)	(1)	-	-----	ES2,ES3S,ES4S,LH,QA2,QH,QHE,QXHQ,SH,SHE,SM11,SX,SXC,SXE,VMQ3,VMT3,VPKK,VPX4,VPXB,VPXE,VPXJ,VPXK,VPXX,VS4,VS6,USB4,VX,VXEK,VXKS
	13200-Z7E-305	ROD ASSY., CONNECTING(JLH) (0.25 UNDER SIZE)	(1)	-	-----	ES2,LH1,LH2,LHB5,LHP1,LXE9,PX,QBE1,QEBR,QH1,QHB1,QHB3,QHB5,QHBR,QHP1,QMH,QN,QP,QX,QXBR,QXE,QXEK,QXK,SH1,SWE2,SWX2,SX1,SXC1,SXE1,VMQ3,VMT3,VS4,VS6,USB4,VTE5,VX1,VX1M,VXE,VXEM,VXK,VXU1
	13200-ZE3-020	ROD ASSY., CONNECTING(STD.) -	1	-	-----	QA2
	13200-Z1C-000	.....	1	-	0029325	VPX4
	13200-Z1C-000	.....	1	-	0139755	LH,SHE,SXC,SXE
	13200-Z7E-000	ROD ASSY., CONNECTING(JLH) (IDENT MARK Z)	1	-	0029326	VPX4
	13200-Z1C-000	ROD ASSY., CONNECTING(STD.) -	-	1	-----	
	13200-Z1C-305	ROD ASSY., CONNECTING (0.25 UNDER SIZE)	-	(1)	-----	
	13200-Z7E-000	ROD ASSY., CONNECTING(JLH) (IDENT MARK Z)	-	1	-----	
5	90001-Z7E-000	BOLT, CONNECTING ROD(FOR JLH)	2	-	-----	EDF6,EDS2,ES2,LH1,LH2,LHB5,LHP1,LXE9,PX,QBE1,QEBR,QH1,QHB1,QHB3,QHB5,QHBR,QHE,QHP1,QMH,QN,QP,QX,QXBR,QXE,QXEK,QXK,SH1,SWE2,SWX2,SX1,SXC1,SXE1,VMQ3,VMT3,VPKK,VPXJ,VPXK,VPXX,VS4,VS6,USB4,VTE5,VX1,VX1M,VXE,VXEK,VXEM,VXK,VXKS,VXU1
	90001-ZE8-000	BOLT, CONNECTING ROD .....	2	-	-----	EDS1,EDS2,EDT1,ES3S,ES4S,QA2,QH,QXHQ,SH,SM11,SX,VPX4,VPXB,VPXE,VSP,VX,VXEK,VXKS
	90001-Z7E-000	BOLT, CONNECTING ROD(FOR JLH)	2	-	0139755	LH,SHE,SXC,SXE
	90001-Z7E-000	BOLT, CONNECTING ROD(FOR JLH)	2	-	0139756	LH,SHE,SXC,SXE
	90001-Z7E-000	BOLT, CONNECTING ROD(FOR JLH)	2	-	0373907	EDS1,EDT1,ES3S,ES4S,QA2,QH,QXHQ,SH,SM11,SX,VPX4,VPXB,VPXE,VSP,VX
	90001-ZE8-000	BOLT, CONNECTING ROD .....	-	2	-----	
6	90601-ZE3-000	CLIP, PISTON PIN, 20MM .....	2	2	-----	





E-9

CAMSHAFT



Z7E0E0900

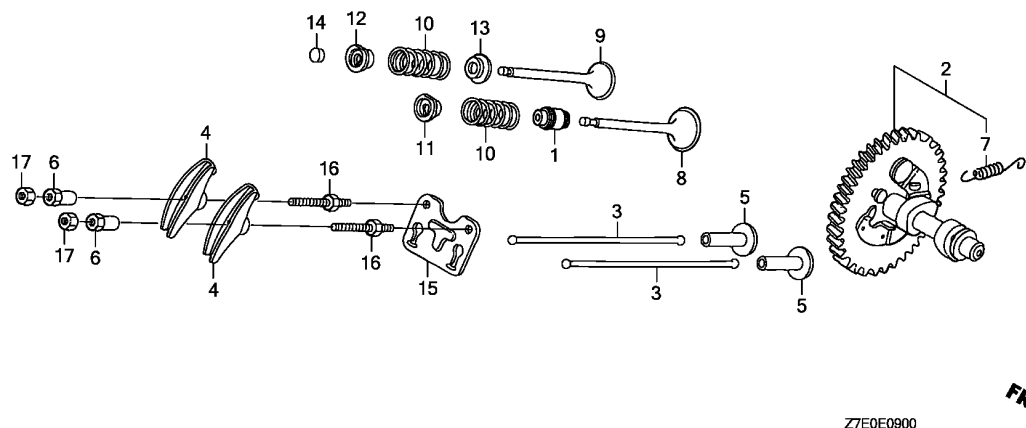


Ref. No.	L.O.N.	(Relative ref. Number) Description	F.R.T.
1	1111K2	SEAL, INTAKE VALVE STEM ..... .INCLUDES: Valve clearance adjustment	0.6
2	1111C2	CAMSHAFT ..... .INCLUDES: Valve clearance adjustment	0.4
3	1111L6	ROD, PUSH :INTAKE ..... .INCLUDES: Valve clearance adjustment	0.2
	1111L6A	.Replace exhaust push rod add	0.1
	1111L7	ROD, PUSH :EXHAUST ..... .INCLUDES: Valve clearance adjustment	0.2
	1111L7A	.Replace intake push rod add	0.1
4	1111A2	ARM, ROCKER :INTAKE ..... .INCLUDES: Valve clearance adjustment	0.2
	1111A2A	.Replace exhaust rocker arm add	0.1
	1111A1	ARM, ROCKER :EXHAUST ..... .INCLUDES: Valve clearance adjustment	0.2
	1111A1A	.Replace intake rocker arm add	0.1
+ 5	1111L9	LIFTER, VALVE :INTAKE ..... .INCLUDES: Valve clearance adjustment	0.4

Ref. No.	Part No.	Description	Reqd. QTY		Serial No.	Parts catalogue code
			GX 390 H1	GX 390 H2		
1	12209-Z7E-003	SEAL, VALVE STEM .....	1	-	-----	EDF6,EDS2,ES2,ES3S,ES4S,LH,LH1,LH2,LHB5,LHP1,LXE9,PX,QA2,QBE1,QEBR,QH1,QHB1,QHB3,QHB5,QHBR,QHE,QHP1,QMH,QN,QP,QX,QXBR,QXE,QXEK,QXHQ,QXKSH,SH1,SHE,SM11,SWE2,SWX2,SX,SX1,SXC,SXC1,SXE,SXE1,VMQ3,VMT3,VPKKVPXB,VPXE,VPXJ,VPXK,VPXX,VS4,VS6,VS4,VS6,VS4,VTE5,VX,VX1,VX1M,VXE,VXEK,VXEMVXK,VXKS,VXU1
	12209-ZE8-003	.....	1	-	0000128	EDS1,EDT1
	12209-Z7E-003	.....	1	-	0001148	VPX4,VSP
			1	-	0000129	EDS1,EDT1
			1	-	0001149	VPX4,VSP
			-	1		
2	14100-ZF6-W01	CAMSHAFT ASSY. ....	1	-	-----	
	14100-Z7E-930	.....	-	1		
3	14410-Z7E-000	ROD, PUSH .....	2	-	-----	EDF6,EDS2,ES2,ES3S,ES4S,LH,LH1,LH2,LHB5,LHP1,LXE9,PX,QA2,QBE1,QEBR,QH1,QHB1,QHB3,QHB5,QHBR,QHE,QHP1,QMH,QN,QP,QX,QXBR,QXE,QXEK,QXHQ,QXKSH,SH1,SHE,SM11,SWE2,SWX2,SX,SX1,SXC,SXC1,SXE,SXE1,VMQ3,VMT3,VPKKVPXB,VPXE,VPXJ,VPXK,VPXX,VS4,VS6,VS4,VS6,VS4,VTE5,VX,VX1,VX1M,VXE,VXEK,VXEMVXK,VXKS,VXU1
	14410-ZE3-013	.....	2	-	0000128	EDS1,EDT1,VPX4
	14410-Z1C-000	.....	2	-	0000128	VSP
	14410-Z7E-000	.....	2	-	0000129	EDS1,EDT1,VPX4,VSP
			-	2		
4	14431-ZE2-010	ARM, VALVE ROCKER .....	2	2		
5	14441-Z7E-000	LIFTER, VALVE .....	2	-	-----	EDF6,EDS2,ES2,ES3S,ES4S,LH,LH1,LH2,LHB5,LHP1,LXE9,PX,QA2,QBE1,QEBR,QH1,QHB1,QHB3,QHB5,QHBR,QHE,QHP1,QMH,QN,QP,QX,QXBR,QXE,QXEK,QXHQ,QXKSH,SH1,SHE,SM11,SWE2,SWX2,SX,SX1,SXC,SXC1,SXE,SXE1,VMQ3,VMT3,VPKKVPXB,VPXE,VPXJ,VPXK,VPXX,VS4,VS6,VS4,VS6,VS4,VTE5,VX,VX1,VX1M,VXE,VXEK,VXEMVXK,VXKS,VXU1
	14441-ZE2-000	.....	2	-	0000128	EDS1,EDT1,VPX4,VSP

E-9

CAMSHAFT



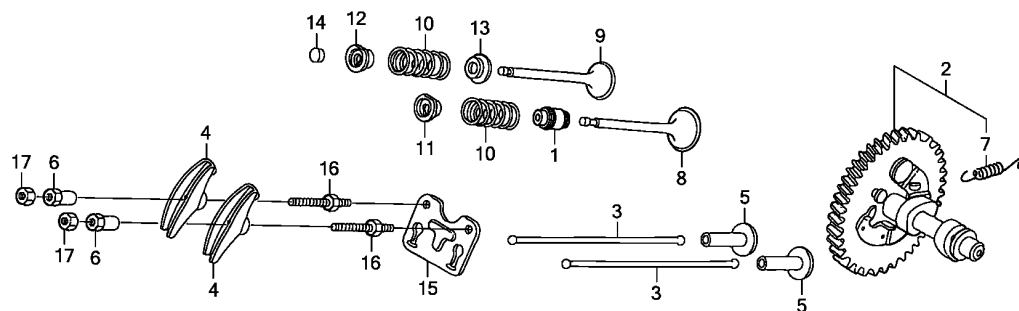
Ref. No.	L.O.N.	(Relative ref. Number) Description	F.R.T.
+ 5		.INCLUDES: Valve clearance adjustment .NOTE: Same time for two units	
1111M0		LIFTER, VALVE :EXHAUST .....	0.4
8	1111L1	.INCLUDES: Valve clearance adjustment .NOTE: Same time for two units VALVE, INTAKE .....	0.7
1111L1E		.INCLUDES: Valve clearance adjustment and reface .Replace intake and exhaust all add .....	0.2
9	1111L0	VALVE, EXHAUST .....	0.7
1111L0E		.INCLUDES: Valve clearance adjustment and reface .Replace intake and exhaust all add .....	0.2
10	1111P3	SPRING, VALVE :INTAKE .....	0.6
1111P3A		.INCLUDES: Valve clearance adjustment .Replace intake and exhaust all add .....	0.1
1111P4		SPRING, VALVE :EXHAUST .....	0.6
+		.INCLUDES: Valve clearance adjustment	

Ref. No.	Part No.	Description	Reqd. QTY		Serial No.	Parts catalogue code
			GX 390 H1	GX 390 H2		
(5)	14441-Z7E-000	LIFTER, VALVE .....	2	-	0000129	----- EDS1,EDT1,VPX4,VSP
			-	2		
6	14451-Z7E-000	PIVOT, ROCKER ARM .....	2	2		
7	14568-ZE1-000	SPRING, WEIGHT RETURN .....	1	1		
8	14711-Z7E-000	VALVE, IN. ....	1	-	-----	----- EDF6,EDS2,ES2,LH,LH1,LH2,LHB5,LHP1,LXE9,PX,QA2,QBE1,QEBR,QH,QH1,QHB1,QHB3,QHB5,QHBR,QHE,QHP1,QMH,QN,QP,QX,QXBR,QXE,QXEK,QXHQ,QXK,SH,SH1,SHE,SM11,SWE2,SWX2,SX,SX1,SXC,SXC1,SXE,SXE1,VMQ3,VMT3,VPKK,VPXB,VPXE,VPXJ,VPXK,VPXX,VTE5,VX,VX1,VX1M,VXE,VXEM,VXK,VXKS,VXU1
	14711-ZE3-000	.....	1	-	-----	0000128 EDS1,EDT1,VPX4,VSP
			1	-	-----	0658884 ES3S,ES4S
	14711-Z7E-000	.....	1	-	0000129	----- EDS1,EDT1,VPX4,VSP
			1	-	0658885	----- ES3S,ES4S
	14711-Z5T-900	.....	-	1		
9	14721-Z7E-800	VALVE, EX. (STELLITE) .....	1	-	-----	----- EDF6,EDS2,ES2,VMQ3,VMT3,VS4,VS6,VS4,VXEK,VXKS
	14721-Z7E-000	VALVE, EX. ....	1	-	-----	----- LH,LH1,LH2,LHB5,LHP1,LXE9,PX,QA2,QBE1,QEBR,QH,QH1,QHB1,QHB3,QHB5,QHBR,QHE,QHP1,QMH,QN,QP,QX,QXBR,QXE,QXEK,QXHQ,QXK,SH,SH1,SHE,SM11,SWE2,SWX2,SX,SX1,SXC,SXC1,SXE,SXE1,VPKK,VPXB,VPXE,VPXJ,VPXK,VPXX,VTE5,VX,VX1,VX1M,VXE,VXEM,VXK,VXU1
	14721-ZE3-000	.....	1	-	0000128	VPX4,VSP
	14721-ZE3-810	VALVE, EX. (STELLITE) .....	1	-	0002756	EDS1,EDT1
			1	-	0659972	ES3S,ES4S
	14721-Z7E-000	VALVE, EX. ....	1	-	0000129	VPX4,VSP
	14721-Z7E-800	VALVE, EX. (STELLITE) .....	1	-	0002757	EDS1,EDT1
			1	-	0659973	ES3S,ES4S
	14721-Z5T-800	.....	-	1	-----	----- EDS1,EDS2,EDT1,ES2,VXEK,VXKS
	14721-Z5T-900	VALVE, EX. ....	-	1	-----	----- LH,LH1,PX,QH,QH1,QHE,QMH,QN,QX,QXE,QXHQ,SH,SH1,SHE,SM11,SWX2,SX,SX1,SXC,SXC1,VPKK,VPXB,VPXE,VPXK,VPXX,VTE5,VX,VX1,VX1M,VXE,VXEM



E-9

CAMSHAFT



Z7E0E0900

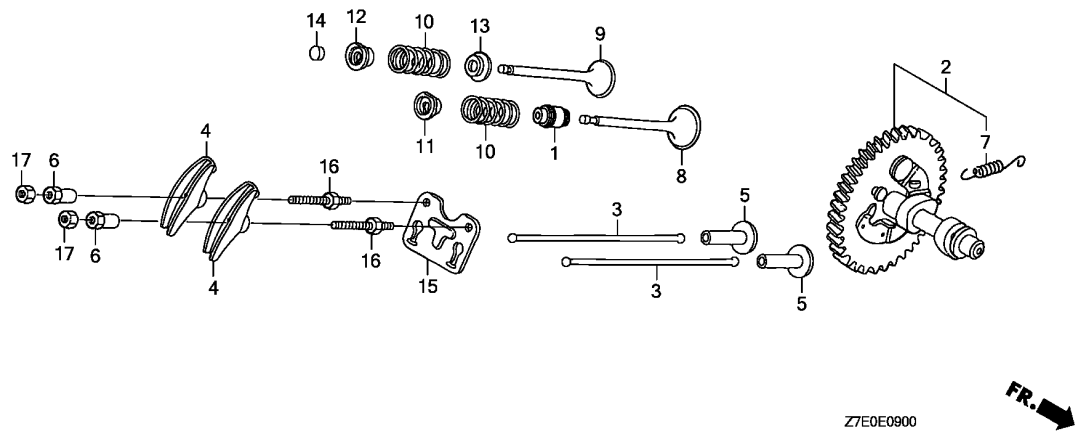


Ref. No.	L.O.N.	(Relative ref. Number) Description	F.R.T.
+10	1111P4A	.Replace intake and exhaust all add .....	0.1
14	1111J7	ROTATOR, VALVE .....	0.2
		.INCLUDES: Valve clearance adjustment	

Ref. No.	Part No.	Description	Reqd. QTY		Serial No.	Parts catalogue code
			GX 390 H1	GX 390 H2		
10	14751-Z7E-000	SPRING, VALVE .....	2	-	-----	EDF6,EDS2,ES2,ES3S,ES4S,LH,LH1,LH2,LHB5,LHP1,LXE9,PX,QA2,QBE1,QEBR,QH,QH1,QHB1,QHB3,QHB5,QHBR,QHE,QHP1,QMH,QN,QP,QX,QXBR,QXE,QXEK,QXHQ,QXK,SH,SH1,SHE,SM11,SWE2,SWX2,SX,SX1,SXC,SXC1,SXE,SXE1,VMQ3,VMT3,VPKK,VPXB,VPXE,VPXJ,VPXK,VPXX,VS4,VS6,VS4,VS6,VS4,VTE5,VX,VX1,VX1M,VXE,VXEK,VXEM,VXK,VXKS,VXU1
	14751-ZE2-003	.....	2	-	0000128	EDS1,EDT1,VPX4
	14751-Z1C-000	.....	2	-	0000128	VSP
	14751-Z7E-000	.....	2	-	0000129	EDS1,EDT1,VPX4,VSP
			-	2		
11	14771-ZE2-000	RETAINER, IN. VALVE SPRING ..	1	1		
12	14773-ZE2-000	RETAINER, EX. VALVE SPRING ..	1	-		
	14771-ZE2-000	RETAINER, IN. VALVE SPRING ..	-	1		
		(EXHAUST SIDE)				
13	14775-ZE2-010	SEAT, VALVE SPRING .....	1	1		
14	14781-Z7E-000	ROTATOR, VALVE .....	1	-	-----	ES2,ES3S,ES4S,LH,LH1,LH2,LHB5,LHP1,LXE9,PX,QA2,QBE1,QEBR,QH,QH1,QHB1,QHB3,QHB5,QHBR,QHE,QHP1,QMH,QN,QP,QX,QXBR,QXE,QXEK,QXHQ,QXK,SH,SH1,SHE,SM11,SWE2,SWX2,SX,SX1,SXC,SXC1,SXE,SXE1,VMQ3,VMT3,VPKK,VPXB,VPXE,VPXJ,VPXK,VPXX,VS4,VS6,VS4,VS6,VS4,VTE5,VX,VX1,VX1M,VXE,VXEK,VXEM,VXK,VXKS,VXU1
	14781-ZE2-000	.....	1	-	0001508	EDS1,EDT1,VPX4,VSP
	14781-Z7E-000	.....	1	-	0001509	EDS1,EDT1,VPX4,VSP
15	14791-Z7E-000	GUIDE, PUSH ROD .....	1	-	-----	EDF6,EDS2,ES2,LH,LH1,LH2,LHB5,LHP1,LXE9,PX,QA2,QBE1,QEBR,QH,QH1,QHB1,QHB3,QHB5,QHBR,QHE,QHP1,QMH,QN,QP,QX,QXBR,QXE,QXEK,QXHQ,QXK,SH,SH1,SHE,SM11,SWE2,SWX2,SX,SX1,SXC,SXC1,SXE,SXE1,VMQ3,VMT3,VPKK,VPXB,VPXE,VPXJ,VPXK,VPXX,VS4,VS6,VS4,VS6,VS4,VTE5,VX,VX1,VX1M,VXE,VXEK,VXEM,VXK,VXKS,VXU1
	14791-ZE2-010	.....	1	-	-----	ES3S,ES4S
			1	-	0001616	EDS1,EDT1,VPX4,VSP

E-9

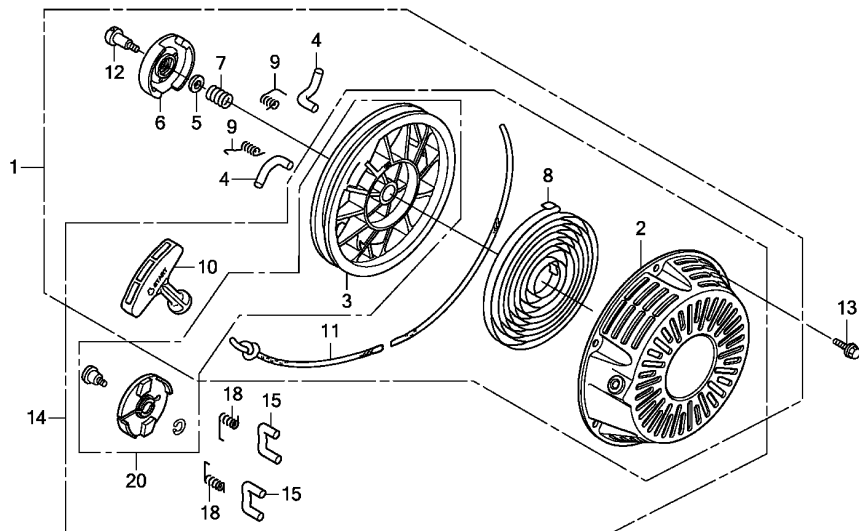
CAMSHAFT



Ref. No.	Part No.	Description	Reqd. QTY		Serial No.	Parts catalogue code
			GX 390 H1	GX 390 H2		
15)	14791-Z7E-000	GUIDE, PUSH ROD .....	1	-	0001617 -----	EDS1,EDT1,VPX4,VSP
			-	1		
	16	90012-ZE0-010	2	2		
	17	90206-ZE1-000	2	2		

# E-11

# RECOIL STARTER(1)



FR. →  
Z7E0E1100B

Ref. No.	L.O.N.	(Relative ref. Number) Description	F.R.T.
1	(14)		
1	1121B9	STARTER, RECOIL .....	0.1
3	(20)		
3	1121B1	REEL, RECOIL STARTER .....	0.3
4	(9,15,18)		
4	1121B0	STARTER RATCHET AND/OR SPRING .....	0.2
6	(7)		
6	1121A4	GUIDE, RATCHET .....	0.2
8	1121B7	SPRING, RECOIL STARTER RETURN .....	0.3
10	1121A3	GRIP, RECOIL STARTER .....	0.1
11	1121B3	ROPE, RECOIL STARTER .....	0.3

Ref. No.	Part No.	Description	Reqd. QTY		Serial No.	Parts catalogue code
			GX 390 H1	GX 390 H2		
1	28400-Z7E-003ZB	STARTER ASSY., RECOIL *R280*.....POWER RED	1	-	0281238	EDS1,EDT1,ES2,LH,LH1,LH2,LHB5,LHP1,LXE9,PX,QA2,QBE1,QH,QH1,QHB1,QHB3,QHB5,QHP1,QMH,QN,QP,QX,QXE,QXEK,QXHQ,QXK,SH,SH1,SHE,SM11,SWE2,SWX2,SX,SX1,SXC,SXC1,SXE,SXE1,VMQ3,VMT3,VPXB,VPXE,VS4,VS6,VS4,VS6,VS4,VTE5,VX,VX1,VXE,VXK,VXU1
	28400-Z7E-003ZA	*NH1*.....BLACK	1	-	0281238	QXHQ,SX
	28400-Z7E-003ZB	*R280*.....POWER RED	1	-	0001867	0281238 VPX4,VSP
2	28410-Z7E-003ZB	CASE COMP., RECOIL STARTER *R280*.....POWER RED	1	-	0281238	EDS1,EDT1,ES2,LH,LH1,LH2,LHB5,LHP1,LXE9,PX,QA2,QBE1,QH,QH1,QHB1,QHB3,QHB5,QHP1,QMH,QN,QP,QX,QXE,QXEK,QXHQ,QXK,SH,SH1,SHE,SM11,SWE2,SWX2,SX,SX1,SXC,SXC1,SXE,SXE1,VMQ3,VMT3,VPXB,VPXE,VS4,VS6,VS4,VS6,VS4,VTE5,VX,VX1,VXE,VXK,VXU1
	28410-Z7E-003ZA	*NH1*.....BLACK	1	-	0281238	QXHQ,SX
	28410-Z7E-701ZA	*R280*.....POWER RED	1	-	0386426	QEBR,QHBR,QXBR,VPXJ
	28410-Z7E-003ZB	*R280*.....POWER RED	1	-	0001867	0281238 VPX4,VSP
	28410-Z7E-701ZA	*R280*.....POWER RED	1	-	0281239	0386426 EDS1,EDT1,ES2,LH,LH1,LH2,LHB5,LHP1,LXE9,PX,QA2,QBE1,QH,QH1,QHB1,QHB3,QHB5,QHP1,QMH,QN,QP,QX,QXE,QXEK,QXHQ,QXK,SH,SH1,SHE,SM11,SWE2,SWX2,SX,SX1,SXC,SXC1,SXE,SXE1,VMQ3,VMT3,VPX4,VPXB,VPXE,VS4,VS6,VS4,VS6,VS4,VSP,VTE5,VX,VX1,VXE,VXK,VXU1
	28410-Z7E-701ZB	*NH1*.....BLACK	1	-	0281239	0386426 EDS1,EDT1,QXHQ,SX,VSP
3	28420-Z7E-003	REEL, RECOIL STARTER .....	1	-	0281238	EDS1,EDT1,ES2,LH,LH1,LH2,LHB5,LHP1,LXE9,PX,QA2,QBE1,QH,QH1,QHB1,QHB3,QHB5,QHP1,QMH,QN,QP,QX,QXE,QXEK,QXHQ,QXK,SH,SH1,SHE,SM11,SWE2,SWX2,SX,SX1,SXC,SXC1,SXE,SXE1,VMQ3,VMT3,VPXB,VPXE,VS4,VS6,VS4,VS6,VS4,VTE5,VX,VX1,VXE,VXK,VXU1
			1	-	0001867	0281238 VPX4,VSP

**E-11**

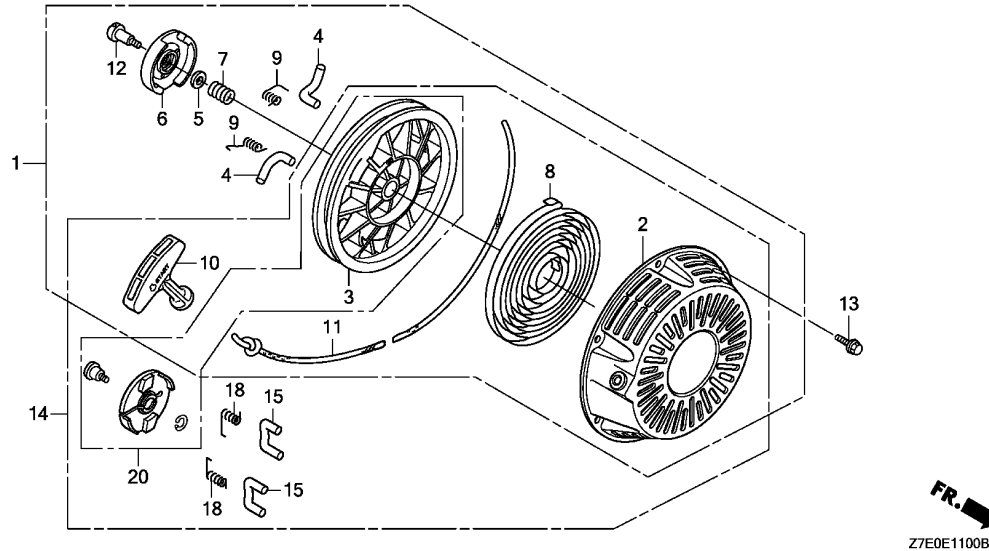
**RECOIL STARTER(1)**

Ref. No.	Part No.	Description	Reqd. QTY		Serial No.	Parts catalogue code
			GX 390 H1	GX 390 H2		
4	28422-ZH8-801	RATCHET, STARTER .....	2	-	0281238	EDS1,EDT1,ES2,LH,LH1,LH2,LHB5,LHP1,LXE9,PX,QA2,QBE1,QH,QH1,QHB1,QHB3,QHB5,QHP1,QMH,QN,QP,QX,QXE,QXEK,QXHQ,QXK,SH,SH1,SHE,SM11,SWE2,SWX2,SX SX1,SXC,SXC1,SXE,SXE1,VMQ3,VMT3,VPXB,VPXE,VS4,VS6,VS4,VTE5,VX,VX1 VXE,VXK,VXU1
5	28431-ZH8-801	PLATE, FRICTION .....	2	-	0001867 0281238	VPX4,VSP
			1	-	0281238	EDS1,EDT1,ES2,LH,LH1,LH2,LHB5,LHP1,LXE9,PX,QA2,QBE1,QH,QH1,QHB1,QHB3,QHB5,QHP1,QMH,QN,QP,QX,QXE,QXEK,QXHQ,QXK,SH,SH1,SHE,SM11,SWE2,SWX2,SX SX1,SXC,SXC1,SXE,SXE1,VMQ3,VMT3,VPXB,VPXE,VS4,VS6,VS4,VTE5,VX,VX1 VXE,VXK,VXU1
			1	-	0001867 0281238	VPX4,VSP
6	28433-Z2E-003	GUIDE, RATCHET .....	1	-	0281238	EDS1,EDT1,ES2,LH,LH1,LH2,LHB5,LHP1,LXE9,PX,QA2,QBE1,QH,QH1,QHB1,QHB3,QHB5,QHP1,QMH,QN,QP,QX,QXE,QXEK,QXHQ,QXK,SH,SH1,SHE,SM11,SWE2,SWX2,SX SX1,SXC,SXC1,SXE,SXE1,VMQ3,VMT3,VPXB,VPXE,VS4,VS6,VS4,VTE5,VX,VX1 VXE,VXK,VXU1
			1	-	0001867 0281238	VPX4,VSP
7	28441-Z2E-003	SPRING, FRICTION .....	1	-	0281238	EDS1,EDT1,ES2,LH,LH1,LH2,LHB5,LHP1,LXE9,PX,QA2,QBE1,QH,QH1,QHB1,QHB3,QHB5,QHP1,QMH,QN,QP,QX,QXE,QXEK,QXHQ,QXK,SH,SH1,SHE,SM11,SWE2,SWX2,SX SX1,SXC,SXC1,SXE,SXE1,VMQ3,VMT3,VPXB,VPXE,VS4,VS6,VS4,VTE5,VX,VX1 VXE,VXK,VXU1
			1	-	0001867 0281238	VPX4,VSP
8	28442-Z7E-003	SPRING, RECOIL STARTER .....	1	-	0386426	EDS1,EDT1,ES2,LH,LH1,LH2,LHB5,LHP1,LXE9,PX,QA2,QBE1,QEBR,QH,QH1,QHB1,QHB3,QHB5,QHBR,QHP1,QMH,QN,QP,QX,QXBR,QXE,QXEK,QXHQ,QXK,SH,SH1,SHE SM11,SWE2,SWX2,SX,SX1,SXC,SXC1,SXE,SXE1,VMQ3,VMT3,VPXB,VPXE,VPXJ,VS4 VS6,VS4,VTE5,VX,VX1,VXE,VXK,VXU1
			1	-	0001867 0386426	VPX4,VSP
9	28443-ZH8-801	SPRING, RETURN .....	2	-	0281238	EDS1,EDT1,ES2,LH,LH1,LH2,LHB5,LHP1,LXE9,PX,QA2,QBE1,QH,QH1,QHB1,QHB3,QHB5,QHP1,QMH,QN,QP,QX,QXE,QXEK,QXHQ,QXK,SH,SH1,SHE,SM11,SWE2,SWX2,SX SX1,SXC,SXC1,SXE,SXE1,VMQ3,VMT3,VPXB,VPXE,VS4,VS6,VS4,VTE5,VX,VX1 VXE,VXK,VXU1
			2	-	0001867 0281238	VPX4,VSP
10	28461-Z2E-003	GRIP, STARTER .....	1	-	0386426	EDS1,EDT1,ES2,LH,LH1,LH2,LHB5,LHP1,LXE9,PX,QA2,QBE1,QEBR,QH,QH1,QHB1,QHB3,QHB5,QHBR,QHP1,QMH,QN,QP,QX,QXBR,QXE,QXEK,QXHQ,QXK,SH,SH1,SHE SM11,SWE2,SWX2,SX,SX1,SXC,SXC1,SXE,SXE1,VMQ3,VMT3,VPXB,VPXE,VPXJ,VS4 VS6,VS4,VTE5,VX,VX1,VXE,VXK,VXU1
			1	-	0001867 0386426	VPX4,VSP
11	28462-Z2E-003	ROPE, RECOIL STARTER .....	1	-	0281238	EDS1,EDT1,ES2,LH,LH1,LH2,LHB5,LHP1,LXE9,PX,QA2,QBE1,QH,QH1,QHB1,QHB3,QHB5,QHP1,QMH,QN,QP,QX,QXE,QXEK,QXHQ,QXK,SH,SH1,SHE,SM11,SWE2,SWX2,SX SX1,SXC,SXC1,SXE,SXE1,VMQ3,VMT3,VPXB,VPXE,VS4,VS6,VS4,VTE5,VX,VX1 VXE,VXK,VXU1
	28462-Z7E-701	.....	1	-	0386426	QEBR,QHBR,QXBR,VPXJ
	28462-Z2E-003	.....	1	-	0001867 0281238	VPX4,VSP
	28462-Z7E-701	.....	1	-	0281239 0386426	EDS1,EDT1,ES2,LH,LH1,LH2,LHB5,LHP1,LXE9,PX,QA2,QBE1,QH,QH1,QHB1,QHB3,QHB5,QHP1,QMH,QN,QP,QX,QXE,QXEK,QXHQ,QXK,SH,SH1,SHE,SM11,SWE2,SWX2,SX SX1,SXC,SXC1,SXE,SXE1,VMQ3,VMT3,VPX4,VPXB,VPXE,VS4,VS6,VS4,VTE5,VX,VX1 VXE,VXK,VXU1
12	90003-ZH8-801	SCREW, SETTING .....	1	-	0281238	EDS1,EDT1,ES2,LH,LH1,LH2,LHB5,LHP1,LXE9,PX,QA2,QBE1,QH,QH1,QHB1,QHB3,QHB5,QHP1,QMH,QN,QP,QX,QXE,QXEK,QXHQ,QXK,SH,SH1,SHE,SM11,SWE2,SWX2,SX SX1,SXC,SXC1,SXE,SXE1,VMQ3,VMT3,VPXB,VPXE,VS4,VS6,VS4,VTE5,VX,VX1 VXE,VXK,VXU1
			1	-	0001867 0281238	VPX4,VSP
13	90008-Z1T-000	BOLT, FLANGE, 6X10 .....	3	-	0386426	EDS1,EDT1,ES2,LH,LH1,LH2,LHB5,LHP1,LXE9,PX,QA2,QBE1,QEBR,QH,QH1,QHB1,QHB3,QHB5,QHBR,QHP1,QMH,QN,QP,QX,QXBR,QXE,QXEK,QXHQ,QXK,SH,SH1,SHE SM11,SWE2,SWX2,SX,SX1,SXC,SXC1,SXE,SXE1,VMQ3,VMT3,VPXB,VPXE,VPXJ,VS4 VS6,VS4,VTE5,VX,VX1,VXE,VXK,VXU1
			3	-	0001867 0386426	VPX4,VSP



# E-11

# RECOIL STARTER(1)

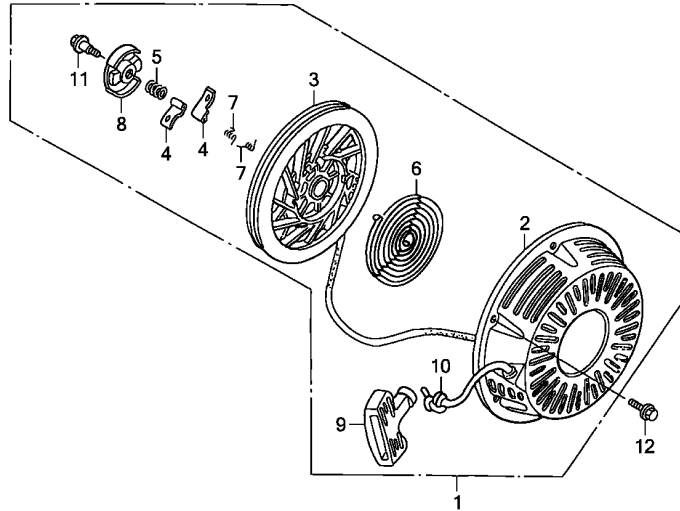


Z7E0E1100B

Ref. No.	Part No.	Description	Reqd. QTY		Serial No.	Parts catalogue code
			GX 390 H1	GX 390 H2		
14	28400-Z7E-701ZA	STARTER ASSY., RECOIL *R280*.....POWER RED	1	-	-----	0386426 QEBR,QHBR,QXBR,VPXJ
			1	-	0281239	0386426 EDS1,EDT1,ES2,LH,LH1,LH2,LHB5,LHP1,LXE9,PX,QA2,QBE1,QH,QH1,QHB1,QHB3,QHB5,QHP1,QMH,QN,QP,QX,QXE,QXEK,QXHQ,QXK,SH,SH1,SHE,SM11,SWE2,SWX2,SX,SX1,SXC,SXC1,SXE,SXE1,VMQ3,VMT3,VPX4,VPXB,VPXE,VS4,VS6,VS4,VS6,VS4,VSP,VTE5,VX,VX1,VXE,VXK,VXU1
	28400-Z7E-701ZB	*NH1*.....BLACK	1	-	0281239	0386426 EDS1,EDT1,QXHQ,SX,VSP
15	28422-Z7E-701	RATCHET, STARTER	2	-	-----	0386426 QEBR,QHBR,QXBR,VPXJ
			2	-	0281239	0386426 EDS1,EDT1,ES2,LH,LH1,LH2,LHB5,LHP1,LXE9,PX,QA2,QBE1,QH,QH1,QHB1,QHB3,QHB5,QHP1,QMH,QN,QP,QX,QXE,QXEK,QXHQ,QXK,SH,SH1,SHE,SM11,SWE2,SWX2,SX,SX1,SXC,SXC1,SXE,SXE1,VMQ3,VMT3,VPX4,VPXB,VPXE,VS4,VS6,VS4,VSP,VTE5,VX,VX1,VXE,VXK,VXU1
18	28443-Z1T-701	SPRING, RETURN	2	-	-----	0386426 QEBR,QHBR,QXBR,VPXJ
			2	-	0281239	0386426 EDS1,EDT1,ES2,LH,LH1,LH2,LHB5,LHP1,LXE9,PX,QA2,QBE1,QH,QH1,QHB1,QHB3,QHB5,QHP1,QMH,QN,QP,QX,QXE,QXEK,QXHQ,QXK,SH,SH1,SHE,SM11,SWE2,SWX2,SX,SX1,SXC,SXC1,SXE,SXE1,VMQ3,VMT3,VPX4,VPXB,VPXE,VS4,VS6,VS4,VSP,VTE5,VX,VX1,VXE,VXK,VXU1
20	06280-Z7E-305	STARTER SET, RECOIL	1	-	-----	0386426 QEBR,QHBR,QXBR,VPXJ
			1	-	0281239	0386426 EDS1,EDT1,ES2,LH,LH1,LH2,LHB5,LHP1,LXE9,PX,QA2,QBE1,QH,QH1,QHB1,QHB3,QHB5,QHP1,QMH,QN,QP,QX,QXE,QXEK,QXHQ,QXK,SH,SH1,SHE,SM11,SWE2,SWX2,SX,SX1,SXC,SXC1,SXE,SXE1,VMQ3,VMT3,VPX4,VPXB,VPXE,VS4,VS6,VS4,VSP,VTE5,VX,VX1,VXE,VXK,VXU1

# E-11-1

# RECOIL STARTER(2)



Z7E0E1101



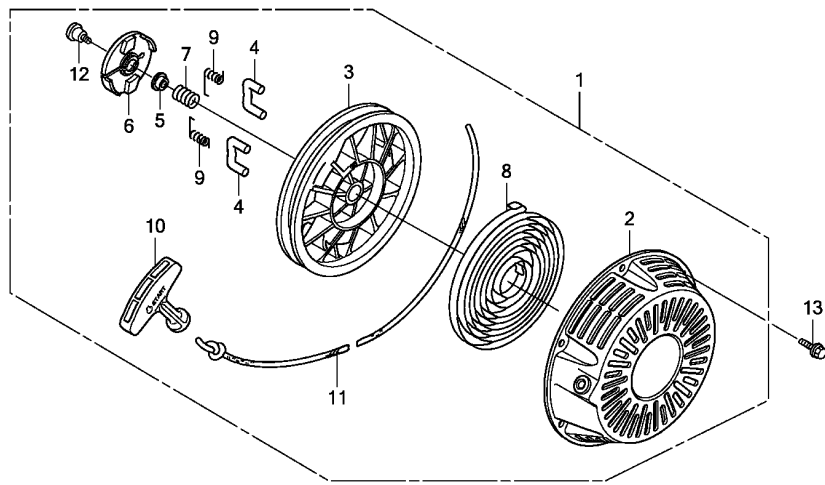
Ref. No.	L.O.N.	(Relative ref. Number) Description	F.R.T.
1	1121B9	STARTER, RECOIL .....	0.1
3	1121B1	REEL, RECOIL STARTER .....	0.3
4	1121B0	STARTER RATCHET AND/OR SPRING .NOTE: Same time for two units	0.2
6	1121B7	SPRING, RECOIL STARTER RETURN (5)	0.3
8	1121B2	RETAINER, SPRING .....	0.2
9	1121A3	GRIP, RECOIL STARTER .....	0.1
10	1121B3	ROPE, RECOIL STARTER .....	0.3

Ref. No.	Part No.	Description	Reqd. QTY		Serial No.	Parts catalogue code
			GX 390 H1	GX 390 H2		
1	28400-ZE3-W01ZB	STARTER ASSY., RECOIL	1	-	-----	ES3S,ES4S
	*NH1*.....	BLACK	1	-	-----	0001866 VPX4,VSP
	28400-ZE3-W01ZP	*R280*.....POWER RED	1	-	-----	0001866 VPX4,VSP
2	28410-ZE3-W01ZB	CASE COMP., RECOIL STARTER	1	-	-----	ES3S,ES4S
	*NH1*.....	BLACK	1	-	-----	0001866 VPX4,VSP
	28410-ZE3-W01ZP	*R280*.....POWER RED	1	-	-----	0001866 VPX4,VSP
3	28421-ZE3-W01	PULLEY, RECOIL STARTER .....	1	-	-----	ES3S,ES4S
			1	-	-----	0001866 VPX4,VSP
4	28422-ZE2-W01	RATCHET, STARTER .....	2	-	-----	ES3S,ES4S
			2	-	-----	0001866 VPX4,VSP
5	28441-ZE2-W01	SPRING, FRICTION .....	1	-	-----	ES3S,ES4S
			1	-	-----	0001866 VPX4,VSP
6	28442-ZE2-W01	SPRING, STARTER RETURN .....	1	-	-----	ES3S,ES4S
			1	-	-----	0001866 VPX4,VSP
7	28443-ZE2-W01	SPRING, RATCHET .....	2	-	-----	ES3S,ES4S
			2	-	-----	0001866 VPX4,VSP
8	28444-ZE2-W01	RETAINER, SPRING .....	1	-	-----	ES3S,ES4S
			1	-	-----	0001866 VPX4,VSP
9	28461-ZE2-W02	GRIP, STARTER .....	1	-	-----	ES3S,ES4S
			1	-	-----	0001866 VPX4,VSP
10	28462-ZE3-W01	ROPE, RECOIL STARTER .....	1	-	-----	ES3S,ES4S
			1	-	-----	0001866 VPX4,VSP
11	90004-ZE2-W01	SCREW, CENTER .....	1	-	-----	ES3S,ES4S
			1	-	-----	0001866 VPX4,VSP
12	90008-Z1T-000	BOLT, FLANGE, 6X10 .....	3	-	-----	ES3S,ES4S
	90008-ZE2-003	.....	3	-	-----	0001866 VPX4,VSP



E-11-2

RECOIL STARTER(3)



FR. →  
Z7E0E1102

Ref. No.	L.O.N.	(Relative ref. Number) Description	F.R.T.
1	1121B9	STARTER, RECOIL .....	0.1
3	1121B1	REEL, RECOIL STARTER .....	0.3
4	1121B0	STARTER RATCHET AND/OR SPRING (9) .....	0.2
6	1121A4	GUIDE, RATCHET .....	0.2
8	1121B7	SPRING, RECOIL STARTER RETURN .....	0.3
10	1121A3	GRIP, RECOIL STARTER .....	0.1
11	1121B3	ROPE, RECOIL STARTER .....	0.3

Ref. No.	Part No.	Description	Reqd. QTY		Serial No.	Parts catalogue code
			GX 390 H1	GX 390 H2		
1	28400-Z7E-702ZB	STARTER ASSY., RECOIL	1	-		EDF6,EDS2,VPKK,VPXK,VPXX
		*NH1*.....BLACK	1	-		QHE,VPKK,VPXK,VPXX,VX1M,VXEK,VXEM,VXKS
	28400-Z7E-702ZA	*R280*.....POWER RED	1	-	0386427	EDS1,EDT1,ES2,LH,LH1,LH2,LHB5,LHP1,LXE9,PX,QA2,QBE1,QEBR,QH,QH1,QHB1,QHB3,QHB5,QHBR,QHP1,QMH,QN,QP,QX,QXBR,QXE,QXEK,QXHQ,QXK,SH,SH1,SHE,SM11,SWE2,SWX2,SX,SX1,SXC,SXC1,SXE,SXE1,VMQ3,VMT3,VPX4,VPXB,VPXE,VPXJ,VS4,VS6,USB4,VSP,VTE5,VX,VX1,VXE,VXK,VXU1
	28400-Z7E-702ZB	*NH1*.....BLACK	1	-	0386427	EDS1,EDT1,QXHQ,SX,VSP
	28400-Z7E-702ZA	*R280*.....POWER RED	-	1		
	28400-Z7E-702ZB	*NH1*.....BLACK	-	1		
2	28410-Z7E-701ZB	CASE COMP., RECOIL STARTER	1	-		EDF6,EDS2,VPKK,VPXK,VPXX
		*NH1*.....BLACK	1	-		QHE,VPKK,VPXK,VPXX,VX1M,VXEK,VXEM,VXKS
	28410-Z7E-701ZA	*R280*.....POWER RED	1	-	0386427	EDS1,EDT1,ES2,LH,LH1,LH2,LHB5,LHP1,LXE9,PX,QA2,QBE1,QEBR,QH,QH1,QHB1,QHB3,QHB5,QHBR,QHP1,QMH,QN,QP,QX,QXBR,QXE,QXEK,QXHQ,QXK,SH,SH1,SHE,SM11,SWE2,SWX2,SX,SX1,SXC,SXC1,SXE,SXE1,VMQ3,VMT3,VPX4,VPXB,VPXE,VPXJ,VS4,VS6,USB4,VSP,VTE5,VX,VX1,VXE,VXK,VXU1
	28410-Z7E-701ZB	*NH1*.....BLACK	1	-	0386427	EDS1,EDT1,QXHQ,SX,VSP
	28410-Z7E-701ZA	*R280*.....POWER RED	-	1		
	28410-Z7E-701ZB	*NH1*.....BLACK	-	1		
3	28420-Z7E-702	REEL, RECOIL STARTER(BLACK)	1	-		EDF6,EDS2,QHE,VPKK,VPXK,VPXX,VX1M,VXEK,VXEM,VXKS
			1	-	0386427	EDS1,EDT1,ES2,LH,LH1,LH2,LHB5,LHP1,LXE9,PX,QA2,QBE1,QEBR,QH,QH1,QHB1,QHB3,QHB5,QHBR,QHP1,QMH,QN,QP,QX,QXBR,QXE,QXEK,QXHQ,QXK,SH,SH1,SHE,SM11,SWE2,SWX2,SX,SX1,SXC,SXC1,SXE,SXE1,VMQ3,VMT3,VPX4,VPXB,VPXE,VPXJ,VS4,VS6,USB4,VSP,VTE5,VX,VX1,VXE,VXK,VXU1
			-	1		

**E-11-2**

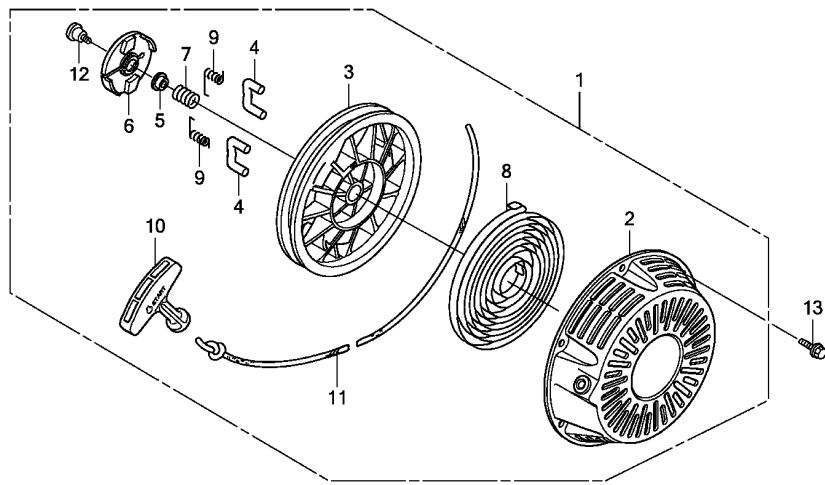
**RECOIL STARTER(3)**

Ref. No.	Part No.	Description	Reqd. QTY		Serial No.	Parts catalogue code
			GX 390 H1	GX 390 H2		
4	28422-Z7E-701	RATCHET, STARTER .....	2	-	-----	EDF6,EDS2,QHE,VPKK,VPXK,VPXX,VX1M,VXEK,VXEM,VXKS
			2	-	0386427	----- EDS1,EDT1,ES2,LH,LH1,LH2,LHB5,LHP1,LXE9,PX,QA2,QBE1,QEBR,QH,QH1,QHB1 QHB3,QHB5,QHBR,QHP1,QMH,QN,QP,QX,QXBR,QXE,QXEK,QXHQ,QXK,SH,SH1,SHE SM11,SWE2,SWX2,SX,SX1,SXC,SXC1,SXE,SXE1,VMQ3,VMT3,VPX4,VPXB,VPXE,VPXJ VS4,VS6,VS4,VSP,VTE5,VX,VX1,VXE,VXK,VXU1
5	28431-Z2E-003	PLATE, FRICTION .....	-	2	-----	EDF6,EDS2,QHE,VPKK,VPXK,VPXX,VX1M,VXEK,VXEM,VXKS
			1	-	0386427	----- EDS1,EDT1,ES2,LH,LH1,LH2,LHB5,LHP1,LXE9,PX,QA2,QBE1,QEBR,QH,QH1,QHB1 QHB3,QHB5,QHBR,QHP1,QMH,QN,QP,QX,QXBR,QXE,QXEK,QXHQ,QXK,SH,SH1,SHE SM11,SWE2,SWX2,SX,SX1,SXC,SXC1,SXE,SXE1,VMQ3,VMT3,VPX4,VPXB,VPXE,VPXJ VS4,VS6,VS4,VSP,VTE5,VX,VX1,VXE,VXK,VXU1
6	28433-Z7E-702	GUIDE, RATCHET .....	1	-	-----	EDF6,EDS2,QHE,VPKK,VPXK,VPXX,VX1M,VXEK,VXEM,VXKS
			1	-	0386427	----- EDS1,EDT1,ES2,LH,LH1,LH2,LHB5,LHP1,LXE9,PX,QA2,QBE1,QEBR,QH,QH1,QHB1 QHB3,QHB5,QHBR,QHP1,QMH,QN,QP,QX,QXBR,QXE,QXEK,QXHQ,QXK,SH,SH1,SHE SM11,SWE2,SWX2,SX,SX1,SXC,SXC1,SXE,SXE1,VMQ3,VMT3,VPX4,VPXB,VPXE,VPXJ VS4,VS6,VS4,VSP,VTE5,VX,VX1,VXE,VXK,VXU1
7	28441-Z2E-003	SPRING, FRICTION .....	-	1	-----	EDF6,EDS2,QHE,VPKK,VPXK,VPXX,VX1M,VXEK,VXEM,VXKS
			1	-	0386427	----- EDS1,EDT1,ES2,LH,LH1,LH2,LHB5,LHP1,LXE9,PX,QA2,QBE1,QEBR,QH,QH1,QHB1 QHB3,QHB5,QHBR,QHP1,QMH,QN,QP,QX,QXBR,QXE,QXEK,QXHQ,QXK,SH,SH1,SHE SM11,SWE2,SWX2,SX,SX1,SXC,SXC1,SXE,SXE1,VMQ3,VMT3,VPX4,VPXB,VPXE,VPXJ VS4,VS6,VS4,VSP,VTE5,VX,VX1,VXE,VXK,VXU1
8	28442-Z7E-003	SPRING, RECOIL STARTER .....	-	1	-----	EDF6,EDS2,QHE,VPKK,VPXK,VPXX,VX1M,VXEK,VXEM,VXKS
			1	-	0386427	----- EDS1,EDT1,ES2,LH,LH1,LH2,LHB5,LHP1,LXE9,PX,QA2,QBE1,QEBR,QH,QH1,QHB1 QHB3,QHB5,QHBR,QHP1,QMH,QN,QP,QX,QXBR,QXE,QXEK,QXHQ,QXK,SH,SH1,SHE SM11,SWE2,SWX2,SX,SX1,SXC,SXC1,SXE,SXE1,VMQ3,VMT3,VPX4,VPXB,VPXE,VPXJ VS4,VS6,VS4,VSP,VTE5,VX,VX1,VXE,VXK,VXU1
9	28443-Z1T-701	SPRING, RETURN .....	-	1	-----	EDF6,EDS2,QHE,VPKK,VPXK,VPXX,VX1M,VXEK,VXEM,VXKS
			2	-	0386427	----- EDS1,EDT1,ES2,LH,LH1,LH2,LHB5,LHP1,LXE9,PX,QA2,QBE1,QEBR,QH,QH1,QHB1 QHB3,QHB5,QHBR,QHP1,QMH,QN,QP,QX,QXBR,QXE,QXEK,QXHQ,QXK,SH,SH1,SHE SM11,SWE2,SWX2,SX,SX1,SXC,SXC1,SXE,SXE1,VMQ3,VMT3,VPX4,VPXB,VPXE,VPXJ VS4,VS6,VS4,VSP,VTE5,VX,VX1,VXE,VXK,VXU1
10	28461-Z2E-003	GRIP, STARTER .....	-	2	-----	EDF6,EDS2,QHE,VPKK,VPXK,VPXX,VX1M,VXEK,VXEM,VXKS
			1	-	0386427	----- EDS1,EDT1,ES2,LH,LH1,LH2,LHB5,LHP1,LXE9,PX,QA2,QBE1,QEBR,QH,QH1,QHB1 QHB3,QHB5,QHBR,QHP1,QMH,QN,QP,QX,QXBR,QXE,QXEK,QXHQ,QXK,SH,SH1,SHE SM11,SWE2,SWX2,SX,SX1,SXC,SXC1,SXE,SXE1,VMQ3,VMT3,VPX4,VPXB,VPXE,VPXJ VS4,VS6,VS4,VSP,VTE5,VX,VX1,VXE,VXK,VXU1
11	28462-Z7E-701	ROPE, RECOIL STARTER .....	-	1	-----	EDF6,EDS2,QHE,VPKK,VPXK,VPXX,VX1M,VXEK,VXEM,VXKS
			1	-	0386427	----- EDS1,EDT1,ES2,LH,LH1,LH2,LHB5,LHP1,LXE9,PX,QA2,QBE1,QEBR,QH,QH1,QHB1 QHB3,QHB5,QHBR,QHP1,QMH,QN,QP,QX,QXBR,QXE,QXEK,QXHQ,QXK,SH,SH1,SHE SM11,SWE2,SWX2,SX,SX1,SXC,SXC1,SXE,SXE1,VMQ3,VMT3,VPX4,VPXB,VPXE,VPXJ VS4,VS6,VS4,VSP,VTE5,VX,VX1,VXE,VXK,VXU1
12	90003-ZH8-801	SCREW, SETTING .....	-	1	-----	EDF6,EDS2,QHE,VPKK,VPXK,VPXX,VX1M,VXEK,VXEM,VXKS
			1	-	0386427	----- EDS1,EDT1,ES2,LH,LH1,LH2,LHB5,LHP1,LXE9,PX,QA2,QBE1,QEBR,QH,QH1,QHB1 QHB3,QHB5,QHBR,QHP1,QMH,QN,QP,QX,QXBR,QXE,QXEK,QXHQ,QXK,SH,SH1,SHE SM11,SWE2,SWX2,SX,SX1,SXC,SXC1,SXE,SXE1,VMQ3,VMT3,VPX4,VPXB,VPXE,VPXJ VS4,VS6,VS4,VSP,VTE5,VX,VX1,VXE,VXK,VXU1
			-	1	-----	EDF6,EDS2,QHE,VPKK,VPXK,VPXX,VX1M,VXEK,VXEM,VXKS



E-11-2

RECOIL STARTER(3)



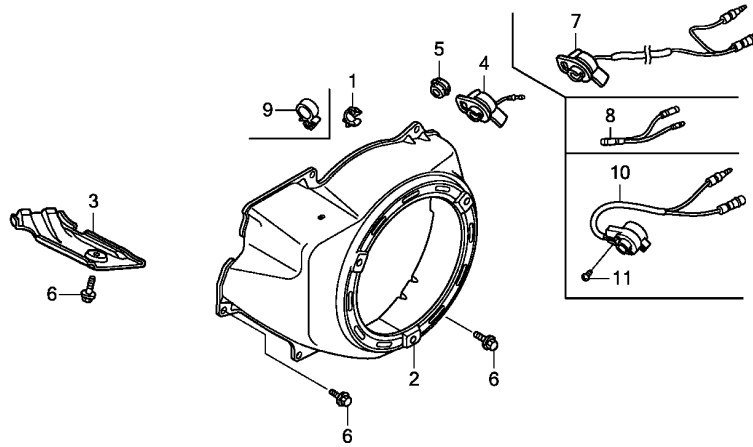
FR. Z7E0E1102

Ref. No.	Part No.	Description	Reqd. QTY		Serial No.	Parts catalogue code
			GX 390 H1	GX 390 H2		
13	90008-Z1T-000	BOLT, FLANGE, 6X10 .....	3	-	-----	EDF6,EDS2,QHE,VPKK,VPXK,VPXX,VX1M,VXEK,VXEM,VXKS
			3	-	0386427 -----	EDS1,EDT1,ES2,LH,LH1,LH2,LHB5,LHP1,LXE9,PX,QA2,QBE1,QEBR,QH,QH1,QHB1,QHB3,QHB5,QHBR,QHP1,QMH,QN,QP,QX,QXBR,QXE,QXEK,QXHQ,QXK,SH,SH1,SHE,SM11,SWE2,SWX2,SX,SX1,SXC,SXC1,SXE,SXE1,VMQ3,VMT3,VPX4,VPXB,VPXE,VPXJ,VS4,VS6,VS84,VSP,VTE5,VX,VX1,VXE,VXK,VXU1
	95701-06010-00	.....	-	3		

2

# E-12

# FAN COVER

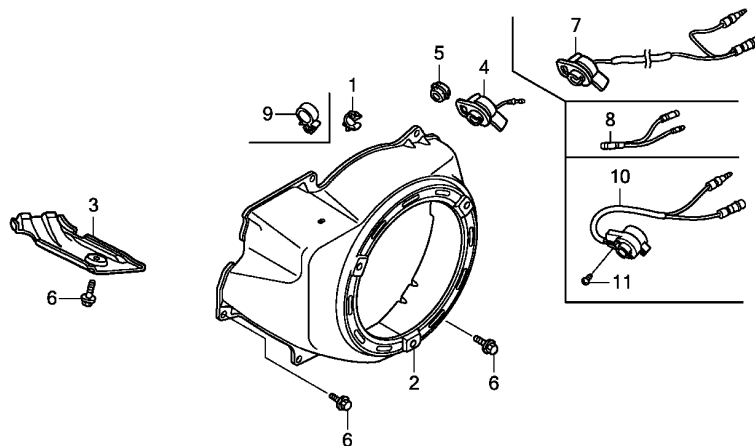


Ref. No.	L.O.N.	(Relative ref. Number) Description	F.R.T.
2	1141G8	COVER, ENGINE COOLING FAN ----	0.2
4		(7,10)	
	6151D9	SWITCH, ENGINE STOP .....	0.1
8	6111E5	SUB HARNESS, OIL LEVEL SWITCH	0.1

Ref. No.	Part No.	Description	Reqd. QTY		Serial No.	Parts catalogue code
			GX 390 H1	GX 390 H2		
1	16731-Z7E-000	CLIP, TUBE .....	1	1	-----	LH, LH1, LH2, LHB5, LHP1, LXE9, PX, QA2, QBE1, QEBR, QH, QH1, QHB1, QHB3, QHB5, QHBR, QHE, QHP1, QMH, QN, QP, QX, QXBR, QXE, QXEK, QXHQ, QXK, SH, SH1, SHE, SM11, SWE2, SWX2, SX, SX1, SXC, SXC1, SXE, SXE1, VPKK, VPXB, VPXE, VPXJ, VPXK, VPXX, VTE5, VX, VX1, VX1M, VXE, VXEK, VXEM, VXC, VXKS, VXU1
	16731-ZE2-003	.....	1	-	0012811	VPX4, VSP
	16731-Z7E-000	.....	1	-	0012812	VPX4, VSP
2	19610-Z7E-800ZA	COVER COMP., FAN *NH1*.....BLACK	1	-	-----	EDF6, EDS1, EDS2, EDT1, ES3S, ES4S
	19610-Z7E-800ZB	*R280*.....POWER RED	1	-	-----	EDS1, EDT1, ES2, VMQ3, VMT3, VS4, VS6, VSB4
	19610-Z7E-000ZB	*R280*.....POWER RED	1	-	-----	LH, LH1, LH2, LHB5, LHP1, LXE9, PX, QA2, QBE1, QEBR, QH, QH1, QHB1, QHB3, QHB5, QHBR, QHE, QHP1, QMH, QN, QP, QX, QXBR, QXE, QXEK, QXHQ, QXK, SH, SH1, SHE, SM11, SWE2, SWX2, SX, SX1, SXC, SXC1, SXE, SXE1, VPKK, VPXB, VPXE, VPXJ, VPXK, VPXX, VTE5, VX, VX1, VX1M, VXE, VXEK, VXEM, VXC, VXKS, VXU1
	19610-Z7E-000ZA	*NH1*.....BLACK	1	-	-----	QXHQ, SX, VPKK, VPXK, VPXX
	19610-ZE3-010ZL	*R280*.....POWER RED	1	-	-----	VSP
	19610-ZE3-W02ZF	*R280*.....POWER RED	1	-	0003244	VPX4
	19610-Z7E-000ZB	*R280*.....POWER RED	1	-	0003245	VPX4
	19610-Z5T-800ZA	*R280*.....POWER RED	-	1	-----	EDS1, EDS2, EDT1, ES2
	19610-Z5T-800ZC	*NH1*.....BLACK	-	1	-----	EDS1, EDS2, EDT1, ES2
	19610-Z5T-000ZA	*R280*.....POWER RED	-	1	-----	LH, LH1, PX, QH, QH1, QHE, QMH, QN, QX, QXE, QXHQ, SH, SH1, SHE, SM11, SWX2, SX, SX1, SXC, SXC1, VPKK, VPXB, VPXE, VPXK, VPXX, VTE5, VX, VX1, VX1M, VXE, VXEK, VXEM, VXKS
	19610-Z5T-000ZB	*NH1*.....BLACK	-	1	-----	LH, LH1, PX, QH, QH1, QHE, QMH, QN, QX, QXE, QXHQ, SH, SH1, SHE, SM11, SWX2, SX, SX1, SXC, SXC1, VPKK, VPXB, VPXE, VPXK, VPXX, VTE5, VX, VX1, VX1M, VXE, VXEK, VXEM, VXKS
3	19631-ZE3-W00	SHROUD .....	1	-	-----	
	19631-Z5T-000	.....	-	1	-----	
4	35120-Z0D-V81	SWITCH ASSY., ENGINE STOP ...	1	-	-----	LH, LH1, LH2, LHB5, LHP1, QH, QH1, QHB3, QHB5, QHBR, QHP1, QMH, QN, QP, SH, SH1, SM11
	35120-Z0T-801	.....	1	-	-----	LH1, LH2, LHB5, LHP1, QH1, QHB3, QHB5, QHBR, QHP1, QMH, QN, QP, SH1

# E-12

# FAN COVER

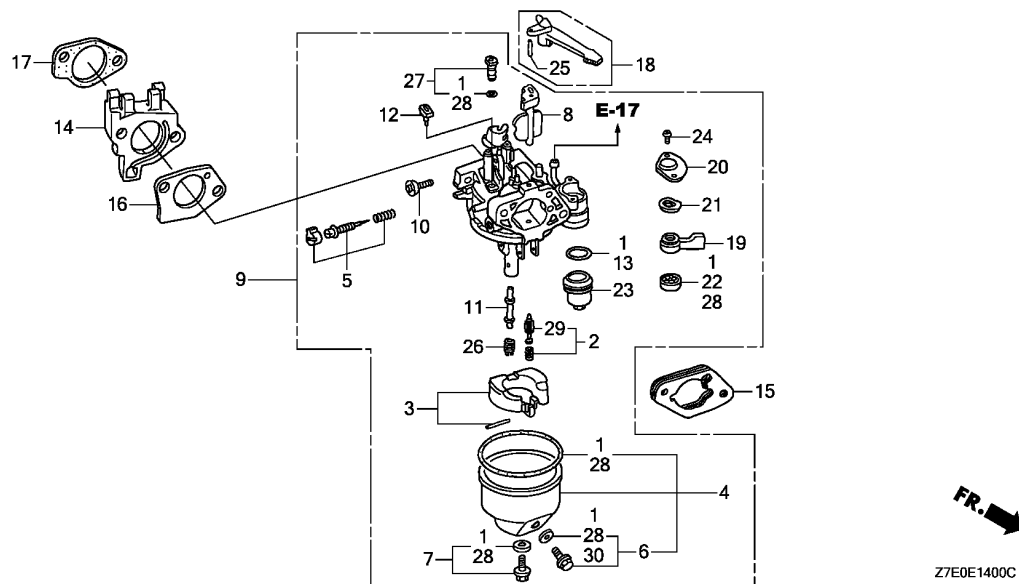


FR. Z7E0E1200C

Ref. No.	Part No.	Description	Reqd. QTY		Serial No.	Parts catalogue code
			GX 390 H1	GX 390 H2		
5	81329-567-020	GROMMET, DRAIN HOLE .....	1	1	-----	EDF6,EDS1,EDS2,EDT1,ES2,ES3S,ES4S,LXE9,QBE1,QEBR,QHB1,QHE,QXE,QXEK SHE,SWE2,SXE,SXE1,VMQ3,VMT3,VPKK,VPX4,VPXB,VPXE,VPXJ,VPXK,VPXX,VS4 VS6,VS84,VTE5,VXE,VXEK,VXEM,VXK,VXKS,VXU1
6	90013-883-000	BOLT, FLANGE, 6X12(CT200) ...	6	6	-----	
7	36100-ZF6-P82	SWITCH ASSY., ENGINE STOP ...	1	-	-----	PX,QA2,QX,QXBR,QXHQ,QXK,SWX2,SX,SX1,SXC,SXC1,VSP,VX,VX1,VX1M
	35120-Z0T-851	.....	1	-	-----	PX,QX,QXBR,QXK,SWX2,SX1,SXC1,VX1,VX1M
8	32197-ZH8-003	SUB HARNESS .....	1	-	-----	EDF6,EDS1,EDS2,EDT1
	32197-Z1T-000	.....	-	1	-----	EDS1,EDS2,EDT1
9	90654-SA4-003	CLIP, WIRE HARNESS, 6MM(WHITE)	2	2	-----	EDF6,EDS1,EDS2,EDT1,ES2,ES3S,ES4S,VMQ3,VMT3,VS4,VS6,VS84
10	35120-Z7E-931	SWITCH ASSY., ENGINE STOP ...	-	1	-----	LH,LH1,PX,QH,QH1,QMH,QN,QX,QXHQ,SH,SH1,SM11,SWX2,SX,SX1,SXC,SXC1,VX VX1,VX1M
11	90004-Z5T-000	SCREW, TAPPING, 3X6(P0) .....	-	2	-----	LH,LH1,PX,QH,QH1,QMH,QN,QX,QXHQ,SH,SH1,SM11,SWX2,SX,SX1,SXC,SXC1,VX VX1,VX1M

# E-14

# CARBURETOR(1)



Ref. No.	L.O.N.	(Relative ref. Number) Description	F.R.T.
1		(28)	
1	3111B1	GASKET SET, CARBURETOR .....	0.3
2		(3,29)	
2	3111E1	FLOAT VALVE SET AND/OR FLOAT SET .....	0.3
4	3111A3	FLOAT CHAMBER SET AND/OR GASKET .....	0.2
5	3111D7	SCREW SET, PILOT .....	0.2
8	8101C5	CHOKE SET, CARBURETOR .....	0.2
9	3111F3	CARBURETOR .....	0.2
13		(23)	
13	3101L6	PACKING, FUEL STRAINER CUP ...	0.2
14		(17)	
14	3111C0	CARBURETOR INSULATOR AND/OR PACKING .....	0.2
15	3111D9	SPACER, CARBURETOR .....	0.2
16	3111C8	PACKING, CARBURETOR .....	0.2
18	8101F9	LEVER, CARBURETOR CHOKE .....	0.2
22		(19,20,21)	
26	3101C5	PACKING, FUEL COCK .....	0.2
26		(11)	
26	3111C3	JET, MAIN .....	0.3

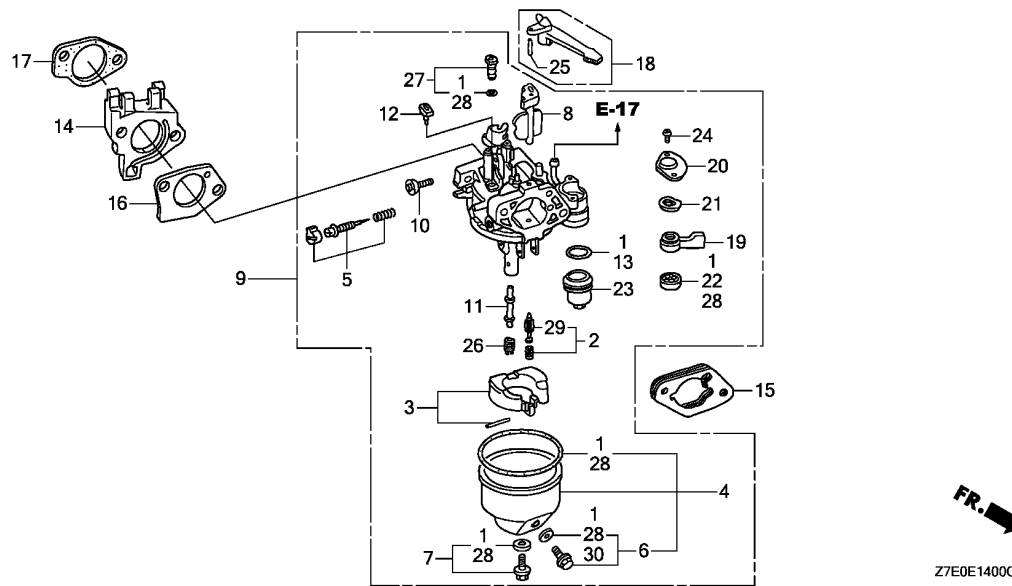
FR. →  
Z7E0E1400C

Ref. No.	Part No.	Description	Reqd. QTY		Serial No.	Parts catalogue code
			GX 390 H1	GX 390 H2		
1	16010-ZE2-812	GASKET SET .....	1	-	-----	LH,LH1,LH2,LHB5,LHP1,LXE9,PX,QA2,QEBR,QH,QH1,QHB3,QHB5,QHBR,QHE,QHP1,QMH,QN,QX,QXBR,QXE,QXEK,QXHQ,QXK,SH,SH1,SHE,SM11,SX,SX1,SXC,SXC1,SXE,SXE1,VSP,VX,VX1,VX1M,VXE,VXEM,VXK,VXU1
	16010-Z7E-971	.....	-	1	-----	LH,LH1,PX,QH,QH1,QHE,QMH,QN,QX,QXE,QXHQ,SH,SH1,SHE,SM11,SWX2,SX,SX1,SXC,SXC1,VTE5,VX,VX1,VX1M,VXE,VXEM
2	16011-ZA0-931	VALVE SET, FLOAT .....	1	-	-----	QBE1,QHB1,QP,SWE2,SWX2,VSP,VTE5
		(CARBURETOR NO.)	1	-	-----	BE85T A LH,LH1,LH2,LHB5,LHP1,LXE9,PX,QA2,QH,QH1,QHB3,QHB5,QHP1,QMH,QX,QXE,QXEK,QXHQ,QXK,SH,SH1,SHE,SM11,SX,SX1,SXC,SXC1,SXE,SXE1
		//	1	-	-----	BE85U A QN,VX,VX1,VXE,VXK,VXU1
		//	1	-	-----	BE6AC A ----- QEBR,QHBR,QXBR
3	16013-Z1C-003	FLOAT SET .....	1	-	-----	QBE1,QHB1,QP,SWE2,SWX2,VSP,VTE5
	16013-Z7E-701	.....	1	-	-----	QHE,VX1M,VXEM
	16013-Z1C-003	(CARBURETOR NO.)	1	-	-----	BE85T A LH,LH1,LH2,LHB5,LHP1,LXE9,PX,QA2,QH,QH1,QHB3,QHB5,QHP1,QMH,QX,QXE,QXEK,QXHQ,QXK,SH,SH1,SHE,SM11,SX,SX1,SXC,SXC1,SXE,SXE1
	16013-Z7E-701	(CARBURETOR NO.)	1	-	-----	BE85T B QEBR,QHBR,QXBR
	16013-Z1C-003	(CARBURETOR NO.)	1	-	-----	BE85U A QN,VX,VX1,VXE,VXK,VXU1
	16013-Z7E-701	//	1	-	-----	BE6AC A ----- QEBR,QHBR,QXBR
	16013-Z7E-701	(CARBURETOR NO.)	1	-	-----	BE85T B ----- LH,LH1,LH2,LHB5,LHP1,LXE9,PX,QA2,QH,QH1,QHB3,QHB5,QHP1,QMH,QX,QXE,QXEK,QXHQ,QXK,SH,SH1,SHE,SM11,SX,SX1,SXC,SXC1,SXE,SXE1
		//	1	-	-----	BE88Q A ----- QN,VX,VX1,VXE,VXK,VXU1
		//	-	1	-----	LH,LH1,PX,QH,QH1,QHE,QMH,QN,QX,QXE,QXHQ,SH,SH1,SHE,SM11,SWX2,SX,SX1,SXC,SXC1,VTE5,VX,VX1,VX1M,VXE,VXEM
4	16015-ZE8-005	CHAMBER SET, FLOAT .....	1	-	-----	LH,LH1,LH2,LHB5,LHP1,LXE9,PX,QA2,QBE1,QEBR,QH,QH1,QHB1,QHB3,QHB5,QHBR,QHE,QHP1,QMH,QN,QP,QX,QXBR,QXE,QXEK,QXHQ,QXK,SH,SH1,SHE,SM11,SWE2,SWX2,SX,SX1,SXC,SXC1,SXE,SXE1,VSP,VTE5,VX,VX1,VX1M,VXE,VXEM,VXK,VXU1



# E-14

# CARBURETOR(1)



Ref. No.	Part No.	Description	Reqd. QTY		Serial No.	Parts catalogue code
			GX 390 H1	GX 390 H2		
(4)	16015-Z7E-971	CHAMBER SET, FLOAT .....	-	1	-----	LH,LH1,PX,QH,QH1,QHE,QMH,QN,QX,QXE,QXHQ,SH,SH1,SHE,SM11,SWX2,SX,SX1 SXC,SXC1,VTE5,VX,VX1,VX1M,VXE,VXEM
5	16016-ZH7-W01	SCREW SET, PILOT .....	1	-	-----	LH,LH1,LH2,LHB5,LHP1,LXE9,PX,QA2,QBE1,QH,QH1,QHB1,QHB3,QHB5,QHE,QHP1 QMH,QN,QP,QX,QXE,QXEK,QXHQ,QXK,SH,SH1,SHE,SM11,SWE2,SWX2,SX,SX1,SXC SXC1,SXE,SXE1,VSP,VTE5,VX,VX1,VX1M,VXE,VXEM,VXK,VXU1
	16016-ZF6-005	(CARBURETOR NO.) .....	1	-	BE85T B	QEBR,QHBR,QXBR
	16016-Z1E-V21	(CARBURETOR NO.) .....	1	-	BE6AC A	QEBR,QHBR,QXBR
	16016-Z1E-V21	SCREW SET .....	-	1	-----	LH,LH1,PX,QH,QH1,QHE,QMH,QN,QX,QXE,QXHQ,SH,SH1,SHE,SM11,SWX2,SX,SX1 SXC,SXC1,VTE5,VX,VX1,VX1M,VXE,VXEM
6	16024-ZE1-811	SCREW SET, DRAIN .....	1	-	-----	LH,LH1,LH2,LHB5,LHP1,LXE9,PX,QA2,QBE1,QEBR,QH,QH1,QHB1,QHB3,QHB5,QHBR QHE,QHP1,QMH,QN,QP,QX,QXBR,QXE,QXEK,QXHQ,QXK,SH,SH1,SHE,SM11,SWE2 SWX2,SX,SX1,SXC,SXC1,SXE,SXE1,VSP,VTE5,VX,VX1,VX1M,VXE,VXEM,VXK,VXU1
	16024-Z5T-901	.....	-	1	-----	LH,LH1,PX,QH,QH1,QHE,QMH,QN,QX,QXE,QXHQ,SH,SH1,SHE,SM11,SWX2,SX,SX1 SXC,SXC1,VTE5,VX,VX1,VX1M,VXE,VXEM
7	16028-ZE0-005	SCREW SET .....	1	-	-----	LH,LH1,LH2,LHB5,LHP1,LXE9,PX,QA2,QBE1,QEBR,QH,QH1,QHB1,QHB3,QHB5,QHBR QHE,QHP1,QMH,QN,QP,QX,QXBR,QXE,QXEK,QXHQ,QXK,SH,SH1,SHE,SM11,SWE2 SWX2,SX,SX1,SXC,SXC1,SXE,SXE1,VSP,VTE5,VX,VX1,VX1M,VXE,VXEM,VXK,VXU1
	16028-Z1T-WA1	.....	-	1	-----	LH,LH1,PX,QH,QH1,QHE,QMH,QN,QX,QXE,QXHQ,SH,SH1,SHE,SM11,SWX2,SX,SX1 SXC,SXC1,VTE5,VX,VX1,VX1M,VXE,VXEM
8	16044-ZE3-W20	CHOKE SET .....	1	-	-----	LH,LH1,LH2,LHB5,LHP1,LXE9,PX,QA2,QBE1,QEBR,QH,QH1,QHB1,QHB3,QHB5,QHBR QHE,QHP1,QMH,QN,QP,QX,QXBR,QXE,QXEK,QXHQ,QXK,SH,SH1,SHE,SM11,SWE2 SWX2,SX,SX1,SXC,SXC1,SXE,SXE1,VSP,VTE5,VX,VX1,VX1M,VXE,VXEM,VXK,VXU1
	16044-Z5T-901	.....	-	1	-----	LH,LH1,PX,QH,QH1,QHE,QMH,QN,QX,QXE,QXHQ,SH,SH1,SHE,SM11,SWX2,SX,SX1 SXC,SXC1,VTE5,VX,VX1,VX1M,VXE,VXEM
9	16100-Z7E-801	CARBURETOR ASSY.(BE85T A/B) ..	1	-	-----	LH,LH1,LH2,LHB5,LHP1,LXE9,PX,QA2,QH,QH1,QHB3,QHB5,QHE,QHP1,QMH,QX,QXE QXEK,QXHQ,QXK,SH,SH1,SHE,SM11,SX,SX1,SXC,SXC1,SXE,SXE1
	16100-Z7E-W31	CARBURETOR ASSY.(BE88P A) ...	1	-	-----	QBE1,QHB1,QP,SWE2,SWX2,VTE5

E-14

CARBURETOR(1)

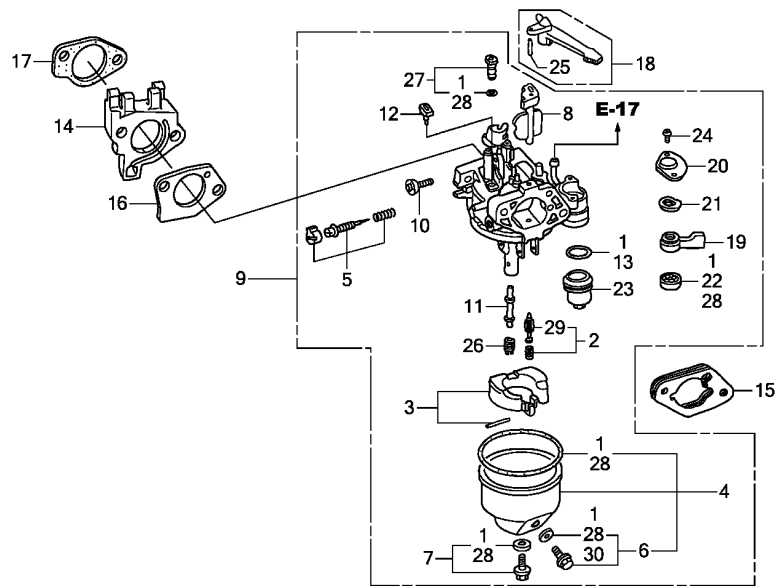
Ref. No.	Part No.	Description	Reqd. QTY		Serial No.	Parts catalogue code
			GX 390 H1	GX 390 H2		
(9)	16100-Z7E-701	CARBURETOR ASSY.(BE88Q A) ...	1	-	-----	VX1M,VXEM
	16100-Z1C-V51	CARBURETOR ASSY.(BE85L A) ...	1	-	-----	0002573 VSP
	16100-Z7E-811	CARBURETOR ASSY.(BE85U A) ...	1	-	-----	0298099 QN,VX,VX1,VXE,VXK,VXU1
	16100-Z7E-801	CARBURETOR ASSY.(BE85T A/B) ...	1	-	-----	0501806 QEBR,QHBR,QXBR
	16100-Z7E-811	CARBURETOR ASSY.(BE85U A) ...	1	-	0002574	----- VSP
	16100-Z7E-701	CARBURETOR ASSY.(BE88Q A) ...	1	-	0298100	----- QN,VX,VX1,VXE,VXK,VXU1
	16100-Z7E-821	CARBURETOR ASSY.(BEA6C A) ...	1	-	0501807	----- QEBR,QHBR,QXBR
	16100-Z7E-931	CARBURETOR ASSY.(BEA6J A) ...	-	1	-----	LH,LH1,PX,QH,QH1,QHE,QMH,QN,QX,QXE,QXHQ,SH,SH1,SHE,SM11,SWX2,SX,SX1 SXC,SXC1,VTE5,VX,VX1,VX1M,VXE,VXEM
10	16124-ZE0-005	SCREW, THROTTLE STOP .....	1	1	-----	LH,LH1,LH2,LHB5,LHP1,LXE9,PX,QA2,QBE1,QEBR,QH,QH1,QHB1,QHB3,QHB5,QHBR QHE,QHP1,QMH,QN,QP,QX,QXBR,QXE,QXEK,QXHQ,QXK,SH,SH1,SHE,SM11,SWE2 SWX2,SX,SX1,SXC,SXC1,SXE,SXE1,VSP,VTE5,VX,VX1,VX1M,VXE,VXEM,VXK,VXU1
11	16166-ZF6-V00	NOZZLE, MAIN .....	1	-	-----	LH,LH1,LH2,LHB5,LHP1,LXE9,PX,QA2,QEBR,QH,QH1,QHB3,QHB5,QHBR,QHE,QHP1 QMH,QN,QX,QXBR,QXE,QXEK,QXHQ,QXK,SH,SH1,SHE,SM11,SX,SX1,SXC,SXC1,SXE SXE1,VSP,VX,VX1,VX1M,VXE,VXEM,VXK,VXU1
	16166-ZF6-W20	.....	1	-	-----	QBE1,QHB1,QP,SWE2,SWX2,VTE5
	16166-Z5T-901	.....	-	1	-----	LH,LH1,PX,QH,QH1,QHE,QMH,QN,QX,QXE,QXHQ,SH,SH1,SHE,SM11,SWX2,SX,SX1 SXC,SXC1,VTE5,VX,VX1,VX1M,VXE,VXEM
12	16172-ZE3-W10	COLLAR, SETTING .....	1	1	-----	LH,LH1,LH2,LHB5,LHP1,LXE9,PX,QA2,QBE1,QEBR,QH,QH1,QHB1,QHB3,QHB5,QHBR QHE,QHP1,QMH,QN,QP,QX,QXBR,QXE,QXEK,QXHQ,QXK,SH,SH1,SHE,SM11,SWE2 SWX2,SX,SX1,SXC,SXC1,SXE,SXE1,VSP,VTE5,VX,VX1,VX1M,VXE,VXEM,VXK,VXU1
13	16173-001-004	O-RING .....	1	1	-----	LH,LH1,LH2,LHB5,LHP1,LXE9,PX,QA2,QBE1,QEBR,QH,QH1,QHB1,QHB3,QHB5,QHBR QHE,QHP1,QMH,QN,QP,QX,QXBR,QXE,QXEK,QXHQ,QXK,SH,SH1,SHE,SM11,SWE2 SWX2,SX,SX1,SXC,SXC1,SXE,SXE1,VSP,VTE5,VX,VX1,VX1M,VXE,VXEM,VXK,VXU1
14	16211-Z7E-000	INSULATOR, CARBURETOR .....	1	-	-----	LH,LH1,LH2,LHB5,LHP1,LXE9,PX,QA2,QBE1,QEBR,QH,QH1,QHB1,QHB3,QHB5,QHBR QHE,QHP1,QMH,QN,QP,QX,QXBR,QXE,QXEK,QXHQ,QXK,SH,SH1,SHE,SM11,SWE2 SWX2,SX,SX1,SXC,SXC1,SXE,SXE1,VTE5,VX,VX1,VX1M,VXE,VXEM,VXK,VXU1
	16211-ZF6-000	.....	1	-	-----	VSP
	16211-Z5T-000	.....	-	1	-----	LH,LH1,PX,QH,QH1,QHE,QMH,QN,QX,QXE,QXHQ,SH,SH1,SHE,SM11,SWX2,SX,SX1 SXC,SXC1,VTE5,VX,VX1,VX1M,VXE,VXEM
15	16220-ZA0-702	SPACER COMP., CARBURETOR ....	1	1	-----	LH,LH1,LH2,LHB5,LHP1,LXE9,PX,QA2,QBE1,QEBR,QH,QH1,QHB1,QHB3,QHB5,QHBR QHE,QHP1,QMH,QN,QP,QX,QXBR,QXE,QXEK,QXHQ,QXK,SH,SH1,SHE,SM11,SWE2 SWX2,SX,SX1,SXC,SXC1,SXE,SXE1,VSP,VTE5,VX,VX1,VX1M,VXE,VXEM,VXK,VXU1
16	16221-Z7E-701	PACKING, CARBURETOR (NINGBO SIL GASKET)	1	1	-----	LH,LH1,LH2,LHB5,LHP1,LXE9,PX,QA2,QBE1,QEBR,QH,QH1,QHB1,QHB3,QHB5,QHBR QHE,QHP1,QMH,QN,QP,QX,QXBR,QXE,QXEK,QXHQ,QXK,SH,SH1,SHE,SM11,SWE2 SWX2,SX,SX1,SXC,SXC1,SXE,SXE1,VSP,VTE5,VX,VX1,VX1M,VXE,VXEM,VXK,VXU1
	16221-ZF6-800	PACKING, CARBURETOR .....	1	-	-----	LH,LH1,LH2,LHB5,LHP1,LXE9,PX,QA2,QBE1,QEBR,QH,QH1,QHB1,QHB3,QHB5,QHBR QHE,QHP1,QMH,QN,QP,QX,QXBR,QXE,QXEK,QXHQ,QXK,SH,SH1,SHE,SM11,SWE2 SWX2,SX,SX1,SXC,SXC1,SXE,SXE1,VSP,VTE5,VX,VX1,VX1M,VXE,VXEM,VXK,VXU1
	16221-Z5T-000	.....	-	1	-----	LH,LH1,PX,QH,QH1,QHE,QMH,QN,QX,QXE,QXHQ,SH,SH1,SHE,SM11,SWX2,SX,SX1 SXC,SXC1,VTE5,VX,VX1,VX1M,VXE,VXEM
17	16212-Z7E-701	PACKING, INSULATOR (NINGBO SIL GASKET)	1	-	-----	LH,LH1,LH2,LHB5,LHP1,LXE9,PX,QA2,QBE1,QEBR,QH,QH1,QHB1,QHB3,QHB5,QHBR QHE,QHP1,QMH,QN,QP,QX,QXBR,QXE,QXEK,QXHQ,QXK,SH,SH1,SHE,SM11,SWE2 SWX2,SX,SX1,SXC,SXC1,SXE,SXE1,VSP,VTE5,VX,VX1,VX1M,VXE,VXEM,VXK,VXU1
	16223-ZE3-W00	PACKING, INSULATOR .....	1	-	-----	LH,LH1,LH2,LHB5,LHP1,LXE9,PX,QA2,QBE1,QEBR,QH,QH1,QHB1,QHB3,QHB5,QHBR QHE,QHP1,QMH,QN,QP,QX,QXBR,QXE,QXEK,QXHQ,QXK,SH,SH1,SHE,SM11,SWE2 SWX2,SX,SX1,SXC,SXC1,SXE,SXE1,VSP,VTE5,VX,VX1,VX1M,VXE,VXEM,VXK,VXU1
	16212-Z5T-000	PACKING, CARBURETOR INSULATOR	-	1	-----	LH,LH1,PX,QH,QH1,QHE,QMH,QN,QX,QXE,QXHQ,SH,SH1,SHE,SM11,SWX2,SX,SX1 SXC,SXC1,VTE5,VX,VX1,VX1M,VXE,VXEM
18	16610-Z1T-000	LEVER COMP., CHOKE(STD.) ....	1	1	-----	LH,LH1,LH2,LHB5,LHP1,LXE9,PX,QA2,QBE1,QEBR,QH,QH1,QHB1,QHB3,QHB5,QHBR QHE,QHP1,QMH,QN,QP,QX,QXBR,QXE,QXEK,QXHQ,QXK,SH,SH1,SHE,SM11,SWE2 SWX2,SX,SX1,SXC,SXC1,SXE,SXE1,VSP,VTE5,VX,VX1,VX1M,VXE,VXEM,VXK,VXU1





# E-14

# CARBURETOR(1)



Z7E0E1400C

Ref. No.	Part No.	Description	Reqd. QTY		Serial No.	Parts catalogue code
			GX 390 H1	GX 390 H2		
19	16953-ZE1-812	LEVER, COCK .....	1	-	-----	LH, LH1, LH2, LHB5, LHP1, LXE9, PX, QA2, QBE1, QEBR, QH, QH1, QHB1, QHB3, QHB5, QHBR, QHE, QHP1, QMH, QN, QP, QX, QXBR, QXE, QXEK, QXHQ, QXK, SH, SH1, SHE, SM11, SWE2, SWX2, SX, SX1, SXC, SXC1, SXE, SXE1, VSP, VTE5, VX, VX1, VX1M, VXE, VXEM, VVK, VXU1
	16953-ZDK-003	.....	-	1	-----	LH, LH1, PX, QH, QH1, QHE, QMH, QN, QX, QXE, QXHQ, SH, SH1, SHE, SM11, SWX2, SX, SX1, SXC, SXC1, VTE5, VX, VX1, VX1M, VXE, VXEM
20	16954-ZE1-812	PLATE, LEVER SETTING .....	1	1	-----	LH, LH1, LH2, LHB5, LHP1, LXE9, PX, QA2, QBE1, QEBR, QH, QH1, QHB1, QHB3, QHB5, QHBR, QHE, QHP1, QMH, QN, QP, QX, QXBR, QXE, QXEK, QXHQ, QXK, SH, SH1, SHE, SM11, SWE2, SWX2, SX, SX1, SXC, SXC1, SXE, SXE1, VSP, VTE5, VX, VX1, VX1M, VXE, VXEM, VVK, VXU1
21	16956-ZE1-811	SPRING, COCK LEVER .....	1	1	-----	LH, LH1, LH2, LHB5, LHP1, LXE9, PX, QA2, QBE1, QEBR, QH, QH1, QHB1, QHB3, QHB5, QHBR, QHE, QHP1, QMH, QN, QP, QX, QXBR, QXE, QXEK, QXHQ, QXK, SH, SH1, SHE, SM11, SWE2, SWX2, SX, SX1, SXC, SXC1, SXE, SXE1, VSP, VTE5, VX, VX1, VX1M, VXE, VXEM, VVK, VXU1
22	16957-ZE1-812	PACKING, FUEL COCK .....	1	1	-----	LH, LH1, LH2, LHB5, LHP1, LXE9, PX, QA2, QBE1, QEBR, QH, QH1, QHB1, QHB3, QHB5, QHBR, QHE, QHP1, QMH, QN, QP, QX, QXBR, QXE, QXEK, QXHQ, QXK, SH, SH1, SHE, SM11, SWE2, SWX2, SX, SX1, SXC, SXC1, SXE, SXE1, VSP, VTE5, VX, VX1, VX1M, VXE, VXEM, VVK, VXU1
23	16967-ZE0-811	CUP, FUEL STRAINER .....	1	1	-----	LH, LH1, LH2, LHB5, LHP1, LXE9, PX, QA2, QBE1, QEBR, QH, QH1, QHB1, QHB3, QHB5, QHBR, QHE, QHP1, QMH, QN, QP, QX, QXBR, QXE, QXEK, QXHQ, QXK, SH, SH1, SHE, SM11, SWE2, SWX2, SX, SX1, SXC, SXC1, SXE, SXE1, VSP, VTE5, VX, VX1, VX1M, VXE, VXEM, VVK, VXU1
24	93500-03006-1H	SCREW, PAN, 3X6 .....	2	2	-----	LH, LH1, LH2, LHB5, LHP1, LXE9, PX, QA2, QBE1, QEBR, QH, QH1, QHB1, QHB3, QHB5, QHBR, QHE, QHP1, QMH, QN, QP, QX, QXBR, QXE, QXEK, QXHQ, QXK, SH, SH1, SHE, SM11, SWE2, SWX2, SX, SX1, SXC, SXC1, SXE, SXE1, VSP, VTE5, VX, VX1, VX1M, VXE, VXEM, VVK, VXU1
25	94305-20122	PIN, SPRING, 2X12 .....	1	1	-----	LH, LH1, LH2, LHB5, LHP1, LXE9, PX, QA2, QBE1, QEBR, QH, QH1, QHB1, QHB3, QHB5, QHBR, QHE, QHP1, QMH, QN, QP, QX, QXBR, QXE, QXEK, QXHQ, QXK, SH, SH1, SHE, SM11, SWE2, SWX2, SX, SX1, SXC, SXC1, SXE, SXE1, VSP, VTE5, VX, VX1, VX1M, VXE, VXEM, VVK, VXU1
26	99101-ZH8-0900	JET, MAIN, #90 .....	(1)	-	-----	LH, LH1, LH2, LHB5, LHP1, LXE9, PX, QA2, QEBR, QH, QH1, QHB3, QHB5, QHBR, QHE, QHP1, QMH, QN, QX, QXBR, QXE, QXEK, QXHQ, QXK, SH, SH1, SHE, SM11, SX, SX1, SXC, SXC1, SXE, SXE1, VSP, VX, VX1, VX1M, VXE, VXEM, VVK, VXU1

E-14

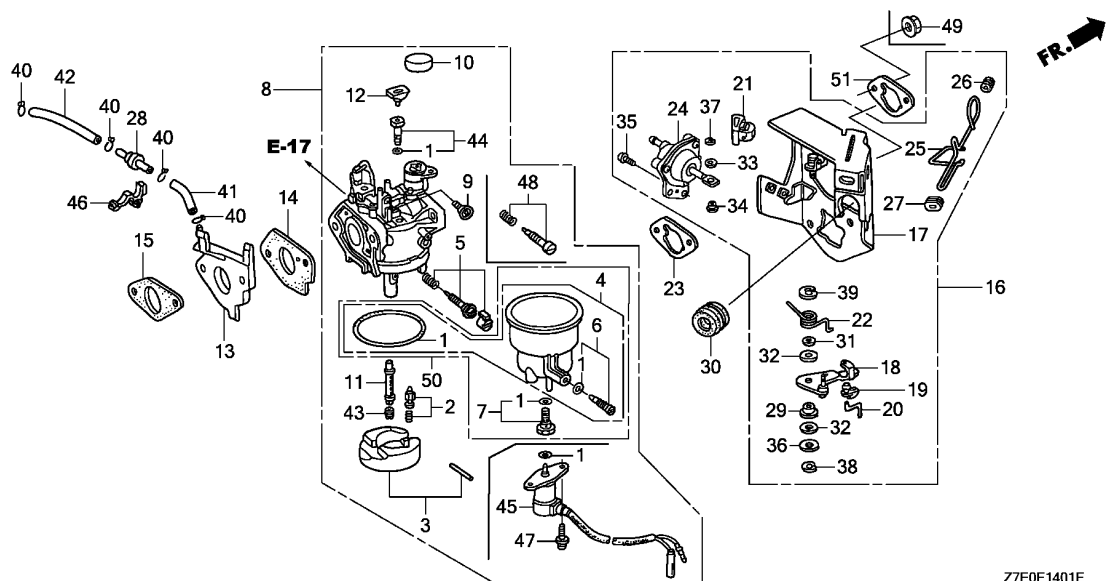
CARBURETOR(1)

Ref. No.	Part No.	Description	Reqd. QTY		Serial No.	Parts catalogue code
			GX 390 H1	GX 390 H2		
26)	99101-ZH8-0880	JET, MAIN, #88	(1)	-		LH,LH1,LH2,LHB5,LHP1,LXE9,PX,QA2,QEBR,QH,QH1,QHB3,QHB5,QHBR,QHE,QHP1,QMH,QX,QXBR,QXE,QXEK,QXHQ,QXK,SH,SH1,SHE,SM11,SX,SX1,SXC,SXC1,SXE,SXE1
	99101-ZH8-0920	JET, MAIN, #92	1	-		LH,LH1,LH2,LHB5,LHP1,LXE9,PX,QA2,QEBR,QH,QH1,QHB3,QHB5,QHBR,QHE,QHP1,QMH,QX,QXBR,QXE,QXEK,QXHQ,QXK,SH,SH1,SHE,SM11,SX,SX1,SXC,SXC1,SXE,SXE1
	99101-ZH8-1000	JET, MAIN, #100	(1)	-		QBE1,QHB1,QP,SWE2,SWX2,VTE5
	99101-ZH8-1020	JET, MAIN, #102	(1)	-		QBE1,QHB1,QP,SWE2,SWX2,VTE5
	99101-ZH8-1050	JET, MAIN, #105	1	-		QBE1,QHB1,QP,SWE2,SWX2,VTE5
	99101-ZH8-0920	JET, MAIN, #92	(1)	-		QN,VSP,VX,VX1,VX1M,VXE,VXEM,VXK,VXU1
	99101-ZH8-0950	JET, MAIN, #95	1	-		QN,VSP,VX,VX1,VX1M,VXE,VXEM,VXK,VXU1
	99101-ZDK-1000	JET, MAIN, #100	-	(1)		LH,LH1,PX,QH,QH1,QHE,QMH,QN,QX,QXE,QXHQ,SH,SH1,SHE,SM11,SWX2,SX,SX1,SXC,SXC1,VTE5,VX,VX1,VX1M,VXE,VXEM
	99101-ZDK-1050	JET, MAIN, #105	-	(1)		LH,LH1,PX,QH,QH1,QHE,QMH,QN,QX,QXE,QXHQ,SH,SH1,SHE,SM11,SWX2,SX,SX1,SXC,SXC1,VTE5,VX,VX1,VX1M,VXE,VXEM
	99101-ZDK-1080	JET, MAIN, #108	-	1		LH,LH1,PX,QH,QH1,QHE,QMH,QN,QX,QXE,QXHQ,SH,SH1,SHE,SM11,SWX2,SX,SX1,SXC,SXC1,VTE5,VX,VX1,VX1M,VXE,VXEM
27	99204-ZA0-0450	JET SET, PILOT, #45	1	-		LH,LH1,LH2,LHB5,LHP1,LXE9,PX,QA2,QEBR,QH,QH1,QHB3,QHB5,QHBR,QHE,QHP1,QMH,QN,QX,QXBR,QXE,QXEK,QXHQ,QXK,SH,SH1,SHE,SM11,SX,SX1,SXC,SXC1,SXE,SXE1,VSP,VX,VX1,VX1M,VXE,VXEM,VXK,VXU1
	99204-ZA0-0400	JET SET, PILOT, #40	1	-		QBE1,QHB1,QP,SWE2,SWX2,VTE5
	99204-ZE0-0380	JET SET, PILOT, #38	-	1		LH,LH1,PX,QH,QH1,QHE,QMH,QN,QX,QXE,QXHQ,SH,SH1,SHE,SM11,SWX2,SX,SX1,SXC,SXC1,VTE5,VX,VX1,VX1M,VXE,VXEM
28	16010-ZE2-015	GASKET SET	1	-		QBE1,QHB1,QP,SWE2,SWX2,VTE5
29	16011-Z7E-701	VALVE SET, FLOAT (CARBURETOR NO.)	1	-		QHE,VX1M,VXEM
	“	“	1	-	BE85T B	QEBR,QHBR,QXBR
	“	“	1	-	BE88Q A	LH,LH1,LH2,LHB5,LHP1,LXE9,PX,QA2,QH,QH1,QHB3,QHB5,QHP1,QMH,QX,QXE,QXEK,QXHQ,QXK,SH,SH1,SHE,SM11,SX,SX1,SXC,SXC1,SXE,SXE1
	“	“	1	-		QN,VX,VX1,VXE,VXK,VXU1
	“	“	-	1		LH,LH1,PX,QH,QH1,QHE,QMH,QN,QX,QXE,QXHQ,SH,SH1,SHE,SM11,SWX2,SX,SX1,SXC,SXC1,VTE5,VX,VX1,VX1M,VXE,VXEM
30	16141-ZOS-003	WASHER, PLAIN(6.2X10.7 DRAIN)	1	-		LH,LH1,LH2,LHB5,LHP1,LXE9,PX,QA2,QBE1,QEBR,QH,QH1,QHB1,QHB3,QHB5,QHBR,QHE,QHP1,QMH,QN,QP,QX,QXBR,QXE,QXEK,QXHQ,QXK,SH,SH1,SHE,SM11,SWE2,SWX2,SX,SX1,SXC,SXC1,SXE,SXE1,VSP,VTE5,VX,VX1,VX1M,VXK,VXU1
			-	1		LH,LH1,PX,QH,QH1,QHE,QMH,QN,QX,QXE,QXHQ,SH,SH1,SHE,SM11,SWX2,SX,SX1,SXC,SXC1,VTE5,VX,VX1,VX1M,VXE,VXEM



# E-14-1

# CARBURETOR(2)



Z7E0E1401E

Ref. No.	L.O.N.	(Relative ref. Number) Description	F.R.T.
1	3111G1	GASKET SET, CARBURETOR(A) (3)	0.4
2	3111G6	FLOAT VALVE SET AND/OR FLOAT SET(A)	0.4
4	3111M2	FLOAT CHAMBER SET AND/OR GASKET(A)	0.4
5	3111D7	SCREW SET, PILOT	0.2
8	3111G7	CARBURETOR(A) (15)	0.3
13	3111G2	CARBURETOR INSULATOR AND/OR PACKING(A)	0.3
14	3111G5	PACKING, CARBURETOR(A)	0.3
16	8101R1	STAY, MANUAL CHOKE (51)	0.3
23	3121D9	PACKING, AIR CLEANER	0.2
	3121D9A	.Replace carburetor side add	0.1
24	3111A7	DIAPHRAGM, CARBURETOR	0.3
25	8101Q2	ROD, CHOKE CONTROL (41,42)	0.2
28	311175	VALVE, DASHPOT CHECK (11)	0.1
43	3111G4	JET, MAIN(A)	0.4
45	6211C0	VALVE, CARBURETOR SOLENOID	0.2

Ref. No.	Part No.	Description	Reqd. QTY		Serial No.	Parts catalogue code
			GX 390 H1	GX 390 H2		
1	16010-ZE3-701	GASKET SET	1	1	EDF6,EDS1,EDS2,EDT1,ES2,ES3S,ES4S,VMQ3,VMT3,VS4,VS6,VS4,VXEB,VXKS	
	16010-ZA0-921	.....	1	1	VPKK,VPX4,VPXB,VPXE,VPXJ,VPXK,VPXX	
2	16011-ZA0-931	VALVE SET, FLOAT	1	1	EDF6,EDS1,EDS2,EDT1,ES2,ES3S,ES4S,VMQ3,VMT3,VPKK,VPX4,VPXB,VPXE,VPXJ,VPXK,VPXX,VS4,VS6,VS4,VXEB,VXKS	
3	16013-ZA0-931	FLOAT SET	1	-	EDF6,EDS1,EDS2,EDT1,ES3S,ES4S	
	16013-Z1C-003	.....	1	-	ES2,VMQ3,VMT3,VPKK,VPX4,VPXB,VPXE,VPXJ,VPXK,VPXX,VS4,VS6,VS4,VXEB,VXKS	
4	16015-ZA0-931	CHAMBER SET, FLOAT	1	-	EDS1,EDS2,EDT1,ES2,VPKK,VPXB,VPXE,VPXK,VPXX,VXEB,VXKS	
	16015-Z7B-D11	.....	-	1	EDF6,EDS1,EDS2,EDT1,ES2,VXEB,VXKS	
5	16016-ZH8-W01	SCREW SET	1	-	EDF6,EDS1,EDS2,EDT1,ES2,ES3S,ES4S,VPKK,VPX4,VPXB,VPXE,VPXJ,VPXK,VPXX,VS4,VS6,VXEB,VXKS	
	16016-Z1E-V21	.....	-	1	EDS1,EDS2,EDT1,ES2,VXEB,VXKS	
	16016-ZH8-W01	.....	-	1	VPKK,VPXB,VPXE,VPXK,VPXX	
6	16024-124-760	SCREW SET, DRAIN	1	-	EDF6,ES2,ES3S,ES4S,VMQ3,VMT3,VPKK,VPX4,VPXB,VPXE,VPXJ,VPXK,VPXX,VS4,VS6,VS4,VXEB,VXKS	
	16024-124-761	.....	1	-	EDS1,EDS2,EDT1	
	16024-124-760	.....	-	1	EDS1,EDS2,EDT1,ES2,VPKK,VPXB,VPXE,VPXK,VPXX,VXEB,VXKS	
7	16028-Z7E-E61	SCREW SET	1	-	EDF6	
	16028-ZA0-931	.....	1	-	EDS1,EDS2,EDT1,ES2,ES3S,ES4S,VMQ3,VMT3,VS4,VS6,VS4,VXEB,VXKS	
	16028-Z7E-E61	.....	-	1	EDS1,EDS2,EDT1,ES2,VXEB,VXKS	
8	16100-ZF6-V42	CARBURETOR ASSY. (BE87G B)	1	-	EDF6	
	16100-ZF6-V41	CARBURETOR ASSY. (BE87G A)	1	-	EDS1,EDS2,EDT1	
	16100-Z7E-D11	CARBURETOR ASSY. (BE89J A)	1	-	ES2,VS4,VS6,VXEB,VXKS	
	16100-ZF6-743	CARBURETOR ASSY. (BE87A C)	1	-	ES3S,ES4S	
	16100-Z7E-D21	CARBURETOR ASSY. (BE89K A)	1	-	VMQ3,VMT3,VS4	
	16100-Z7F-814	CARBURETOR ASSY. (BE89L C)	1	-	VPKK,VPX4,VPXB,VPXE,VPXJ,VPXK,VPXX	
	16100-Z7E-961	CARBURETOR ASSY. (BE96E A)	-	1	EDS1,EDS2,EDT1	

# E-14-1

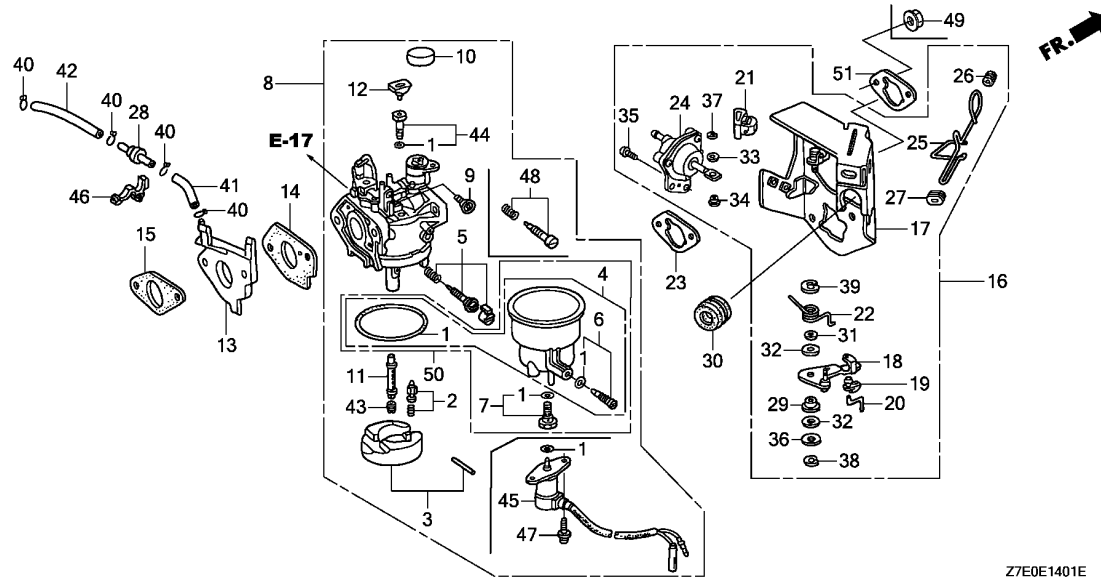
# CARBURETOR(2)

Ref. No.	Part No.	Description	Reqd. QTY		Serial No.	Parts catalogue code
			GX 390 H1	GX 390 H2		
(8)	16100-Z7E-951	CARBURETOR ASSY.(BE96F A) ...	-	1	-----	ES2,VXEK,VXKS
	16100-Z7E-941	CARBURETOR ASSY.(BE96D A) ...	-	1	-----	VPKK,VPXB,VPXE,VPXK,VPXX
9	16124-ZE0-005	SCREW, THROTTLE STOP .....	1	1	-----	EDF6,EDS1,EDS2,EDT1,ES2,ES3S,ES4S,VMQ3,VMT3,VPKK,VPX4,VPXB,VPXE,VPXJ VPXK,VPXX,VS4,VS6,VS4,VS6,VS4,VXEK,VXKS
10	16148-141-881	CAP, CHOKE DUST .....	1	1	-----	EDF6,EDS1,EDS2,EDT1,ES2,ES3S,ES4S,VMQ3,VMT3,VPKK,VPX4,VPXB,VPXE,VPXJ VPXK,VPXX,VS4,VS6,VS4,VXEK,VXKS
11	16166-ZF6-005	NOZZLE, MAIN .....	1	-	-----	EDF6,EDS1,EDS2,EDT1,ES2,ES3S,ES4S,VMQ3,VMT3,VPKK,VPX4,VPXB,VPXE,VPXJ VPXK,VPXX,VS4,VS6,VS4,VXEK,VXKS
	16166-Z7E-951	.....	-	1	-----	EDS1,EDS2,EDT1,ES2,VXEK,VXKS
	16166-Z7E-941	.....	-	1	-----	VPKK,VPXB,VPXE,VPXK,VPXX
12	16172-ZE3-W10	COLLAR, SETTING .....	1	1	-----	EDF6,EDS1,EDS2,EDT1,ES2,ES3S,ES4S,VMQ3,VMT3,VPKK,VPX4,VPXB,VPXE,VPXJ VPXK,VPXX,VS4,VS6,VS4,VXEK,VXKS
13	16211-Z7E-700	INSULATOR, CARBURETOR .....	1	-	-----	EDF6,EDS2,ES2,ES3S,ES4S,VMQ3,VMT3,VPKK,VPXB,VPXE,VPXJ,VPXK,VPXX,VS4 VS6,VS4,VXEK,VXKS
	16211-ZF6-D40	.....	1	-	0002756	EDS1,EDT1
			1	-	0009628	VPX4
	16211-Z7E-700	.....	1	-	0002757	EDS1,EDT1
			1	-	0009629	VPX4
	16211-ZBH-700	.....	-	1	-----	EDS1,EDS2,EDT1,ES2,VPKK,VPXB,VPXE,VPXK,VPXX,VXEK,VXKS
14	16221-Z7E-701	PACKING, CARBURETOR (NINGBO SIL GASKET)	1	1	-----	EDF6,EDS1,EDS2,EDT1,ES2,ES3S,ES4S,VMQ3,VMT3,VPKK,VPX4,VPXB,VPXE,VPXJ VPXK,VPXX,VS4,VS6,VS4,VXEK,VXKS
	16221-ZF6-800	PACKING, CARBURETOR .....	1	-	-----	EDF6,EDS1,EDS2,EDT1,ES2,ES3S,ES4S,VMQ3,VMT3,VPKK,VPX4,VPXB,VPXE,VPXJ VPXK,VPXX,VS4,VS6,VS4,VXEK,VXKS
	16221-Z5T-000	.....	-	1	-----	EDS1,EDS2,EDT1,ES2,VPKK,VPXB,VPXE,VPXK,VPXX,VXEK,VXKS
15	16212-Z7E-701	PACKING, INSULATOR (NINGBO SIL GASKET)	1	-	-----	EDF6,EDS1,EDS2,EDT1,ES2,ES3S,ES4S,VMQ3,VMT3,VPKK,VPX4,VPXB,VPXE,VPXJ VPXK,VPXX,VS4,VS6,VS4,VXEK,VXKS
	16223-ZE3-W00	PACKING, INSULATOR .....	1	-	-----	EDF6,EDS1,EDS2,EDT1,ES2,ES3S,ES4S,VMQ3,VMT3,VPKK,VPX4,VPXB,VPXE,VPXJ VPXK,VPXX,VS4,VS6,VS4,VXEK,VXKS
	16212-Z5T-000	PACKING, CARBURETOR INSULATOR	-	1	-----	EDS1,EDS2,EDT1,ES2,VPKK,VPXB,VPXE,VPXK,VPXX,VXEK,VXKS
16	16260-Z7E-000	STAY ASSY., MANUAL CHOKE ....	1	-	-----	EDF6,EDS2,VPKK,VPXB,VPXE,VPXJ,VPXK,VPXX,VXEK,VXKS
	16260-Z7E-800	.....	1	-	-----	ES2,ES3S,ES4S,VMQ3,VMT3,VS4,VS6,VS4
	16260-ZE3-D22	.....	1	-	-----	VPX4
	16260-ZE2-723	.....	1	-	0000670	EDS1
	16260-ZE3-D22	.....	1	-	0002756	EDT1
	16260-Z7E-800	.....	1	-	0000671	EDS1
	16260-Z7E-000	.....	1	-	0002757	EDT1
	16260-Z7E-800	.....	-	1	-----	EDS1,ES2
	16260-Z7E-000	.....	-	1	-----	EDS2,EDT1,VPKK,VPXB,VPXE,VPXK,VPXX,VXEK,VXKS
17	16261-ZE2-702	STAY COMP., SOLENOID .....	1	1	-----	EDF6,EDS1,EDS2,EDT1,ES2,ES3S,ES4S,VMQ3,VMT3,VPKK,VPX4,VPXB,VPXE,VPXJ VPXK,VPXX,VS4,VS6,VS4,VXEK,VXKS
18	16262-ZE2-711	LEVER, CHOKE .....	1	1	-----	EDF6,EDS1,EDS2,EDT1,ES2,ES3S,ES4S,VMQ3,VMT3,VPKK,VPX4,VPXB,VPXE,VPXJ VPXK,VPXX,VS4,VS6,VS4,VXEK,VXKS
19	16263-Z7B-000	JOINT, ROD .....	1	-	-----	EDF6,EDS2,ES2,ES3S,ES4S,VMQ3,VMT3,VPKK,VPXB,VPXE,VPXJ,VPXK,VPXX,VS4 VS6,VS4,VXEK,VXKS
	16263-ZA0-000	.....	1	-	-----	VPX4
			1	-	0002756	EDS1,EDT1
	16263-Z7B-000	.....	1	-	0002757	EDS1,EDT1
			-	1	-----	EDS1,EDS2,EDT1,ES2,VPKK,VPXB,VPXE,VPXK,VPXX,VXEK,VXKS
20	16264-ZE2-701	ROD, CHOKE .....	1	1	-----	EDF6,EDS1,EDS2,EDT1,ES2,ES3S,ES4S,VMQ3,VMT3,VPKK,VPX4,VPXB,VPXE,VPXJ VPXK,VPXX,VS4,VS6,VS4,VXEK,VXKS
21	16265-Z7E-000	STOPPER, CHOKE ROD .....	1	-	-----	EDF6,EDS2,ES2,ES3S,ES4S,VMQ3,VMT3,VPKK,VPXB,VPXE,VPXJ,VPXK,VPXX,VS4 VS6,VS4,VXEK,VXKS

2

# E-14-1

# CARBURETOR(2)



Z7E0E1401E

Ref. No.	Part No.	Description	Reqd. QTY		Serial No.	Parts catalogue code
			GX 390 H1	GX 390 H2		
21)	16265-ZE2-721	STOPPER, CHOKE ROD	1	-	-----	VPX4
	16265-Z7E-000	.....	1	-	0002756	EDS1,EDT1
		.....	1	-	0002757	EDS1,EDT1
		.....	-	1	-----	EDS1,EDS2,EDT1,ES2,VPKK,VPXB,VPXE,VPXK,VPXX,VXEK,VXKS
22	16268-ZE2-721	SPRING, MANUAL CHOKE	1	1	-----	EDF6,EDS1,EDS2,EDT1,ES2,ES3S,ES4S,VMQ3,VMT3,VPKK,VPX4,VPXB,VPXE,VPXJ
		.....	1	1	-----	VPXK,VPXX,VS4,VS6,VS4,VS6,VS4,VXEK,VXKS
23	17228-Z5T-000	PACKING, AIR CLEANER	1	1	-----	EDF6,EDS1,EDS2,EDT1,ES2,ES3S,ES4S,VMQ3,VMT3,VPKK,VPX4,VPXB,VPXE,VPXJ
		.....	1	1	-----	VPXK,VPXX,VS4,VS6,VS4,VXEK,VXKS
24	16400-ZE2-704	DIAPHRAGM ASSY.	1	1	-----	EDF6,EDS1,EDS2,EDT1,ES2,ES3S,ES4S,VMQ3,VMT3,VPKK,VPX4,VPXB,VPXE,VPXJ
		.....	1	1	-----	VPXK,VPXX,VS4,VS6,VS4,VXEK,VXKS
25	16611-ZE3-D21	ROD, CHOKE CONTROL	1	1	-----	EDF6,EDS2,EDT1,VPKK,VPX4,VPXB,VPXE,VPXJ,VPXK,VPXX,VXEK,VXKS
	16611-ZE2-711	.....	1	1	-----	EDS1,ES2,ES3S,ES4S,VMQ3,VMT3,VS4,VS6,VS4
26	16613-893-000	GROMMET, CHOKE ROD	1	1	-----	EDF6,EDS1,EDS2,EDT1,ES2,ES3S,ES4S,VMQ3,VMT3,VPKK,VPX4,VPXB,VPXE,VPXJ
		.....	1	1	-----	VPXK,VPXX,VS4,VS6,VS4,VXEK,VXKS
27	16615-893-000	GUIDE, CHOKE ROD	1	1	-----	EDF6,EDS1,EDS2,EDT1,ES2,ES3S,ES4S,VMQ3,VMT3,VPKK,VPX4,VPXB,VPXE,VPXJ
		.....	1	1	-----	VPXK,VPXX,VS4,VS6,VS4,VXEK,VXKS
28	36135-ZF6-D41	VALVE, DASHPOT CHECK	1	1	-----	EDF6,EDS1,EDS2,EDT1,ES2,ES3S,ES4S,VMQ3,VMT3,VPKK,VPX4,VPXB,VPXE,VPXJ
		.....	1	1	-----	VPXK,VPXX,VS4,VS6,VS4,VXEK,VXKS
29	53149-964-003	BUSH, ARM PIVOT	1	1	-----	EDF6,EDS1,EDS2,EDT1,ES2,ES3S,ES4S,VMQ3,VMT3,VPKK,VPX4,VPXB,VPXE,VPXJ
		.....	1	1	-----	VPXK,VPXX,VS4,VS6,VS4,VXEK,VXKS
30	88911-MJ3-000	GROMMET, FENDER	1	1	-----	EDF6,EDS1,EDS2,EDT1,ES2,ES3S,ES4S,VMQ3,VMT3,VPKK,VPX4,VPXB,VPXE,VPXJ
		.....	1	1	-----	VPXK,VPXX,VS4,VS6,VS4,VXEK,VXKS
31	90431-ZE2-700	WASHER, CHOKE LEVER	1	1	-----	EDF6,EDS1,EDS2,EDT1,ES2,ES3S,ES4S,VMQ3,VMT3,VPKK,VPX4,VPXB,VPXE,VPXJ
		.....	1	1	-----	VPXK,VPXX,VS4,VS6,VS4,VXEK,VXKS
32	90432-ZE2-700	SEAL, CHOKE LEVER	2	2	-----	EDF6,EDS1,EDS2,EDT1,ES2,ES3S,ES4S,VMQ3,VMT3,VPKK,VPX4,VPXB,VPXE,VPXJ
		.....	2	2	-----	VPXK,VPXX,VS4,VS6,VS4,VXEK,VXKS

# E-14-1

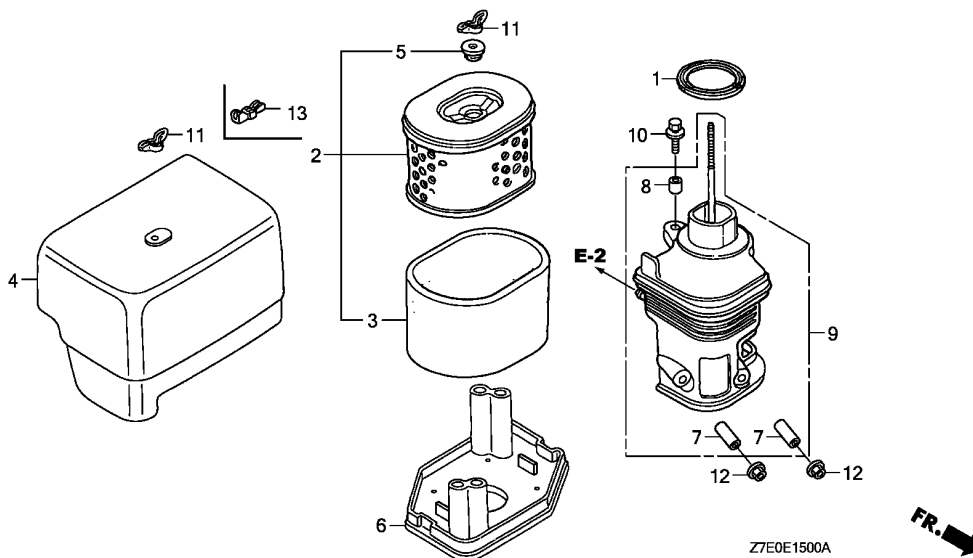
# CARBURETOR(2)

Ref. No.	Part No.	Description	Reqd. QTY		Serial No.	Parts catalogue code
			GX 390 H1	GX 390 H2		
33	90433-ZE2-700	WASHER, THRUST, 2.7X8 .....	1	1	-----	EDF6,EDS1,EDS2,EDT1,ES2,ES3S,ES4S,VMQ3,VMT3,VPKK,VPX4,VPXB,VPXE,VPXJ VPXK,VPXX,VS4,VS6,VS4,VS6,VS4,VS6,VXEK,VXKS
34	90434-ZE2-700	COLLAR, LEVER .....	1	1	-----	EDF6,EDS1,EDS2,EDT1,ES2,ES3S,ES4S,VMQ3,VMT3,VPKK,VPX4,VPXB,VPXE,VPXJ VPXK,VPXX,VS4,VS6,VS4,VS6,VXEK,VXKS
35	93500-05012-0A	SCREW, PAN, 5X12 .....	2	2	-----	EDF6,EDS1,EDS2,EDT1,ES2,ES3S,ES4S,VMQ3,VMT3,VPKK,VPX4,VPXB,VPXE,VPXJ VPXK,VPXX,VS4,VS6,VS4,VS6,VXEK,VXKS
36	94103-05000	WASHER, PLAIN, 5MM .....	1	1	-----	EDF6,EDS1,EDS2,EDT1,ES2,ES3S,ES4S,VMQ3,VMT3,VPKK,VPX4,VPXB,VPXE,VPXJ VPXK,VPXX,VS4,VS6,VS4,VS6,VXEK,VXKS
37	90601-27E-000	E-RING, 2MM .....	1	-	-----	EDF6,EDS2,ES2,ES3S,ES4S,VMQ3,VMT3,VPKK,VPXB,VPXE,VPXJ,VPXK,VPXX,VS4 VS6,VS4,VXEK,VXKS
	94540-02010	.....	1	-	-----	VPX4
	90601-27E-000	.....	1	-	0000670	EDS1,EDT1
		.....	-	1	-----	EDS1,EDT1
38	90602-27E-000	E-RING, 4MM .....	1	-	-----	EDS1,EDS2,EDT1,ES2,VPKK,VPXB,VPXE,VPXK,VPXX,VXEK,VXKS
	94540-04010	.....	1	-	-----	EDF6,EDS2,ES2,ES3S,ES4S,VMQ3,VMT3,VPKK,VPXB,VPXE,VPXJ,VPXK,VPXX,VS4 VS6,VS4,VXEK,VXKS
	90602-27E-000	.....	1	-	0000670	EDS1,EDT1
		.....	-	1	-----	EDS1,EDT1
39	90603-27E-000	E-RING, 7MM .....	1	-	-----	EDS1,EDS2,EDT1,ES2,VPKK,VPXB,VPXE,VPXK,VPXX,VXEK,VXKS
	94540-07010	.....	1	-	-----	EDF6,EDS2,ES2,ES3S,ES4S,VMQ3,VMT3,VPKK,VPXB,VPXE,VPXJ,VPXK,VPXX,VS4 VS6,VS4,VXEK,VXKS
	90603-27E-000	.....	1	-	0000670	EDS1,EDT1
		.....	-	1	-----	EDS1,EDT1
40	95002-02070	CLIP, TUBE(B7) .....	4	4	-----	EDS1,EDS2,EDT1,ES2,VPKK,VPXB,VPXE,VPXK,VPXX,VXEK,VXKS
		.....	-	1	-----	EDF6,EDS1,EDS2,EDT1,ES2,ES3S,ES4S,VMQ3,VMT3,VPKK,VPX4,VPXB,VPXE,VPXJ VPXK,VPXX,VS4,VS6,VS4,VS6,VXEK,VXKS
41	95005-35075-10	TUBE, 3.5X75(95005-35001-10M)	1	1	-----	EDF6,EDS1,EDS2,EDT1,ES2,ES3S,ES4S,VMQ3,VMT3,VPKK,VPX4,VPXB,VPXE,VPXJ VPXK,VPXX,VS4,VS6,VS4,VS6,VXEK,VXKS
42	95005-35130-10	TUBE, 3.5X130(95005-35001-10M)	1	1	-----	EDF6,EDS1,EDS2,EDT1,ES2,ES3S,ES4S,VMQ3,VMT3,VPKK,VPX4,VPXB,VPXE,VPXJ VPXK,VPXX,VS4,VS6,VS4,VS6,VXEK,VXKS
43	99101-ZH8-0980	JET, MAIN, #98 .....	(1)	-	-----	EDF6,EDS1,EDS2,EDT1,ES2,ES3S,ES4S,VMQ3,VMT3,VS4,VS6,VS4,VS6,VXEK,VXKS
	99101-ZH8-1000	JET, MAIN, #100 .....	(1)	-	-----	EDF6,EDS1,EDS2,EDT1,ES2,ES3S,ES4S,VMQ3,VMT3,VS4,VS6,VS4,VS6,VXEK,VXKS
	99101-ZH8-1020	JET, MAIN, #102 .....	(1)	-	-----	EDF6,EDS1,EDS2,EDT1,ES2,ES3S,ES4S,VMQ3,VMT3,VS4,VS6,VS4,VS6,VXEK,VXKS
	99101-ZH8-1050	JET, MAIN, #105 .....	(1)	-	-----	EDF6,EDS1,EDS2,EDT1,VPKK,VPX4,VPXB,VPXE,VPXJ,VPXK,VPXX
	99101-ZH8-1020	JET, MAIN, #102 .....	(1)	-	-----	VPKK,VPX4,VPXB,VPXE,VPXJ,VPXK,VPXX
	99101-ZH8-1080	JET, MAIN, #108 .....	1	-	-----	VPKK,VPX4,VPXB,VPXE,VPXJ,VPXK,VPXX
	99101-ZDK-0920	JET, MAIN, #92 .....	-	(1)	-----	EDS1,EDS2,EDT1,ES2,VXEK,VXKS
	99101-ZDK-0980	JET, MAIN, #98 .....	-	(1)	-----	EDS1,EDS2,EDT1,ES2,VXEK,VXKS
	99101-ZDK-1000	JET, MAIN, #100 .....	-	1	-----	EDS1,EDS2,EDT1,ES2,VXEK,VXKS
	99101-ZDK-1050	JET, MAIN, #105 .....	-	(1)	-----	VPKK,VPXB,VPXE,VPXK,VPXX
	99101-ZDK-1080	JET, MAIN, #108 .....	-	1	-----	VPKK,VPXB,VPXE,VPXK,VPXX
44	99204-ZA0-0450	JET SET, PILOT, #45 .....	1	-	-----	EDF6,EDS1,EDS2,EDT1,ES2,ES3S,ES4S,VMQ3,VMT3,VPKK,VPX4,VPXB,VPXE,VPXJ VPXK,VPXX,VS4,VS6,VS4,VS6,VXEK,VXKS
	99204-ZE0-0450	.....	-	1	-----	EDS1,EDS2,EDT1,ES2,VPKK,VPXB,VPXE,VPXK,VPXX,VXEK,VXKS
45	16230-ZE3-702	VALVE ASSY., SOLENOID .....	1	1	-----	EDF6,EDS1,EDS2,EDT1,ES2,ES3S,ES4S,VMQ3,VMT3,VS4,VS6,VS4,VS6,VXEK,VXKS
46	90650-SD9-003	CLIP, WIRE HARNESS .....	1	1	-----	EDF6,EDS1,EDS2,EDT1,ES2,ES3S,ES4S,VMQ3,VMT3,VS4,VS6,VS4,VS6,VXEK,VXKS
47	93892-05012-18	SCREW-WASHER, 5X12 .....	2	2	-----	EDF6,EDS1,EDS2,EDT1,ES2,ES3S,ES4S,VMQ3,VMT3,VS4,VS6,VS4,VS6,VXEK,VXKS
48	16016-ZF6-D40	SCREW SET .....	1	-	-----	VMQ3,VMT3,VS4
49	94050-06000	NUT, FLANGE, 6MM .....	2	-	-----	ES2,VMQ3,VMT3,VS4,VS6,VS4
50	06160-Z7F-315	BOLT KIT, FUEL CHAMBER .....	1	-	-----	VPKK,VPX4,VPXB,VPXE,VPXJ,VPXX,VXEK,VXKS
	06160-Z7F-305	.....	1	-	-----	VPXK
51	17228-Z5T-000	PACKING, AIR CLEANER .....	1	-	-----	EDF6,EDS1,EDS2,EDT1,ES2,ES3S,ES4S,VMQ3,VMT3,VPKK,VPX4,VPXB,VPXE,VPXJ VPXK,VPXX,VS4,VS6,VS4,VS6,VXEK,VXKS
	16220-ZA0-702	SPACER COMP., CARBURETOR .....	-	1	-----	EDS1,EDS2,EDT1,ES2,VPKK,VPXB,VPXE,VPXK,VPXX,VXEK,VXKS



# E-15

# AIR CLEANER(1)



Ref. No.	L.O.N.	(Relative ref. Number) Description	F.R.T.
1	3121E1	PACKING, ELBOW .....	0.1
2	3121B8	ELEMENT, AIR CLEANER .....	0.1
		.INCLUDES: Air cleaner element -inspection	
3	3121C1	FILTER, OUTER .....	0.1
		.INCLUDES: Outer filter-inspection	
6	3121D6	NOSE, SILENCER .....	0.1
9	3121B4	ELBOW, AIR CLEANER .....	0.1

Ref. No.	Part No.	Description	Reqd. QTY		Serial No.	Parts catalogue code
			GX 390 H1	GX 390 H2		
1	17417-Z7E-003	PACKING, AIR CLEANER ELBOW ..	1	-	-----	LH1, LH2, LHB5, LHP1, LXE9, PX, QEBR, QH1, QHB3, QHB5, QHBR, QHE, QHP1, QMH, QN, QX QXBR, QXE, QXEK, QXK, SH1, SX1, SXC1, SXE1, VTE5, VX1, VX1M, VXE, VXEM, VXX, VXU1
	16271-ZE2-010	PACKING, ELBOW .....	1	-	-----	QA2, QH, QXHQ, SH, SM11, SX, VSP, VX
	17417-Z7E-003	PACKING, AIR CLEANER ELBOW ..	1	-	0146692	LH, SHE, SXC, SXE
2	17210-Z7E-003	ELEMENT COMP., AIR CLEANER ..	1	-	-----	LH1, LH2, LHB5, LHP1, LXE9, PX, QEBR, QH1, QHB3, QHB5, QHBR, QHE, QHP1, QMH, QN, QX QXBR, QXE, QXEK, QXK, SH1, SX1, SXC1, SXE1, VTE5, VX1, VX1M, VXE, VXEM, VXX, VXU1
	17210-ZE3-010	ELEMENT, AIR CLEANER .....	1	-	-----	QA2, QH, QXHQ, SH, SM11, SX, VSP, VX
	17210-Z7E-003	ELEMENT COMP., AIR CLEANER ..	1	-	0146692	LH, SHE, SXC, SXE
	17218-ZE3-000	FILTER, OUTER .....	1	-	-----	LH, QA2, QH, QXHQ, SH, SHE, SM11, SX, SXC, SXE, VSP, VX
4	17231-Z7E-003	COVER, AIR CLEANER .....	1	-	-----	LH1, LH2, LHB5, LHP1, LXE9, PX, QEBR, QH1, QHB3, QHB5, QHBR, QHE, QHP1, QMH, QN, QX QXBR, QXE, QXEK, QXK, SH1, SX1, SXC1, SXE1, VTE5, VX1, VX1M, VXE, VXEM, VXX, VXU1
	17231-ZE3-W01	.....	1	-	-----	QA2, QH, QXHQ, SH, SM11, SX, VSP, VX
	17231-Z7E-003	.....	1	-	0146692	LH, SHE, SXC, SXE
5	17232-Z1V-601	GROMMET, AIR CLEANER .....	1	-	-----	LH1, LH2, LHB5, LHP1, LXE9, PX, QEBR, QH1, QHB3, QHB5, QHBR, QHE, QHP1, QMH, QN, QX QXBR, QXE, QXEK, QXK, SH1, SX1, SXC1, SXE1, VTE5, VX1, VX1M, VXE, VXEM, VXX, VXU1
	17232-891-000	.....	1	-	-----	QA2, QH, QXHQ, SH, SM11, SX, VSP, VX
	17232-Z1V-601	.....	1	-	0146692	LH, SHE, SXC, SXE
6	17235-Z7E-003	NOSE, SILENCER .....	1	-	-----	LH1, LH2, LHB5, LHP1, LXE9, PX, QEBR, QH1, QHB3, QHB5, QHBR, QHE, QHP1, QMH, QN, QX QXBR, QXE, QXEK, QXK, SH1, SX1, SXC1, SXE1, VTE5, VX1, VX1M, VXE, VXEM, VXX, VXU1
	17235-ZH9-N01	.....	1	-	-----	QA2, QH, QXHQ, SH, SM11, SX, VSP, VX
	17235-Z7E-003	.....	1	-	0146692	LH, SHE, SXC, SXE
7	17238-Z7B-003	COLLAR, AIR CLEANER .....	2	-	-----	LH1, LH2, LHB5, LHP1, LXE9, PX, QEBR, QH1, QHB3, QHB5, QHBR, QHE, QHP1, QMH, QN, QX QXBR, QXE, QXEK, QXK, SH1, SX1, SXC1, SXE1, VTE5, VX1, VX1M, VXE, VXEM, VXX, VXU1

E-15

AIR CLEANER(1)

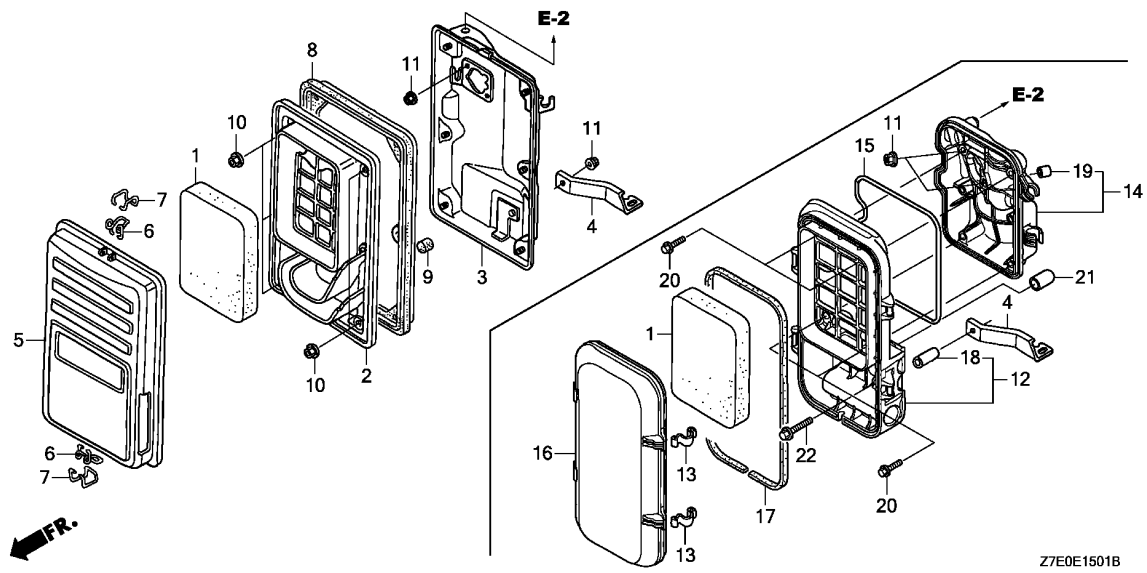
Ref. No.	Part No.	Description	Reqd. QTY		Serial No.	Parts catalogue code
			GX 390 H1	GX 390 H2		
(7)	17238-ZE2-310	COLLAR, AIR CLEANER .....	2	-	-----	QA2,QH,QXHQ,SH,SM11,SX,VSP,VX
	17238-Z7B-003	.....	2	-	0146691	LH,SHE,SXC,SXE
8	17239-Z1T-601	COLLAR B, AIR CLEANER (ZHEJIANG HENGB0)	2	-	0146692	LH,SHE,SXC,SXE
	17239-ZE1-000	COLLAR B, AIR CLEANER .....	1	-	-----	LH1,LH2,LHB5,LHP1,LXE9,PX,QEBR,QH1,QHB3,QHB5,QHBR,QHE,QHP1,QMH,QN,QX,QXBR,QXE,QXEK,QXK,SH1,SX1,SXC1,SXE1,VTE5,VX1,VX1M,VXE,VXEM,VXK,VXU1
	17239-Z1T-601	COLLAR B, AIR CLEANER (ZHEJIANG HENGB0)	1	-	0146691	QA2,QH,QXHQ,SH,SM11,SX,VSP,VX
	17239-Z1T-601	COLLAR B, AIR CLEANER (ZHEJIANG HENGB0)	1	-	0146692	LH,SHE,SXC,SXE
9	17410-ZH9-N01	ELBOW COMP., AIR CLEANER .....	1	-	-----	QA2
	17410-Z7E-013	.....	1	-	-----	QHE,VX1M,VXEM
	17410-ZH9-N00	.....	1	-	0146691	LH,SHE,SXC,SXE
	17410-Z7E-003	.....	1	-	0325786	QH,QXHQ,SH,SM11,SX,VSP,VX
	17410-Z7E-003	.....	1	-	0351329	LH1,LH2,LHB5,LHP1,LXE9,PX,QEBR,QH1,QHB3,QHB5,QHBR,QHP1,QMH,QN,QX,QXBR,QXE,QXEK,QXK,SH1,SX1,SXC1,SXE1,VTE5,VX1,VXE,VXK,VXU1
	17410-ZH9-N01	.....	1	-	0146692	0351329 LH,SHE,SXC,SXE
	17410-Z7E-013	.....	1	-	0325787	QH,QXHQ,SH,SM11,SX,VSP,VX
	17410-Z7E-013	.....	1	-	0351330	LH,LH1,LH2,LHB5,LHP1,LXE9,PX,QEBR,QH1,QHB3,QHB5,QHBR,QHP1,QMH,QN,QX,QXBR,QXE,QXEK,QXK,SH1,SHE,SX1,SXC,SXC1,SXE,SXE1,VTE5,VX1,VXE,VXK,VXU1
10	90009-ZE2-003	BOLT-WASHER, 6X22 .....	1	-	-----	LH,QA2,QH,QHE,QXHQ,SH,SHE,SM11,SX,SXC,SXE,VX
	90009-Z1C-000	.....	1	-	-----	LH1,LH2,LHB5,LHP1,LXE9,PX,QEBR,QH1,QHB3,QHB5,QHBR,QHP1,QMH,QN,QX,QXBR,QXE,QXEK,QXK,SH1,SX1,SXC1,SXE1,VTE5,VX1,VX1M,VXE,VXEM,VXK,VXU1
	90009-ZE2-003	.....	1	-	0000517	VSP
	90009-ZE2-003	.....	1	-	0000518	VSP
11	90201-Z1T-601	NUT, TOOL BOX SETTING (ZHEJIANG HENGB0)	2	-	-----	LH1,LH2,LHB5,LHP1,LXE9,PX,QEBR,QH1,QHB3,QHB5,QHBR,QHE,QHP1,QMH,QN,QX,QXBR,QXE,QXEK,QXK,SH1,SX1,SXC1,SXE1,VTE5,VX1,VX1M,VXE,VXEM,VXK,VXU1
	90325-044-000	NUT, TOOL BOX SETTING .....	1	-	-----	QA2
	90325-044-000	.....	2	-	-----	QH,QXHQ,SH,SM11,SX,VSP,VX
	90201-Z1T-601	NUT, TOOL BOX SETTING (ZHEJIANG HENGB0)	2	-	0146691	LH,SHE,SXC,SXE
	90201-Z1T-601	NUT, TOOL BOX SETTING (ZHEJIANG HENGB0)	2	-	0146692	LH,SHE,SXC,SXE
12	94050-06000	NUT, FLANGE, 6MM .....	2	-	-----	LH,LH1,LH2,LHB5,LHP1,LXE9,PX,QA2,QEBR,QH,QH1,QHB3,QHB5,QHBR,QHE,QHP1,QMH,QN,QX,QXBR,QXE,QXEK,QXHQ,QXK,SH,SH1,SHE,SM11,SX,SX1,SXC,SXC1,SXE,SXE1,VSP,VTE5,VX,VX1,VX1M,VXE,VXEM,VXK,VXU1
13	90203-ZA0-800	NUT, WING, 6MM(BLACK) .....	1	-	-----	QA2

2



# E-15-1

# AIR CLEANER(2)



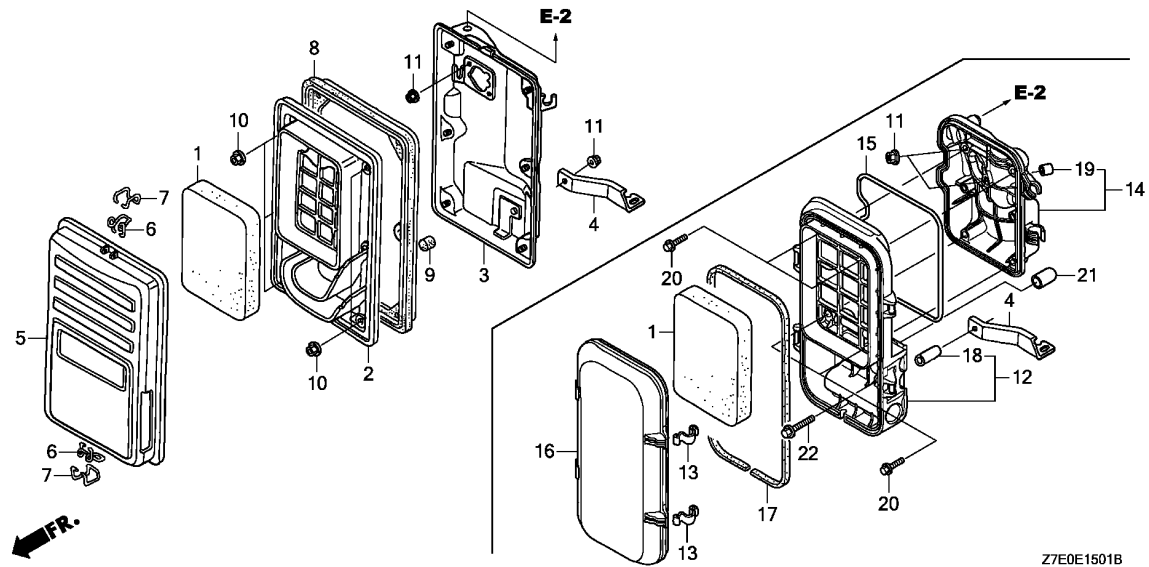
Ref. No.	L.O.N.	(Relative ref. Number) Description	F.R.T.
1	3121B8	ELEMENT, AIR CLEANER ..... .INCLUDES: Air cleaner element -inspection	0.1
2	3121F0	SEPARATOR, AIR CLEANER ..... (12)	0.1
3	3121A5	CASE, AIR CLEANER .....	0.2
8	3121E8	SEAL, AIR CLEANER CASE .....	0.1
14	3121Q0	BASE, AIR CLEANER .....	0.2
15	3121R4	SEAL, AIR CLEANER CASE(A) ....	0.2
17	3121E9	SEAL, AIR CLEANER COVER .....	0.1

Ref. No.	Part No.	Description	Reqd. QTY		Serial No.	Parts catalogue code
			GX 390 H1	GX 390 H2		
1	17211-899-000	ELEMENT, AIR CLEANER .....	1	-	-----	EDF6,EDS1,EDS2,EDT1,ES3S,ES4S,VPKK,VPX4,VPXB,VPXE,VPXJ,VPXK,VPXX,VXEK VXKS
2	17212-ZB4-003	SEPARATOR, AIR CLEANER .....	1	-	-----	EDS1,EDS2,EDT1,ES2,VPKK,VPXB,VPXE,VPXK,VPXX,VXEK,VXKS
3	17220-ZB4-013	CASE COMP., AIR CLEANER .....	1	-	-----	EDF6,EDS2,VPKK,VPXJ,VPXK,VPXX,VXEK,VXKS
	17220-ZB4-003	.....	1	-	0361369	EDS1,EDT1,ES3S,ES4S,VPX4,VPXB,VPXE
	17220-ZB4-013	.....	1	-	0361370	EDS1,EDT1,ES3S,ES4S,VPX4,VPXB,VPXE
4	17222-ZC2-000	STAY, AIR CLEANER .....	1	-	-----	EDF6,EDS1,EDS2,EDT1,ES3S,ES4S,VPKK,VPX4,VPXB,VPXE,VPXJ,VPXK,VPXX,VXEK VXKS
	17222-Z23-H60	.....	-	1	-----	EDS1,EDS2,EDT1,ES2,VPKK,VPXB,VPXE,VPXK,VPXX,VXEK,VXKS
	17222-ZC2-000	.....	-	1	-----	EDS1,EDS2,EDT1,ES2,VPKK,VPXB,VPXE,VPXK,VPXX,VXEK,VXKS
5	17231-899-000	COVER COMP., AIR CLEANER .....	1	-	-----	EDF6,EDS1,EDS2,EDT1,ES3S,ES4S,VPKK,VPX4,VPXB,VPXE,VPXJ,VPXK,VPXX,VXEK VXKS
6	17235-899-000	CLIP A, AIR CLEANER WIRE .....	2	-	-----	EDF6,EDS1,EDS2,EDT1,ES3S,ES4S,VPKK,VPX4,VPXB,VPXE,VPXJ,VPXK,VPXX,VXEK VXKS
7	17236-899-000	CLIP B, AIR CLEANER WIRE .....	2	-	-----	EDF6,EDS1,EDS2,EDT1,ES3S,ES4S,VPKK,VPX4,VPXB,VPXE,VPXJ,VPXK,VPXX,VXEK VXKS
8	17252-899-000	SEAL, AIR CLEANER .....	1	-	-----	EDF6,EDS1,EDS2,EDT1,ES3S,ES4S,VPKK,VPX4,VPXB,VPXE,VPXJ,VPXK,VPXX,VXEK VXKS
9	17367-413-690	FILTER, DRAIN TUBE .....	1	-	-----	EDF6,EDS1,EDS2,EDT1,ES3S,ES4S,VPKK,VPX4,VPXB,VPXE,VPXJ,VPXK,VPXX,VXEK VXKS
10	94050-05000	NUT, FLANGE, 5MM .....	6	-	-----	EDF6,EDS1,EDS2,EDT1,ES3S,ES4S,VPKK,VPX4,VPXB,VPXE,VPXJ,VPXK,VPXX,VXEK VXKS
11	94050-06000	NUT, FLANGE, 6MM .....	3	-	-----	EDF6,EDS1,EDS2,EDT1,ES3S,ES4S,VPKK,VPX4,VPXB,VPXE,VPXJ,VPXK,VPXX,VXEK VXKS
			-	2	-----	EDS1,EDS2,EDT1,ES2,VPKK,VPXB,VPXE,VPXK,VPXX,VXEK,VXKS

2

# E-15-1

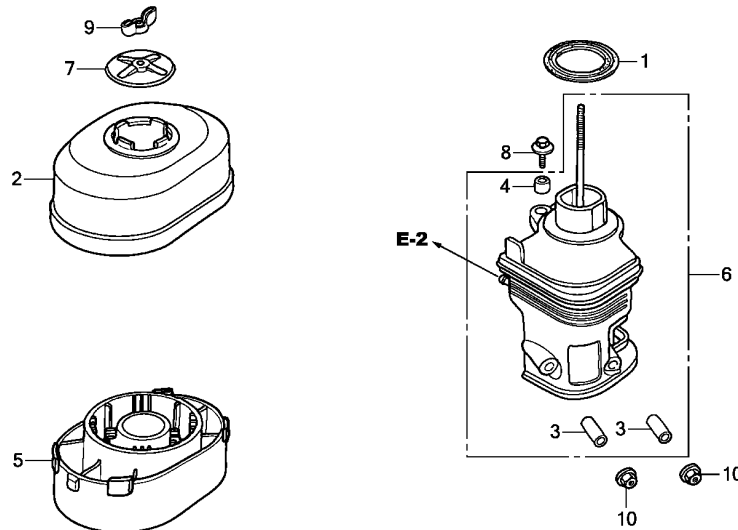
# AIR CLEANER(2)



Ref. No.	Part No.	Description	Reqd. QTY		Serial No.	Parts catalogue code
			GX 390 H1	GX 390 H2		
12	17220-Z23-S30	CASE COMP., AIR CLEANER .....	-	1	-----	EDS1,EDS2,EDT1,ES2,VPKK,VPXB,VPXE,VPXK,VPXX,VXEK,VXKS
13	17223-Z23-000	SPRING, AIR CLEANER CASE LID .....	-	2	-----	EDS1,EDS2,EDT1,ES2,VPKK,VPXB,VPXE,VPXK,VPXX,VXEK,VXKS
14	17223-ZBH-000	BASE COMP., AIR CLEANER .....	-	1	-----	EDS1,EDS2,EDT1,ES2,VPKK,VPXB,VPXE,VPXK,VPXX,VXEK,VXKS
15	17229-Z23-H60	SEAL, AIR CLEANER CASE .....	-	1	-----	EDS1,EDS2,EDT1,ES2,VPKK,VPXB,VPXE,VPXK,VPXX,VXEK,VXKS
16	17231-ZBH-000	COVER, AIR CLEANER .....	-	1	-----	EDS1,EDS2,EDT1,ES2,VPKK,VPXB,VPXE,VPXK,VPXX,VXEK,VXKS
17	17233-Z23-H60	SEAL, AIR CLEANER COVER .....	-	1	-----	EDS1,EDS2,EDT1,ES2,VPKK,VPXB,VPXE,VPXK,VPXX,VXEK,VXKS
18	17238-ZE7-710	COLLAR, AIR CLEANER .....	-	1	-----	EDS1,EDS2,EDT1,ES2,VPKK,VPXB,VPXE,VPXK,VPXX,VXEK,VXKS
19	17238-ZG9-M00	COLLAR, AIR CLEANER .....	-	2	-----	EDS1,EDS2,EDT1,ES2,VPKK,VPXB,VPXE,VPXK,VPXX,VXEK,VXKS
20	90005-ZM3-000	BOLT, FLANGE, 5X18 .....	-	4	-----	EDS1,EDS2,EDT1,ES2,VPKK,VPXB,VPXE,VPXK,VPXX,VXEK,VXKS
21	90802-Z6L-000	CAP, SEALING .....	-	1	-----	EDS1,EDS2,EDT1,ES2,VPKK,VPXB,VPXE,VPXK,VPXX,VXEK,VXKS
22	95701-06032-08	BOLT, FLANGE, 6X32 .....	-	1	-----	EDS1,EDS2,EDT1,ES2,VPKK,VPXB,VPXE,VPXK,VPXX,VXEK,VXKS

# E-15-2

# AIR CLEANER(3)



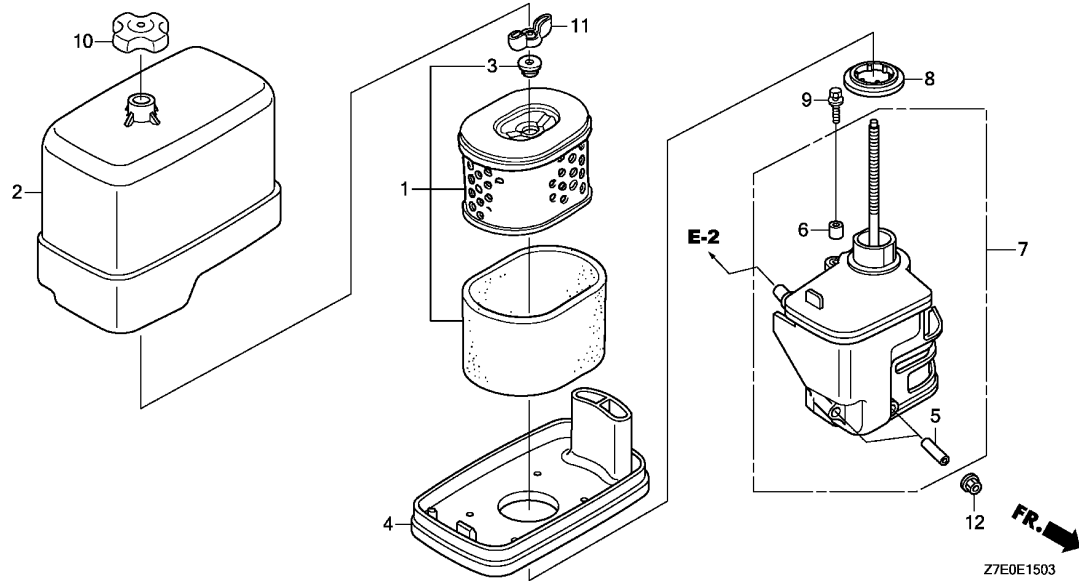
Ref. No.	L.O.N.	(Relative ref. Number) Description	F.R.T.
1	3121E1	PACKING, ELBOW .....	0.1
5	3121E5	PAN, AIR CLEANER OIL .....	0.1
6	3121B4	ELBOW, AIR CLEANER .....	0.1

Ref. No.	Part No.	Description	Reqd. QTY		Serial No.	Parts catalogue code
			GX 390 H1	GX 390 H2		
1	16271-ZE2-010	PACKING, ELBOW .....	1	-	-----	QBE1,QHB1,QP,SWE2,SWX2
2	17230-ZE3-811	COVER COMP., AIR CLEANER (OIL BATH)	1	-	-----	QBE1,QHB1,QP,SWE2,SWX2
3	17238-ZE2-310	COLLAR, AIR CLEANER .....	2	-	-----	QBE1,QHB1,QP,SWE2,SWX2
4	17239-ZE1-000	COLLAR B, AIR CLEANER .....	1	-	-----	QBE1,QHB1,QP,SWE2,SWX2
5	17402-ZE3-810	PAN, CLEANER OIL(OIL BATH) ..	1	-	-----	QBE1,QHB1,QP,SWE2,SWX2
6	17410-ZE3-010	ELBOW COMP., AIR CLEANER .....	1	-	-----	0415003 QBE1,QHB1,QP,SWE2,SWX2
	17410-ZE3-020	.....	1	-	0415004	----- QBE1,QHB1,QP,SWE2,SWX2
7	17420-ZE3-810	CAP COMP., AIR CLEANER .....	1	-	-----	QBE1,QHB1,QP,SWE2,SWX2
8	90009-Z1C-000	BOLT-WASHER, 6X22 .....	1	-	-----	QBE1,QHB1,QP,SWE2,SWX2
9	90325-044-000	NUT, TOOL BOX SETTING .....	1	-	-----	QBE1,QHB1,QP,SWE2,SWX2
10	94050-06000	NUT, FLANGE, 6MM .....	2	-	-----	QBE1,QHB1,QP,SWE2,SWX2

2

# E-15-3

# AIR CLEANER(4)



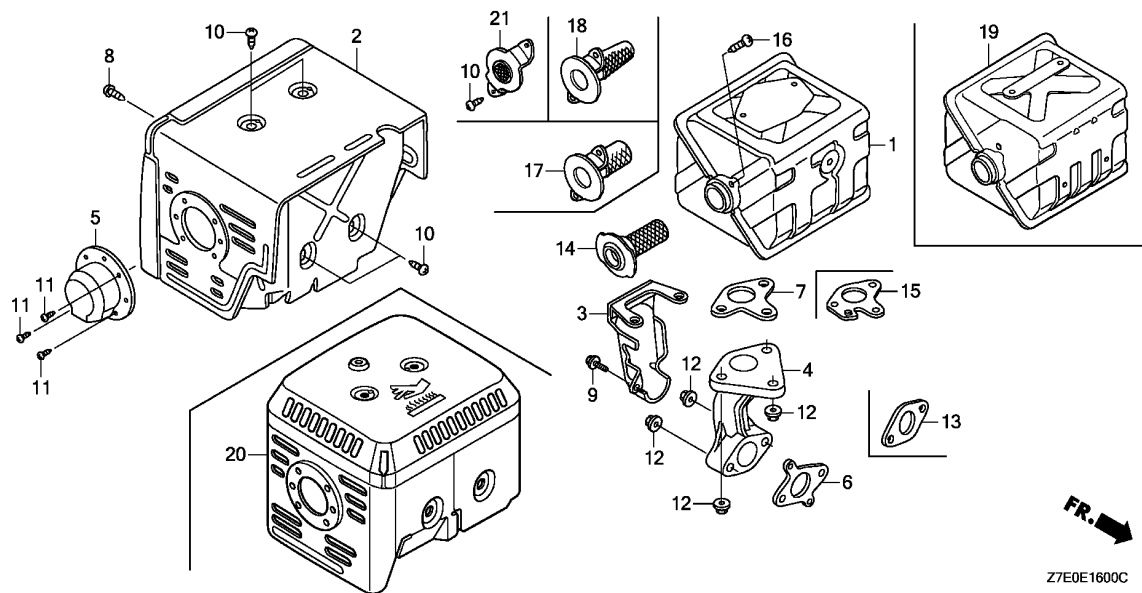
Ref. No.	L.O.N.	(Relative ref. Number) Description	F.R.T.
1	3121B8	ELEMENT, AIR CLEANER ..... .INCLUDES: Air cleaner element -inspection	0.1
4	3121D6	NOSE, SILENCER .....	0.1
7	3121B4	ELBOW, AIR CLEANER .....	0.1
8	3121R3	PACKING, AIR CLEANER CASE ....	0.1

Ref. No.	Part No.	Description	Reqd. QTY		Serial No.	Parts catalogue code
			GX 390 H1	GX 390 H2		
1	17210-Z7E-003	ELEMENT COMP., AIR CLEANER ..	-	1	-----	LH, LH1, PX, QH, QH1, QHE, QMH, QN, QX, QXE, QXHQ, SH, SH1, SHE, SM11, SWX2, SX, SX1 SXC, SXC1, VTE5, VX, VX1, VX1M, VXE, VXEM
2	17231-Z7E-930	COVER, AIR CLEANER .....	-	1	-----	LH, LH1, PX, QH, QH1, QHE, QMH, QN, QX, QXE, QXHQ, SH, SH1, SHE, SM11, SWX2, SX, SX1 SXC, SXC1, VTE5, VX, VX1, VX1M, VXE, VXEM
3	17232-Z1V-601	GROMMET, AIR CLEANER .....	-	1	-----	LH, LH1, PX, QH, QH1, QHE, QMH, QN, QX, QXE, QXHQ, SH, SH1, SHE, SM11, SWX2, SX, SX1 SXC, SXC1, VTE5, VX, VX1, VX1M, VXE, VXEM
4	17235-Z7E-930	NOSE, SILENCER .....	-	1	-----	LH, LH1, PX, QH, QH1, QHE, QMH, QN, QX, QXE, QXHQ, SH, SH1, SHE, SM11, SWX2, SX, SX1 SXC, SXC1, VTE5, VX, VX1, VX1M, VXE, VXEM
5	17238-Z7B-003	COLLAR, AIR CLEANER .....	-	2	-----	LH, LH1, PX, QH, QH1, QHE, QMH, QN, QX, QXE, QXHQ, SH, SH1, SHE, SM11, SWX2, SX, SX1 SXC, SXC1, VTE5, VX, VX1, VX1M, VXE, VXEM
6	17239-Z1T-601	COLLAR B, AIR CLEANER (ZHEJIANG HENGBO)	-	1	-----	LH, LH1, PX, QH, QH1, QHE, QMH, QN, QX, QXE, QXHQ, SH, SH1, SHE, SM11, SWX2, SX, SX1 SXC, SXC1, VTE5, VX, VX1, VX1M, VXE, VXEM
7	17410-Z7E-930	ELBOW COMP., AIR CLEANER ....	-	1	-----	LH, LH1, PX, QH, QH1, QHE, QMH, QN, QX, QXE, QXHQ, SH, SH1, SHE, SM11, SWX2, SX, SX1 SXC, SXC1, VTE5, VX, VX1, VX1M, VXE, VXEM
8	17417-Z5T-000	PACKING, AIR CLEANER CASE ...	-	1	-----	LH, LH1, PX, QH, QH1, QHE, QMH, QN, QX, QXE, QXHQ, SH, SH1, SHE, SM11, SWX2, SX, SX1 SXC, SXC1, VTE5, VX, VX1, VX1M, VXE, VXEM
9	90009-Z1C-000	BOLT-WASHER, 6X22 .....	-	1	-----	LH, LH1, PX, QH, QH1, QHE, QMH, QN, QX, QXE, QXHQ, SH, SH1, SHE, SM11, SWX2, SX, SX1 SXC, SXC1, VTE5, VX, VX1, VX1M, VXE, VXEM
10	90202-Z2E-000	NUT, AIR CLEANER COVER .....	-	1	-----	LH, LH1, PX, QH, QH1, QHE, QMH, QN, QX, QXE, QXHQ, SH, SH1, SHE, SM11, SWX2, SX, SX1 SXC, SXC1, VTE5, VX, VX1, VX1M, VXE, VXEM
11	90325-044-000	NUT, TOOL BOX SETTING .....	-	1	-----	LH, LH1, PX, QH, QH1, QHE, QMH, QN, QX, QXE, QXHQ, SH, SH1, SHE, SM11, SWX2, SX, SX1 SXC, SXC1, VTE5, VX, VX1, VX1M, VXE, VXEM
12	94050-06000	NUT, FLANGE, 6MM .....	-	2	-----	LH, LH1, PX, QH, QH1, QHE, QMH, QN, QX, QXE, QXHQ, SH, SH1, SHE, SM11, SWX2, SX, SX1 SXC, SXC1, VTE5, VX, VX1, VX1M, VXE, VXEM



# E-16

# MUFFLER



Ref. No.	L.O.N.	(Relative ref. Number) Description	F.R.T.
1	3131C5	(19) MUFFLER, EXHAUST .....	0.2
2	3131D6	(20) PROTECTOR, EXHAUST MUFFLER ...	0.2
4	3131C9	PIPE, EXHAUST .....	0.2
6	3131B5	(13) GASKET, EXHAUST PIPE .....	0.2
7	3131B4	(15) GASKET, EXHAUST MUFFLER .....	0.2
14	3131A1	(17,18) ARRESTER, SPARK .....	0.2
		.INCLUDES: Spark arrester check	
21	3131G5	FLANGE, EXHAUST BAFFLE .....	0.2

FR. →  
Z7E0E1600C

Ref. No.	Part No.	Description	Reqd. QTY		Serial No.	Parts catalogue code
			GX 390 H1	GX 390 H2		
1	18310-ZE2-W62	MUFFLER COMP.(100dB) .....	1	-	-----	QA2,QHE,VPXJ,VPXK,VX1M,VXEM
	18310-ZE2-W61	.....	1	-	0325786	LH,LH1,LH2,LHB5,LHP1,LXE9,PX,QBE1,QEBR,QH,QH1,QHB1,QHB3,QHB5,QHBR
						QHP1,QMH,QN,QP,QX,QXBR,QXE,QXEK,QXHQ,QXK,SH,SH1,SHE,SWE2,SWX2,SX,SX1
						SXC,SXC1,SXE,SXE1,VSP,VTE5,VX,VX1,VXE,VXK,VXU1
			1	-	0350668	SM11
			1	-	0374066	VPX4,VPXE
	18310-ZE2-W62	.....	1	-	0325787	LH,LH1,LH2,LHB5,LHP1,LXE9,PX,QBE1,QEBR,QH,QH1,QHB1,QHB3,QHB5,QHBR
						QHP1,QMH,QN,QP,QX,QXBR,QXE,QXEK,QXHQ,QXK,SH,SH1,SHE,SWE2,SWX2,SX,SX1
						SXC,SXC1,SXE,SXE1,VSP,VTE5,VX,VX1,VXE,VXK,VXU1
			1	-	0350669	SM11
			1	-	0374067	VPX4,VPXE
2	18320-ZE2-W62	PROTECTOR COMP., MUFFLER ....	1	-	-----	LH1,LH2,LHB5,LHP1,LXE9,PX,QA2,QBE1,QEBR,QH1,QHB1,QHB3,QHB5,QHBR,QHE
						QHP1,QMH,QN,QP,QX,QXBR,QXE,QXEK,QXHQ,QXK,SH1,SWE2,SWX2,SX1,SXC1,SXE1
						VTE5,VX1,VX1M,VXE,VXEM,VXK,VXU1
	18320-ZE2-W61	.....	1	-	0059856	LH,QA2,QH,SH,SHE,SM11,SX,SXC,SXE,VSP,VX
	18320-ZE2-W62	.....	1	-	0059857	LH,QH,SH,SHE,SM11,SX,SXC,SXE,VSP,VX
3	18323-ZE3-W40	PROTECTOR, EX. PIPE .....	1	-	-----	QA2,SM11
	18323-Z5T-W41	.....	1	-	-----	SM11
4	18330-ZE2-W00	PIPE, EX. ....	1	-	-----	LH,LH1,LH2,LHB5,LHP1,LXE9,PX,QA2,QBE1,QEBR,QH,QH1,QHB1,QHB3,QHB5,QHBR
						QHE,QHP1,QMH,QN,QP,QX,QXBR,QXE,QXEK,QXHQ,QXK,SH,SH1,SHE,SM11,SWE2
						SWX2,SX,SX1,SXC,SXC1,SXE,SXE1,VSP,VTE5,VX,VX1,VX1M,VXE,VXEM,VXK,VXU1
	18331-Z5T-000	.....	-	1	-----	LH,LH1,PX,QH,QH1,QHE,QMH,QN,QX,QXE,QXHQ,SH,SH1,SHE,SM11,SWX2,SX,SX1
						SXC,SXC1,VTE5,VX,VX1,VX1M,VXE,VXEM
5	18331-ZE3-811	CAP, MUFFLER .....	1	1	-----	LHP1,QHP1,QMH,QN,QP,SM11,SWX2
6	18333-ZF6-W01	GASKET, EX. PIPE .....	1	1	-----	LH,LH1,LH2,LHB5,LHP1,LXE9,PX,QA2,QBE1,QEBR,QH,QH1,QHB1,QHB3,QHB5,QHBR
						QHE,QHP1,QMH,QN,QP,QX,QXBR,QXE,QXEK,QXHQ,QXK,SH,SH1,SHE,SM11,SWE2
						SWX2,SX,SX1,SXC,SXC1,SXE,SXE1,VSP,VTE5,VX,VX1,VX1M,VXE,VXEM,VXK,VXU1

E-16

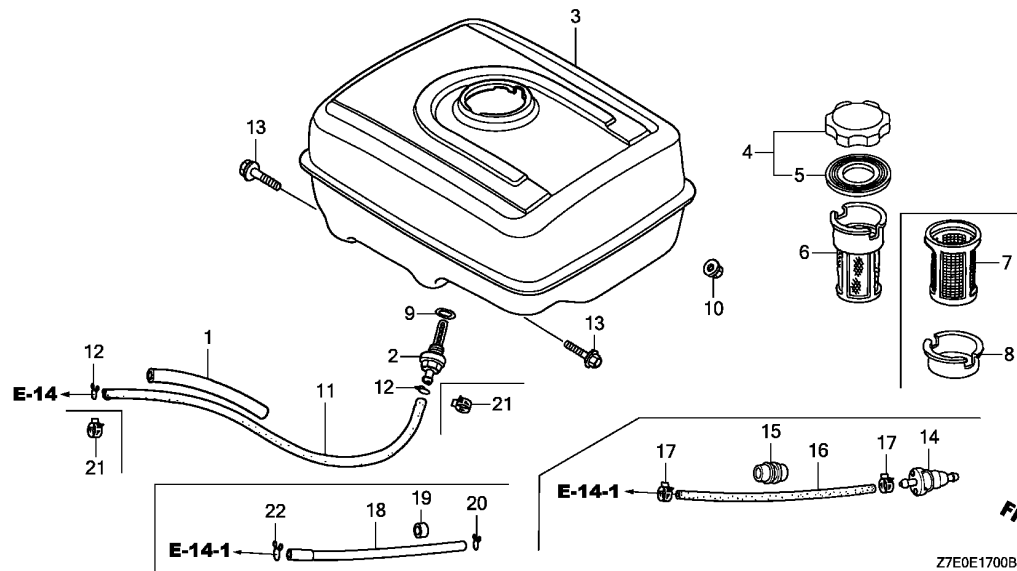
MUFFLER

Ref. No.	Part No.	Description	Reqd. QTY		Serial No.	Parts catalogue code
			GX 390 H1	GX 390 H2		
7	18381-ZE2-801	GASKET, MUFFLER (NIPPON LEAKLESS)	1	1	-----	LH, LH1, LH2, LHB5, LHP1, LXE9, PX, QBE1, QEBR, QH, QH1, QHB1, QHB3, QHB5, QHBR, QHE, QHP1, QMH, QN, QP, QX, QXBR, QXE, QXEK, QXHQ, QXK, SH, SH1, SHE, SM11, SWE2, SWX2, SX, SX1, SXC, SXC1, SXE, SXE1, VSP, VTE5, VX, VX1, VX1M, VXE, VXEM, VVK, VXU1
	18381-Z1C-801	GASKET, MUFFLER (THAI LEAKLESS)	-	1	-----	LH, LH1, PX, QH, QH1, QHE, QMH, QN, QX, QXE, QXHQ, SH, SH1, SHE, SM11, SWX2, SX, SX1, SXC, SXC1, VTE5, VX, VX1, VX1M, VXE, VXEM
8	90006-ZE2-000	SCREW, TAPPING, 6X10 .....	1	1	-----	LH, LH1, LH2, LHB5, LHP1, LXE9, PX, QA2, QBE1, QEBR, QH, QH1, QHB1, QHB3, QHB5, QHBR, QHE, QHP1, QMH, QN, QP, QX, QXBR, QXE, QXEK, QXHQ, QXK, SH, SH1, SHE, SM11, SWE2, SWX2, SX, SX1, SXC, SXC1, SXE, SXE1, VSP, VTE5, VX, VX1, VX1M, VXE, VXEM, VVK, VXU1, QA2, SM11
9	90013-883-000	BOLT, FLANGE, 6X12(CT200) ...	1	1	-----	
10	90050-ZE1-000	SCREW, TAPPING, 5X8 .....	4	6	-----	LH, LH1, LH2, LHB5, LHP1, LXE9, PX, QA2, QBE1, QEBR, QH, QH1, QHB1, QHB3, QHB5, QHBR, QHE, QHP1, QMH, QN, QP, QX, QXBR, QXE, QXEK, QXHQ, QXK, SH, SH1, SHE, SM11, SWE2, SWX2, SX, SX1, SXC, SXC1, SXE, SXE1, VSP, VTE5, VX, VX1, VX1M, VXE, VXEM, VVK, VXU1
11	90055-ZE1-000	SCREW, TAPPING, 4X6 .....	3	3	-----	LHP1, QHP1, QMH, QN, QP, SM11, SWX2
12	94050-08000	NUT, FLANGE, 8MM .....	5	-	-----	LH, LH1, LH2, LHB5, LHP1, LXE9, PX, QA2, QBE1, QEBR, QH, QH1, QHB1, QHB3, QHB5, QHBR, QHE, QHP1, QMH, QN, QP, QX, QXBR, QXE, QXEK, QXHQ, QXK, SH, SH1, SHE, SM11, SWE2, SWX2, SX, SX1, SXC, SXC1, SXE, SXE1, VPX4, VSP, VTE5, VX, VX1, VX1M, VXE, VXEM, VVK, VXU1
			2	-	-----	VPXB
			-	5	-----	LH, LH1, PX, QH, QH1, QHE, QMH, QN, QX, QXE, QXHQ, SH, SH1, SHE, SM11, SWX2, SX, SX1, SXC, SXC1, VTE5, VX, VX1, VX1M, VXE, VXEM
13	18333-ZE3-801	GASKET, EX. PIPE .....	1	-	-----	VPK, VPXE, VPXJ, VPXK, VPXX
	18333-ZE3-800	.....	1	-	-----	VPX4
14	18355-ZE2-W00	ARRESTER, SPARK .....	(1)	-	-----	LXE9, QBE1, QHB1, VPXB, VXKS
			1	-	-----	QA2, VPX4, VPXE, VPXJ, VPXK
15	18381-ZE2-W10	GASKET, MUFFLER (ARRESTER) (NIPPON LEAKLESS)	(1)	-	-----	LXE9, QBE1, QHB1, VPXB, VXKS
	18381-Z8S-801	GASKET, MUFFLER (ARRESTER) (THAI LEAKLESS)	1	-	-----	QA2
	18381-ZE2-W10	GASKET, MUFFLER (ARRESTER) (NIPPON LEAKLESS)	1	-	-----	QA2, VPX4, VPXE, VPXJ, VPXK
16	90055-ZE1-000	SCREW, TAPPING, 4X6 .....	(1)	-	-----	LXE9, QBE1, QHB1, VPXB, VXKS
	90050-ZE1-000	SCREW, TAPPING, 5X8 .....	1	-	-----	QA2, VPX4, VPXE, VPXJ, VPXK
17	18350-Z5T-800	ARRESTER COMP., SPARK .....	(1)	-	-----	VPXB, VXKS
18	18355-ZE3-010	ARRESTER, SPARK .....	(1)	-	-----	VPXB, VXKS
19	18310-Z7E-930	MUFFLER COMP. ....	-	1	-----	LH, LH1, PX, QH, QH1, QHE, QMH, QN, QX, QXE, QXHQ, SH, SH1, SHE, SM11, SWX2, SX, SX1, SXC, SXC1, VTE5, VX, VX1, VX1M, VXE, VXEM
20	18320-Z5T-000	PROTECTOR COMP., MUFFLER ....	-	1	-----	LH, LH1, PX, QH, QH1, QHE, QMH, QN, QX, QXE, QXHQ, SH, SH1, SHE, SM11, SWX2, SX, SX1, SXC, SXC1, VTE5, VX, VX1, VX1M, VXE, VXEM
21	18336-ZE3-000	FLANGE COMP., BAFFLE .....	-	1	-----	LH, LH1, PX, QH, QH1, QHE, QMH, QN, QX, QXE, QXHQ, SH, SH1, SHE, SM11, SWX2, SX, SX1, SXC, SXC1, VTE5, VX, VX1, VX1M, VXE, VXEM



# E-17

# FUEL TANK



Ref. No.	L.O.N.	(Relative ref. Number) Description	F.R.T.
2	(9)		
3101H6		JOINT, FUEL STRAINER .....	0.2
3101H7		TANK, FUEL .....	0.2
4	(5)		
3101M7		CAP, FUEL FILLER .....	0.1
6	(7,8)		
3101A6		FILTER, FUEL .....	0.1
3101F1		TUBE, FUEL TANK .....	0.2
3101H8		STRAINER, FUEL .....	0.2
16	(18)		
3101G0		TUBE, FUEL STRAINER .....	0.2

Ref. No.	Part No.	Description	Reqd. QTY		Serial No.	Parts catalogue code
			GX 390 H1	GX 390 H2		
1	16854-ZH8-000	RUBBER, SUPPORTER(107MM) ....	1	1	-----	LH, LH1, LH2, LHB5, LHP1, LXE9, PX, QA2, QBE1, QEBR, QH, QH1, QHB1, QHB3, QHB5, QHBR, QHE, QHP1, QMH, QN, QP, QX, QXBR, QXE, QXEK, QXHQ, QXK, SH, SH1, SHE, SM11, SWE2, SWX2, SX, SX1, SXC, SXC1, SXE, SXE1, VSP, VX, VX1, VXE, VXK, VXU1
2	16955-Z1T-010	JOINT, FUEL TANK .....	1	1	-----	LH, LH1, LH2, LHB5, LHP1, LXE9, PX, QA2, QBE1, QEBR, QH, QH1, QHB1, QHB3, QHB5, QHBR, QHE, QHP1, QMH, QN, QP, QX, QXBR, QXE, QXEK, QXHQ, QXK, SH, SH1, SHE, SM11, SWE2, SWX2, SX, SX1, SXC, SXC1, SXE, SXE1, VSP, VX, VX1, VXE, VXK, VXU1
3	17510-ZE3-801ZC	TANK COMP., FUEL *NH31*.....MCKINLEY WHITE	1	-	-----	LH, LH1, LH2, LHB5, LHP1, LXE9, PX, QA2, QBE1, QEBR, QH, QH1, QHB1, QHB3, QHB5, QHBR, QHE, QHP1, QMH, QN, QP, QX, QXBR, QXE, QXEK, QXHQ, QXK, SH, SH1, SHE, SM11, SWE2, SWX2, SX, SX1, SXC, SXC1, SXE, SXE1, VX, VX1, VXE, VXK, VXU1
	17510-ZE3-801ZA	*NH1*.....BLACK	1	-	-----	QXHQ, SX
	17510-ZE3-030ZA	*NH31*.....MCKINLEY WHITE	1	-	-----	VSP
	17510-ZE3-030ZB	*NH1*.....BLACK	1	-	-----	VSP
	17510-Z5T-000ZA	*NH1*.....BLACK	-	1	-----	LH, LH1, PX, QH, QH1, QHE, QMH, QN, QX, QXE, QXHQ, SH, SH1, SHE, SM11, SWX2, SX, SX1, SXC, SXC1, VX, VX1, VXE
	17510-Z5T-000ZB	*NH31*.....MCKINLEY WHITE	-	1	-----	LH, LH1, PX, QH, QH1, QHE, QMH, QN, QX, QXE, QXHQ, SH, SH1, SHE, SM11, SWX2, SX, SX1, SXC, SXC1, VX, VX1, VXE
4	17620-Z1T-800	CAP COMP., FUEL FILLER (CHROME PLATED) (TOYOSHA)	1	1	-----	LH, LH1, LH2, LHB5, LHP1, LXE9, PX, QA2, QBE1, QEBR, QH, QH1, QHB1, QHB3, QHB5, QHBR, QHE, QHP1, QMH, QN, QP, QX, QXBR, QXE, QXEK, QXHQ, QXK, SH, SH1, SHE, SM11, SWE2, SWX2, SX, SX1, SXC, SXC1, SXE, SXE1, VSP, VX, VX1, VXE, VXK, VXU1
5	17631-Z1T-800	PACKING, FUEL FILLER CAP (39X62X3) (TOYOSHA)	1	1	-----	LH, LH1, LH2, LHB5, LHP1, LXE9, PX, QA2, QBE1, QEBR, QH, QH1, QHB1, QHB3, QHB5, QHBR, QHE, QHP1, QMH, QN, QP, QX, QXBR, QXE, QXEK, QXHQ, QXK, SH, SH1, SHE, SM11, SWE2, SWX2, SX, SX1, SXC, SXC1, SXE, SXE1, VSP, VX, VX1, VXE, VXK, VXU1
6	17672-Z1T-000	FILTER, FUEL .....	1	1	-----	LHB5, QHB3, QHB5, QN, QP, SM11, SWX2, SXC1
7	17672-880-000	FILTER, FUEL .....	1	1	-----	SXC
8	17673-893-000	HOLDER, FUEL FILTER .....	1	1	-----	SXC

E-17

FUEL TANK

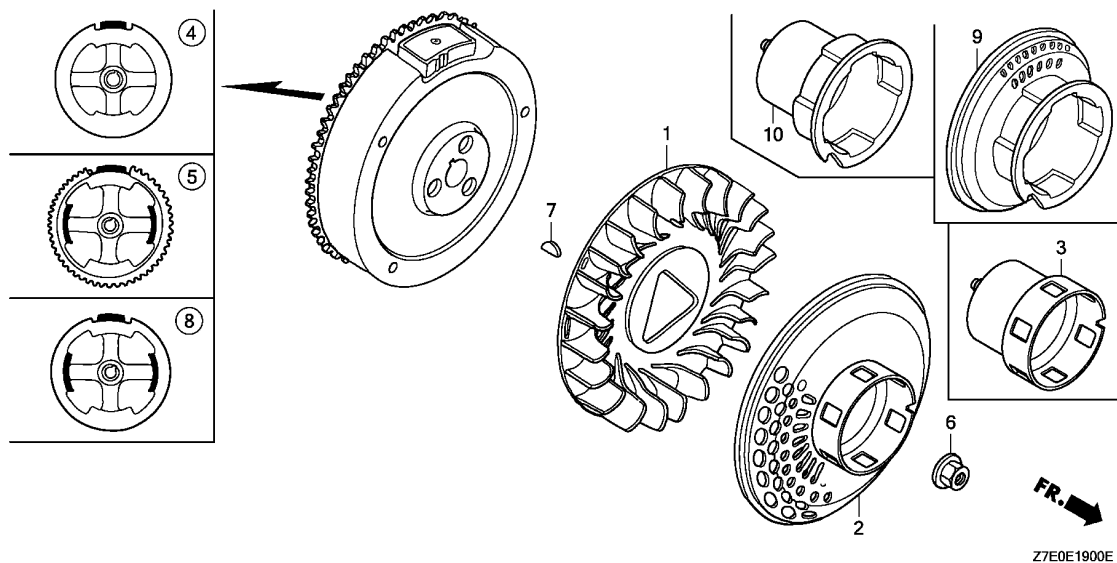
Ref. No.	Part No.	Description	Reqd. QTY		Serial No.	Parts catalogue code
			GX 390 H1	GX 390 H2		
9	91353-Z7E-003 91353-671-004	O-RING, 14MM ..... O-RING, 14MM(NOK) .....	1 1	- -	- -	LH,QH,SH,SHE,SM11,SX,SXC,SXE,VSP,VX LH1,LH2,LHB5,LHP1,LXE9,PX,QA2,QBE1,QEBR,QH1,QHB1,QHB3,QHB5,QHBR,QHE QHP1,QMH,QN,QP,QX,QXBR,QXE,QXEK,QXHQ,QXK,SH1,SWE2,SWX2,SX1,SXC1,SXE1 VX1,VXE,VXK,VXU1
			-	1	-	LH,LH1,PX,QH,QH1,QHE,QMH,QN,QX,QXE,QXHQ,SH,SH1,SHE,SM11,SWX2,SX,SX1 SXC,SXC1,VX,VX1,VXE
10	94050-08000	NUT, FLANGE, 8MM .....	2	2	-	LH,LH1,LH2,LHB5,LHP1,LXE9,PX,QA2,QBE1,QEBR,QH,QH1,QHB1,QHB3,QHB5,QHBR QHE,QHP1,QMH,QN,QP,QX,QXBR,QXE,QXEK,QXHQ,QXK,SH,SH1,SHE,SM11,SWE2 SWX2,SX,SX1,SXC,SXC1,SXE,SXE1,VSP,VX,VX1,VXE,VXK,VXU1
11	95001-45235-40 (95001-45001-60M)	TUBE, FUEL, 4.5X235 .....	1	1	-	LH,LH1,LH2,LHB5,LHP1,LXE9,PX,QA2,QEBR,QH,QH1,QHB3,QHB5,QHBR,QHE,QHP1 QMH,QN,QP,QX,QXBR,QXE,QXEK,QXHQ,QXK,SH,SH1,SHE,SM11,SWE2,SWX2,SX,SX1 SXC,SXC1,SXE,SXE1,VSP,VX,VX1,VXE,VXK,VXU1
	91424-Z5L-802	TUBE, FUEL, 4.5X235(FKM) ....	1	-	-	QBE1,QHB1
12	95002-02080	CLIP, TUBE(B8) .....	2	2	-	LH,LH1,LH2,LHB5,LHP1,LXE9,PX,QA2,QEBR,QH,QH1,QHB3,QHB5,QHBR,QHE,QHP1 QMH,QN,QP,QX,QXBR,QXE,QXEK,QXHQ,QXK,SH,SH1,SHE,SM11,SWE2,SWX2,SX,SX1 SXC,SXC1,SXE,SXE1,VSP,VX,VX1,VXE,VXK,VXU1
13	95701-08025-00	BOLT, FLANGE, 8X25 .....	2	2	-	LH,LH1,LH2,LHB5,LHP1,LXE9,PX,QA2,QBE1,QEBR,QH,QH1,QHB1,QHB3,QHB5,QHBR QHE,QHP1,QMH,QN,QP,QX,QXBR,QXE,QXEK,QXHQ,QXK,SH,SH1,SHE,SM11,SWE2 SWX2,SX,SX1,SXC,SXC1,SXE,SXE1,VSP,VX,VX1,VXE,VXK,VXU1
14	16910-GB2-005	STRAINER COMP., FUEL .....	1	1	-	VPX4,VPXB,VPXE,VPXJ,VPXK
15	90854-ZB3-000	RUBBER, FUEL(9X15X20) .....	1	1	-	VPKK,VPX4,VPXB,VPXE,VPXJ,VPXK,VPXX
16	91424-Z4K-802 91424-Z4K-801 91424-Z4K-803	TUBE, FUEL, 4.5X180(FKM) .... ..... .....	1 1 -	- - 1	- - -	VPKK,VPXB,VPXE,VPXJ,VPXK,VPXX VPX4 VPKK,VPXB,VPXE,VPXK,VPXX
17	95002-40800-08	CLAMP, TUBE(D8) .....	1	1	-	VPKK,VPXX
			2	2	-	VPX4,VPXB,VPXE,VPXJ,VPXK
18	16851-Z7E-800 16851-Z7E-810 95001-45165-40 (95001-45001-60M)	TUBE, FUEL, 4.5X150 .....	1	1	-	ES2,VS4,VS6,VS64
		TUBE, FUEL, 4.5X250 .....	1	1	-	VMQ3,VMT3,VXEK,VXKS
		TUBE, FUEL, 4.5X165 .....	1	-	-	EDF6
19	90854-ZB2-000	RUBBER, FUEL(9X15X10) .....	1	1	-	EDF6,ES2,VMQ3,VMT3,VS4,VS6,VS64,VXEK,VXKS
20	95002-02080	CLIP, TUBE(B8) .....	1	1	-	EDF6,ES2,VMQ3,VMT3,VS4,VS6,VS64,VXEK,VXKS
21	95002-40800-08	CLAMP, TUBE(D8) .....	2	-	-	QBE1,QHB1
22	95002-50000 95002-02080	CLIP, TUBE(C9) .....	1	1	-	ES2,VMQ3,VMT3,VS4,VS6,VS64,VXEK,VXKS
		CLIP, TUBE(B8) .....	1	-	-	EDF6

2



E-19

FLYWHEEL

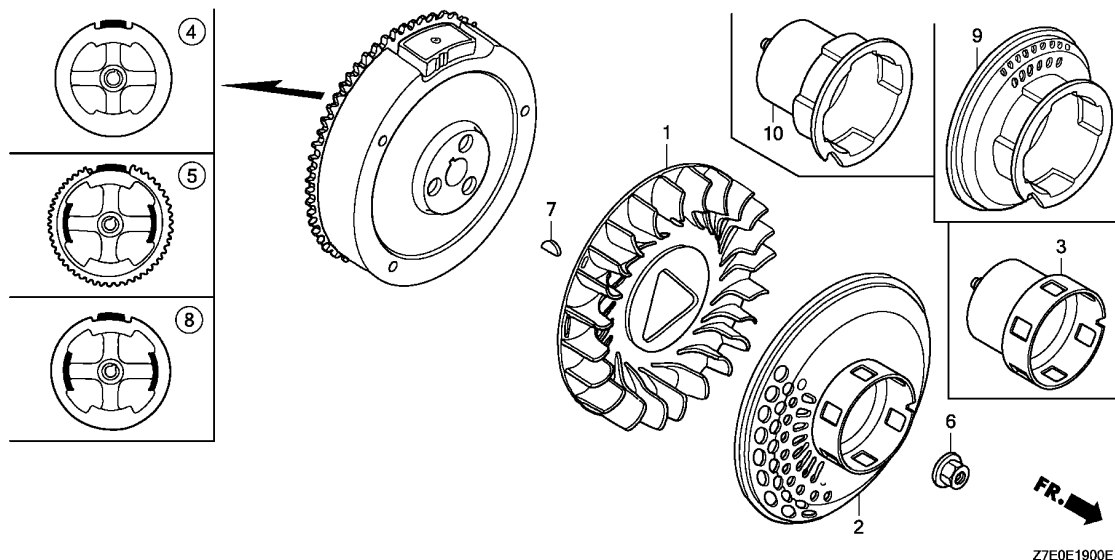


Ref. No.	L.O.N.	(Relative ref. Number) Description	F.R.T.
1	1141G7	FAN, ENGINE COOLING (3,9,10)	0.2
2	1121A9	PULLEY, RECOIL STARTER (5,8)	0.2
4	2161B5	FLYWHEEL	0.3

Ref. No.	Part No.	Description	Reqd. QTY		Serial No.	Parts catalogue code
			GX 390 H1	GX 390 H2		
1	19511-Z7E-000	FAN, COOLING	1	-	-----	EDF6,EDS2,ES2,ES3S,ES4S,LH,LH1,LH2,LHB5,LHP1,LXE9,PX,QA2,QBE1,QEBR,QH,QH1,QHB1,QHB3,QHB5,QHBR,QHE,QHP1,QMH,QN,QP,QX,QXBR,QXE,QXEK,QXHQ,QXK,SH,SH1,SHE,SM11,SWE2,SWX2,SX,SX1,SXC,SXC1,SXE,SXE1,VMQ3,VMT3,VPKK,VPXB,VPXE,VPXJ,VPXK,VPXX,VS4,VS6,VS8,VTE5,VX,VX1,VX1M,VXE,VXEK,VXEM,VXK,VXKS,VXU1
	19511-ZE3-000	-----	1	-	0007967	EDS1,EDT1,VPX4,VSP
	19511-Z7E-000	-----	1	-	0007968	EDS1,EDT1,VPX4,VSP
2	28450-ZE3-W11	PULLEY COMP., STARTER (SCREEN GRID)	1	-	-----	0001866 VSP
	28450-Z7E-000	PULLEY COMP., STARTER	1	-	-----	0281238 LH,LH1,LH2,LHB5,LHP1,LXE9,PX,QBE1,QH,QH1,QHB1,QHB3,QHB5,QHP1,QMH,QP,QX,QXE,QXEK,QXHQ,QXK,SH,SH1,SHE,SWE2,SWX2,SX,SX1,SXC,SXC1,SXE,SXE1,VTE5,VX,VX1,VXE,VXK,VXU1
3	28451-ZE3-W01	PULLEY, STARTER	1	-	0001867	0281238 VSP
			1	-	-----	0001866 VPX4
			1	-	-----	0002756 EDS1,EDT1
	28451-Z7E-000	-----	1	-	-----	0281238 ES2,ES3S,ES4S,QA2,QN,SM11,VMQ3,VMT3,VPXB,VPXE,VS4,VS6,VS8
			1	-	0001867	0281238 VPX4
			1	-	0002757	0281238 EDS1,EDT1
4	31110-Z7E-602	FLYWHEEL COMP.(YUXIN)	1	-	-----	EDT1,ES2,ES3S,LH1,LH2,LHB5,PX,QA2,QH,QH1,QHB1,QHB3,QHB5,QHBR,QHP1,QMH,QN,QX,QXBR,QXHQ,QXK,SH,SH1,SM11,SX,SX1,SXC1,VPX4,VPXB,VS4,VS8,VSP,VX,VX1,VXKS
	31110-Z7E-801	FLYWHEEL COMP.	1	-	-----	ES2,ES3S,LH1,LH2,LHB5,PX,QA2,QH,QH1,QHB1,QHB3,QHB5,QHBR,QHP1,QMH,QN,QX,QXBR,QXHQ,QXK,SH,SH1,SM11,SX,SX1,SXC1,VPXB,VS4,VS8,VX,VX1,VX1M,VXKS
	31100-ZE3-701	-----	1	-	0001866	EDT1,VPX4,VSP
	31110-Z7E-801	-----	1	-	0139755	LH,SXC
			1	-	0001867	EDT1,VPX4,VSP
	31110-Z7E-602	FLYWHEEL COMP.(YUXIN)	1	-	0139756	LH,SXC

E-19

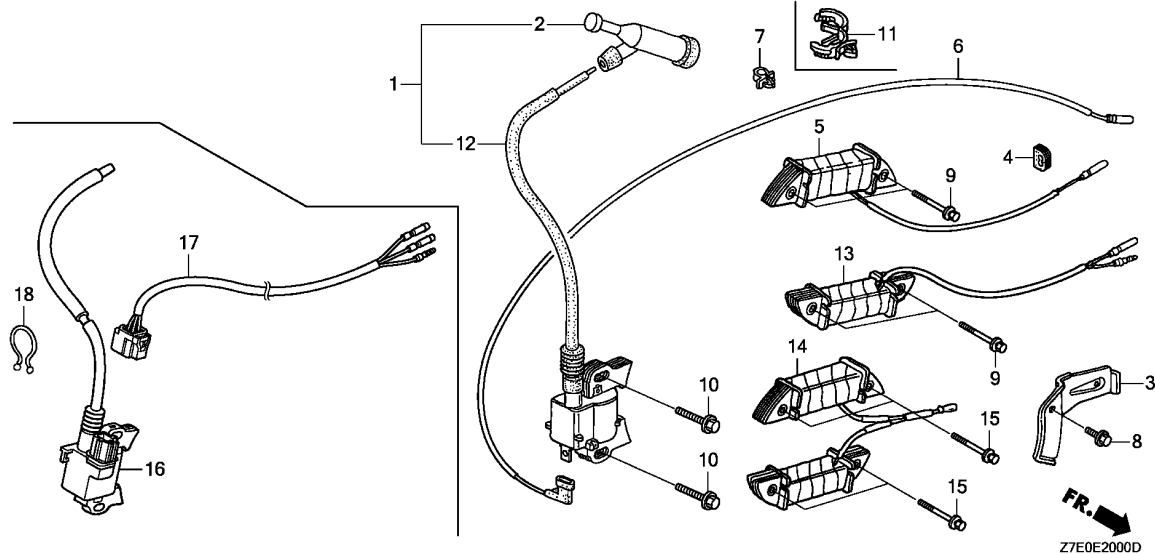
FLYWHEEL



Ref. No.	Part No.	Description	Reqd. QTY		Serial No.	Parts catalogue code
			GX 390 H1	GX 390 H2		
(4)	31110-Z7E-931	FLYWHEEL COMP. ....	-	1	-----	EDT1,ES2,LH,LH1,PX,QH,QH1,QMH,QN,QX,QXH,Q,SH,SH1,SM11,SX,SX1,SXC,SXC1 VPXB,VX,VX1,VX1M,VXKS
5	31110-Z7E-612	FLYWHEEL COMP.(SEL-LAMP) (YUXIN)	1	-	-----	EDF6,EDS1,EDS2,ES4S,LXE9,QBE1,QEBR,QHE,QXE,QXEK,SWE2,SXE1,VMT3,VPKK VPXE,VPXJ,VPXK,VPXX,VS6,VTE5,VXE,VXEK,VXK,VXU1
	31110-Z7E-821	FLYWHEEL COMP.(SEL-LAMP) ....	1	-	-----	EDF6,EDS2,ES4S,LXE9,QBE1,QEBR,QXE,QXEK,SWE2,SXE1,VMT3,VPKK,VPXE,VPXJ VPXK,VPXX,VS6,VTE5,VXE,VXEK,VXEM,VXK,VXU1
	31100-ZE3-722	.....	1	-	0002757	EDS1
	31110-Z7E-821	.....	1	-	0132917	SHE,SXE
	31110-Z7E-612	FLYWHEEL COMP.(SEL-LAMP) (YUXIN)	1	-	0002758	EDS1
	31110-Z7E-951	FLYWHEEL COMP.(SEL-LAMP) ....	-	1	-----	EDS1,EDS2,QHE,QXE,SHE,VPKK,VPXE,VPXK,VPXX,VTE5,VXE,VXEK,VXEM
6	90201-ZE3-V00	NUT, SPECIAL, 16MM .....	1	1	-----	
7	90741-ZE2-000	KEY, SPECIAL WOODRUFF, 25X18	1	1	-----	
8	31110-Z7E-811	FLYWHEEL COMP.(LAMP) .....	1	-	-----	LHP1,QP,SWX2,VMQ3
	31110-Z7E-941	.....	-	1	-----	SWX2
9	28450-Z7E-701	PULLEY COMP., STARTER .....	1	-	-----	QEBR,QHBR,QHE,QXBR
			1	-	0281239	LH,LH1,LH2,LHB5,LHP1,LXE9,PX,QBE1,QH,QH1,QHB1,QHB3,QHB5,QHP1,QMH,QP QX,QXE,QXEK,QXH,Q,QXK,SH,SH1,SHE,SWE2,SWX2,SX,SX1,SXC,SXC1,SXE,SXE1 VSP,VTE5,VX,VX1,VXE,VXK,VXU1
			-	1	-----	LH,LH1,PX,QH,QH1,QHE,QMH,QX,QXE,QXH,Q,SH,SH1,SHE,SWX2,SX,SX1,SXC,SXC1 VTE5,VX,VX1,VXE
10	28451-Z7E-701	PULLEY, STARTER .....	1	-	-----	EDF6,EDS2,VPKK,VPXJ,VPXK,VPXX,VX1M,VXEK,VXEM,VXKS
			1	-	0281239	EDS1,EDT1,ES2,ES3S,ES4S,QA2,QN,SM11,VMQ3,VMT3,VPX4,VPXB,VPXE,VS4,VS6 VSB4
			-	1	-----	EDS1,EDS2,EDT1,ES2,QN,SM11,VPKK,VPXB,VPXE,VPXK,VPXX,VX1M,VXEK,VXEM VXKS

# E-20

# IGNITION COIL



Ref. No.	L.O.N.	(Relative ref. Number) Description	F.R.T.
1		(12,16)	
6141A5		COIL, IGNITION(ONE) .....	0.2
2	6141B8	TERMINAL, HIGH TENSION .....	0.1
5	6131C3	COIL, CHARGE .....	0.4
6	6111B3	CORD, STOP SWITCH .....	0.3
13		(14)	
6141A6		COIL, LAMP .....	0.4
17	6111C0	HARNESS, ENGINE WIRE .....	0.4

Ref. No.	Part No.	Description	Reqd. QTY		Serial No.	Parts catalogue code
			GX 390 H1	GX 390 H2		
1	30500-Z7E-003	COIL ASSY., IGNITION .....	1	-	-----	EDS2,ES2,ES3S,ES4S,LH1,LH2,LHB5,LHP1,LXE9,PX,QA2,QBE1,QEBR,QH,QH1,QHB1,QHB3,QHB5,QHBR,QHE,QHP1,QMH,QN,QP,QX,QXBR,QXE,QXEK,QXHQ,QXK,SH,SH1,SHE,SM11,SWE2,SWX2,SX,SX1,SXC,SXC1,SXE,SXE1,VMQ3,VMT3,VPKK,VPXB,VPXE,VPXJ,VPXK,VPXX,VS4,VS6,VSB4,VSP,VTE5,VX,VX1,VXE,VXEK,VXK,VXKS,VXU1
			1	-	0284342	LH
2	30700-Z1T-601	CAP ASSY., NOISE SUPPRESSOR (TOYO)	1	-	0001592	EDS1,EDT1,VPX4
	30700-Z1T-003	CAP ASSY., NOISE SUPPRESSOR (TEC)	1	-	-----	EDF6,VX1M,VXEM
	30700-Z1T-701	CAP ASSY., NOISE SUPPRESSOR (KOKUSAN)	1	-	-----	EDS2,ES2,ES3S,ES4S,LH1,LH2,LHB5,LHP1,LXE9,PX,QA2,QBE1,QEBR,QH,QH1,QHB1,QHB3,QHB5,QHBR,QHE,QHP1,QMH,QN,QP,QX,QXBR,QXE,QXEK,QXHQ,QXK,SH,SH1,SHE,SM11,SWE2,SWX2,SX,SX1,SXC,SXC1,SXE,SXE1,VMQ3,VMT3,VPKK,VPXB,VPXE,VPXJ,VPXK,VPXX,VS4,VS6,VSB4,VTE5,VX,VX1,VXE,VXEK,VXK,VXKS,VXU1
	(30500-Z7E-701)		1	-	-----	EDS2,QHE,VPKK,VPXX,VXEK,VXKS
	30700-ZE1-013	CAP ASSY., NOISE SUPPRESSOR (NICHIIWA Y-EZ RTFM256)	1	-	0001591	EDS1,EDT1
	30700-Z1T-003	CAP ASSY., NOISE SUPPRESSOR (TEC)	1	-	0002904	VPX4
			1	-	0284342	LH
			1	-	0001592	EDS1,EDT1
			1	-	0002905	VPX4

2

E-20

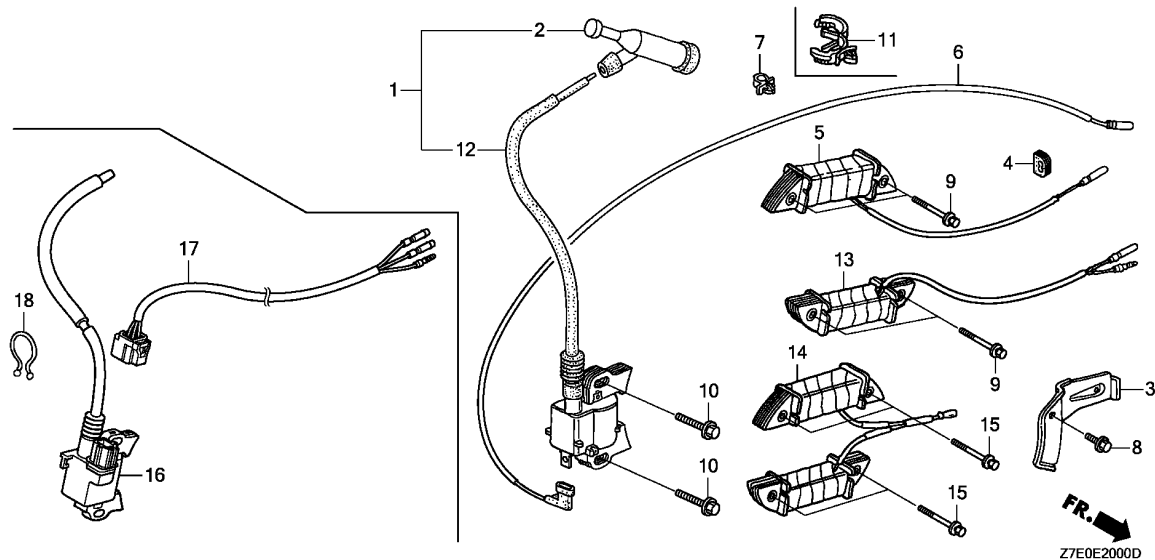
IGNITION COIL

Ref. No.	Part No.	Description	Reqd. QTY		Serial No.	Parts catalogue code
			GX 390 H1	GX 390 H2		
(2)	30700-Z1T-701	CAP ASSY., NOISE SUPPRESSOR (KOKUSAN)	1	-	0284343	----- LH
	(30500-Z7E-701)		1	-	0650383	----- LH1, LH2, LHB5, LHP1, LXE9, PX, QA2, QBE1, QEBR, QH, QH1, QHB1, QHB3, QHB5, QHBR QHP1, QMH, QN, QP, QX, QXBR, QXE, QXEK, QXHQ, QXK, SH, SH1, SHE, SM11, SWE2, SWX2, SX SX1, SXC, SXC1, SXE, SXE1, VMQ3, VMT3, VPX4, VPXB, VPXE, VPXJ, VSP, VTE5, VX, VX1 VXE, VXX, VXU1
		//	1	-	0650519	----- EDS1, EDT1, ES2, ES3S, ES4S, VS4, VS6, VSB4
			-	1		
3	31511-Z7E-000	CLAMPER, CORD	1	-		----- EDF6, EDS2, ES4S, LHP1, LXE9, QBE1, QEBR, QHE, QP, QXE, QXEK, SHE, SWE2, SWX2, SXE SXE1, VMQ3, VMT3, VPKK, VPXE, VPXJ, VPKK, VPXX, VS6, VTE5, VXE, VXEK, VXEM, VXX VXU1
	31511-ZE3-000		1	-		----- EDS1
	31511-Z7E-000		-	1		----- EDS1, EDS2, QHE, QXE, SHE, SWX2, VPKK, VPXE, VPXK, VPXX, VTE5, VXE, VXEK, VXEM
4	31512-ZE2-000	GROMMET, CORD	1	1		
5	31630-ZE1-013	COIL ASSY., CHARGE(1A)	1	1		----- EDF6, EDS1, EDS2, ES4S, LXE9, QBE1, QEBR, QHE, QXE, QXEK, SHE, SWE2, SXE, SXE1 VMT3, VPKK, VPXE, VPXJ, VPKK, VPXX, VS6, VTE5, VXE, VXEK, VXEM, VXX, VXU1
6	36101-ZE3-800	CORD, STOP SWITCH(470MM)	1	-		----- EDF6, EDS1, EDS2, EDT1, ES2, ES3S, ES4S, VS4, VS6, VSB4
	32195-Z7E-711					
	(30500-Z7E-701)		1	-		----- EDS2
	36101-ZE2-701	CORD, STOP SWITCH(430MM)	1	-		----- LH1, LH2, LHB5, LHP1, LXE9, PX, QA2, QBE1, QEBR, QH, QH1, QHB1, QHB3, QHB5, QHBR QHE, QHP1, QMH, QN, QP, QX, QXBR, QXE, QXEK, QXHQ, QXK, SH, SH1, SHE, SM11, SWE2 SWX2, SX, SX1, SXC, SXC1, SXE, SXE1, VMQ3, VMT3, VPKK, VPX4, VPXB, VPXE, VPXJ, VPKK VPXX, VSP, VTE5, VX, VX1, VX1M, VXE, VXEK, VXEM, VXX, VXXS, VXU1
	32195-Z7E-701					
	(30500-Z7E-701)		1	-		----- QHE, VPKK, VPXX, VXEK, VXXS
	36101-ZE2-701		1	-	0284342	----- LH
	32195-Z7E-701		1	-	0284343	----- LH
	36101-ZE2-701		1	-	0650383	----- LH
	32195-Z7E-701					
	(30500-Z7E-701)		1	-	0650383	----- LH1, LH2, LHB5, LHP1, LXE9, PX, QA2, QBE1, QEBR, QH, QH1, QHB1, QHB3, QHB5, QHBR QHP1, QMH, QN, QP, QX, QXBR, QXE, QXEK, QXHQ, QXK, SH, SH1, SHE, SM11, SWE2, SWX2, SX SX1, SXC, SXC1, SXE, SXE1, VMQ3, VMT3, VPX4, VPXB, VPXE, VPXJ, VSP, VTE5, VX, VX1 VXE, VXX, VXU1
	32195-Z7E-711	CORD, STOP SWITCH(470MM)	1	-	0650519	----- EDS1, EDT1, ES2, ES3S, ES4S, VS4, VS6, VSB4
	(30500-Z7E-701)					
7	36103-V42-000	HOLDER, STOP SWITCH CORD	1	-		----- ES2, LH, LH1, QEBR, QH, QH1, QHB1, QHBR, QHE, QHP1, QMH, QN, QXE, SH, SH1, SHE, SM11 SWE2, SXE, VTE5, VXE, VXEM
	36103-ZE1-000		1	-		----- ES3S, LH2, LHB5, LHP1, LXE9, QBE1, QHB3, QHB5, QP, QXEK, SXE1, VMQ3, VMT3, VS4 VSB4, VXX, VXU1
	36103-V42-000		-	1		----- ES2, QHE, QXE, SHE, VTE5, VXE, VXEM
8	90013-883-000	BOLT, FLANGE, 6X12(CT200)	1	1		----- EDF6, EDS1, EDS2, ES4S, LHP1, LXE9, QBE1, QEBR, QHE, QP, QXE, QXEK, SHE, SWE2, SWX2 SXE, SXE1, VMQ3, VMT3, VPKK, VPXE, VPXJ, VPKK, VPXX, VS6, VTE5, VXE, VXEK, VXEM VXX, VXU1
9	90014-ZE6-000	BOLT, FLANGE, 6X35(CT200)	2	2		----- EDF6, EDS1, EDS2, ES4S, LXE9, QBE1, QEBR, QHE, QXE, QXEK, SHE, SWE2, SXE, SXE1 VMT3, VPKK, VPXE, VPXJ, VPKK, VPXX, VS6, VTE5, VXE, VXEK, VXEM, VXX, VXU1
	90012-888-000	BOLT, FLANGE, 6X40(CT200)	2	-		----- LHP1
	90017-883-000	BOLT, FLANGE, 6X32(CT200)	2	-		----- VMQ3, VMT3
10	90015-883-000	BOLT, FLANGE, 6X28(CT200)	2	2		
11	90684-Z7E-000	CLIP, HARNESS	1	-		----- PX, QA2, QX, QXBR, QXHQ, QXK, SWX2, SX, SX1, SXC, SXC1, VPXB, VX, VX1, VX1M, VXXS
	90684-ZA0-601		1	-	0011400	----- EDT1, VPX4, VSP
	90684-Z7E-000		1	-	0011401	----- EDT1, VPX4, VSP
			-	1		----- EDT1, LH, LH1, PX, QH, QH1, QX, QXHQ, SH, SH1, SWX2, SX, SX1, SXC, SXC1, VPXB, VX, VX1 VX1M, VXXS
12	30500-Z7E-601	COIL ASSY., IGNITION	1	-		----- EDF6, VX1M, VXEM
	30500-Z7E-701		1	-		----- EDS2, QHE, VPKK, VPXX, VXEK, VXXS
	30500-ZF6-W03		1	-	0001591	----- EDS1, EDT1, VPX4



# E-20

# IGNITION COIL

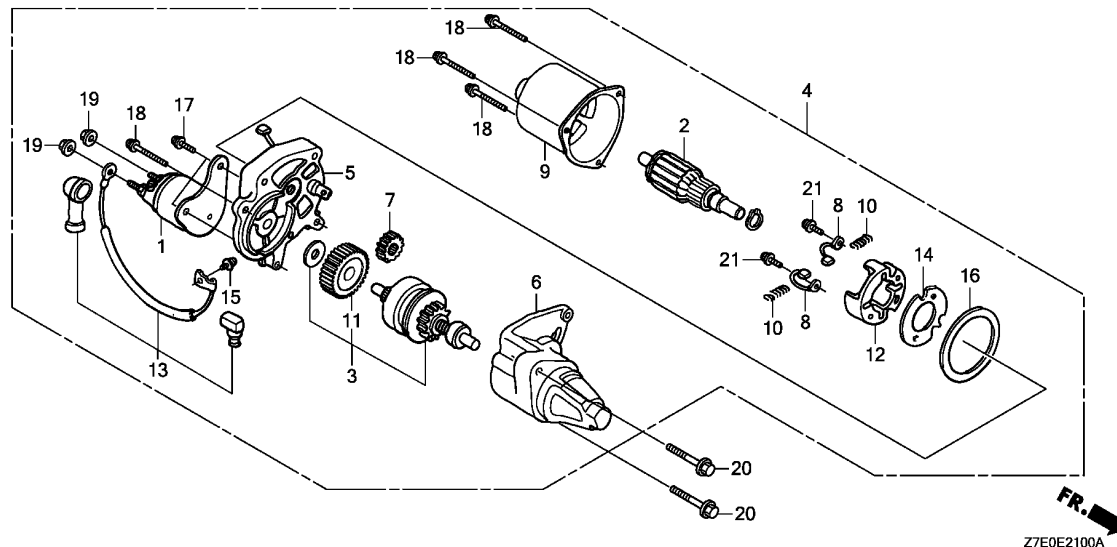


Ref. No.	Part No.	Description	Reqd. QTY		Serial No.	Parts catalogue code
			GX 390 H1	GX 390 H2		
12)	30500-Z7E-701	COIL ASSY., IGNITION .....	1	-	0284343 ----- LH	
			1	-	0650383 ----- LH1, LH2, LHB5, LHP1, LXE9, PX, QA2, QBE1, QEBR, QH, QH1, QHB1, QHB3, QHB5, QHBR, QHP1, QMH, QN, QP, QX, QXBR, QXE, QXEK, QXHQ, QXK, SH, SH1, SHE, SM11, SWE2, SWX2, SX, SX1, SXC, SXC1, SXE, SXE1, VMQ3, VMT3, VPX4, VPXB, VPXE, VPXJ, VSP, VTE5, VX, VX1, VXE, VXX, VXU1	
			1	-	0650519 ----- EDS1, EDT1, ES2, ES3S, ES4S, VS4, VS6, VSB4	
13	31510-ZE1-811	COIL ASSY., LAMP(12V/25W) ...	1	-	----- LHP1	
	31510-ZE1-003	COIL ASSY., LAMP(12V/15W) ...	1	-	----- VMQ3, VMT3	
14	31510-ZE2-811	COIL ASSY., LAMP(12V/50W) ...	1	1	----- QP, SWX2	
15	90012-888-000	BOLT, FLANGE, 6X40(CT200) ...	4	4	----- QP, SWX2	
16	30500-Z7E-931	COIL ASSY., IGNITION .....	-	1		
17	32110-Z5K-810	HARNESS ASSY., ENGINE WIRE				
		(SEL)	-	1	----- EDS1, EDS2, QXE, VPKK, VPXE, VPKK, VPXX, VTE5, VXE, VXEK, VXEM	
	32110-Z5K-000	HARNESS ASSY., ENGINE WIRE ..	-	1	----- EDT1, ES2, PX, QX, QXHQ, SH, SWX2, SX, SX1, SXC, SXC1, VPXB, VX, VX1, VX1M, VXKS	
	32110-Z5K-800	.....	-	1	----- LH, LH1, QH, QH1, QMH, QN, SH1, SM11	
	32110-Z5K-820	HARNESS ASSY., ENGINE WIRE				
		(SEL)	-	1	----- QHE, SHE	
18	90630-751-000	CLIP, PURSE LOCK .....	-	1	----- EDS1, EDS2, QHE, QXE, SHE, VPKK, VPXE, VPKK, VPXX, VTE5, VXE, VXEK, VXEM	

2

# E-21

# STARTER MOTOR(1)



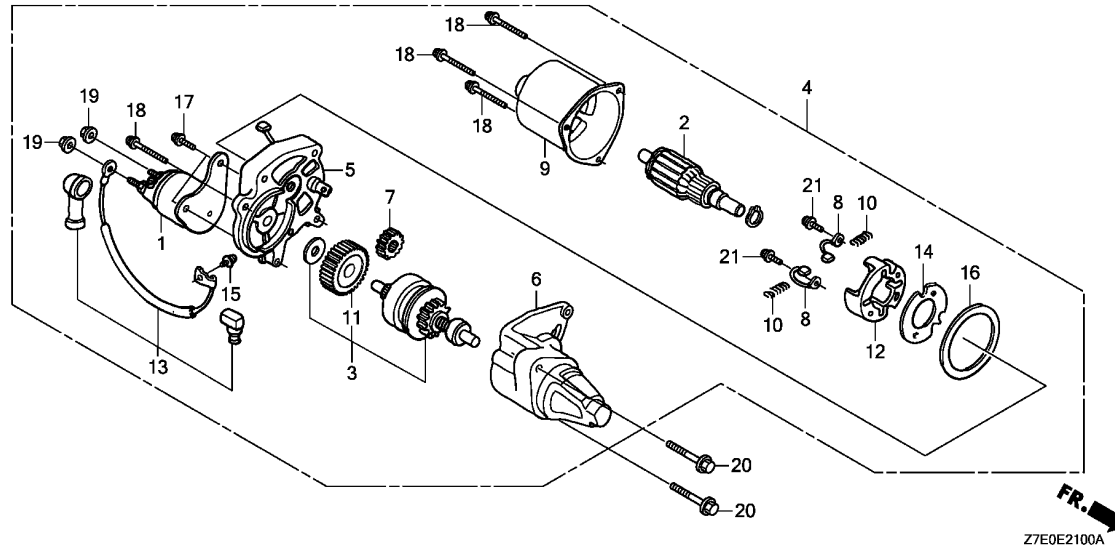
Ref. No.	L.O.N.	(Relative ref. Number) Description	F.R.T.
1	6121E5	CONTACTOR, STARTER .....	0.2
2	6121A0	ARMATURE, STARTER .....	0.4
3	6121B0	CLUTCH, OVERRUNNING .....	0.4
4	6121D5	MOTOR, STARTER .....	0.2
5	6121C3	BRACKET, STARTER :CENTER .....	0.4
6	6121D2	BRACKET, STARTER :FRONT .....	0.3
8	6121A9	BRUSH, STARTER .....	0.4

Ref. No.	Part No.	Description	Reqd. QTY		Serial No.	Parts catalogue code
			GX 390 H1	GX 390 H2		
1	31204-ZA0-003	CONTACTOR ASSY. ....	1	1	-----	ES4S,LXE9,QBE1,QEBR,QXE,QXEK,SWE2,SXE1,VMT3,VS6,VTE5,VXE,VXEM,VXK VXU1
2	31206-ZE3-003	ARMATURE COMP. ....	1	-	0287079	EDS1,SHE,SXE,VPXE
3	31207-ZE3-003	CLUTCH COMP., OVERRUNNING ...	1	-	0287079	ES4S,LXE9,QBE1,QEBR,QXE,QXEK,SWE2,SXE1,VMT3,VS6,VTE5,VXE,VXEM,VXK VXU1
	31208-ZE3-003	.....	1	-	0287079	EDS1,SHE,SXE,VPXE
4	31210-ZE3-023	MOTOR UNIT, STARTER .....	1	-	-----	QXE,VTE5,VXE,VXEM
	31210-ZE3-033	.....	1	-	0287079	ES4S,LXE9,QBE1,QEBR,QXE,QXEK,SWE2,SXE1,VMT3,VS6,VTE5,VXE,VXEM,VXK VXU1
5	31211-ZE2-003	BRACKET, CENTER .....	1	1	-----	ES4S,LXE9,QBE1,QEBR,QXE,QXEK,SWE2,SXE1,VMT3,VS6,VTE5,VXE,VXEM,VXK VXU1
		.....	1	-	0287079	EDS1,SHE,SXE,VPXE
6	31212-ZE3-003	BRACKET, FR. ....	1	1	-----	ES4S,LXE9,QBE1,QEBR,QXE,QXEK,SWE2,SXE1,VMT3,VS6,VTE5,VXE,VXEM,VXK VXU1
7	31213-ZE2-003	GEAR, DRIVE PINION .....	1	-	0287079	EDS1,SHE,SXE,VPXE
		.....	1	1	-----	ES4S,LXE9,QBE1,QEBR,QXE,QXEK,SWE2,SXE1,VMT3,VS6,VTE5,VXE,VXEM,VXK VXU1
8	31215-ZE2-003	BRUSH .....	1	-	0287079	EDS1,SHE,SXE,VPXE
		.....	2	2	-----	ES4S,LXE9,QBE1,QEBR,QXE,QXEK,SWE2,SXE1,VMT3,VS6,VTE5,VXE,VXEM,VXK VXU1
		.....	2	-	0287079	EDS1,SHE,SXE,VPXE



# E-21

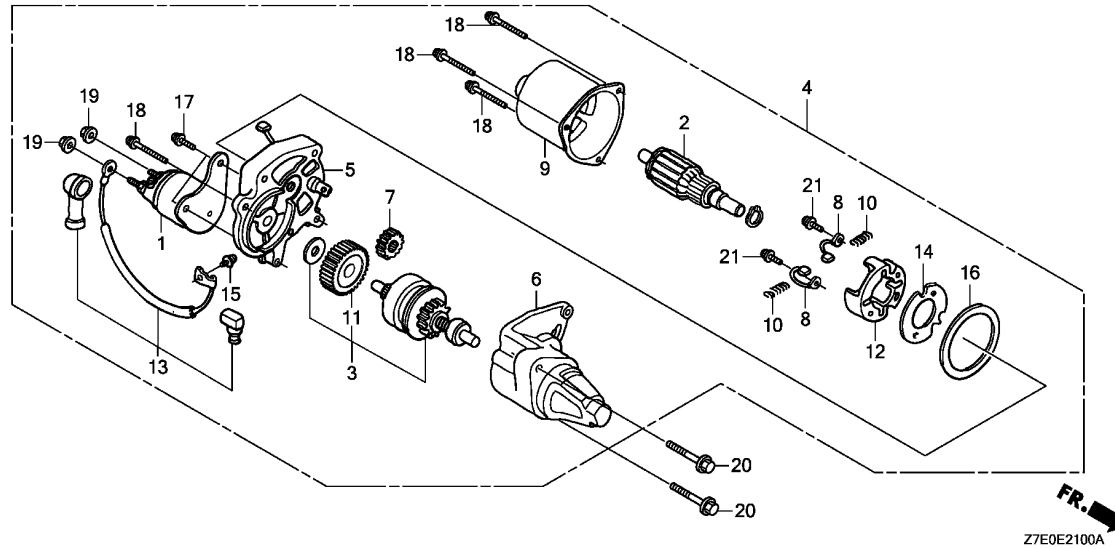
# STARTER MOTOR(1)



Ref. No.	Part No.	Description	Reqd. QTY		Serial No.	Parts catalogue code
			GX 390 H1	GX 390 H2		
9	31218-ZE3-003	YOKE COMP. ....	1	1	-----	ES4S,LXE9,QBE1,QEBR,QXE,QXEK,SWE2,SXE1,VMT3,VS6,VTE5,VXE,VXEM,VXK VXU1
10	31219-ZE2-003	SPRING, BRUSH RETURN .....	1	-	0287079	EDS1,SHE,SXE,VPXE
			4	4	-----	ES4S,LXE9,QBE1,QEBR,QXE,QXEK,SWE2,SXE1,VMT3,VS6,VTE5,VXE,VXEM,VXK VXU1
			4	-	0287079	EDS1,SHE,SXE,VPXE
11	31222-ZE3-791	GEAR, REDUCTION .....	1	1	-----	ES4S,LXE9,QBE1,QEBR,QXE,QXEK,SWE2,SXE1,VMT3,VS6,VTE5,VXE,VXEM,VXK VXU1
			1	-	0287079	EDS1,SHE,SXE,VPXE
12	31231-ZE2-003	HOLDER, BRUSH .....	1	1	-----	ES4S,LXE9,QBE1,QEBR,QXE,QXEK,SWE2,SXE1,VMT3,VS6,VTE5,VXE,VXEM,VXK VXU1
			1	-	0287079	EDS1,SHE,SXE,VPXE
13	31232-ZE3-003	WIRE, WATER COVER .....	1	1	-----	ES4S,LXE9,QBE1,QEBR,QXE,QXEK,SWE2,SXE1,VMT3,VS6,VTE5,VXE,VXEM,VXK VXU1
			1	-	0287079	EDS1,SHE,SXE,VPXE
14	31233-ZE2-003	INSULATOR .....	1	1	-----	ES4S,LXE9,QBE1,QEBR,QXE,QXEK,SWE2,SXE1,VMT3,VS6,VTE5,VXE,VXEM,VXK VXU1
			1	-	0287079	EDS1,SHE,SXE,VPXE
15	90110-ZE2-003	SCREW-WASHER, 4X6 .....	1	1	-----	ES4S,LXE9,QBE1,QEBR,QXE,QXEK,SWE2,SXE1,VMT3,VS6,VTE5,VXE,VXEM,VXK VXU1
			1	-	0287079	EDS1,SHE,SXE,VPXE
16	91601-ZE2-003	PACKING .....	1	1	-----	ES4S,LXE9,QBE1,QEBR,QXE,QXEK,SWE2,SXE1,VMT3,VS6,VTE5,VXE,VXEM,VXK VXU1
			1	-	0287079	EDS1,SHE,SXE,VPXE
17	90007-ZE2-003	BOLT-WASHER, 5X14 .....	2	2	-----	ES4S,LXE9,QBE1,QEBR,QXE,QXEK,SWE2,SXE1,VMT3,VS6,VTE5,VXE,VXEM,VXK VXU1
			2	-	0287079	EDS1,SHE,SXE,VPXE

# E-21

# STARTER MOTOR(1)

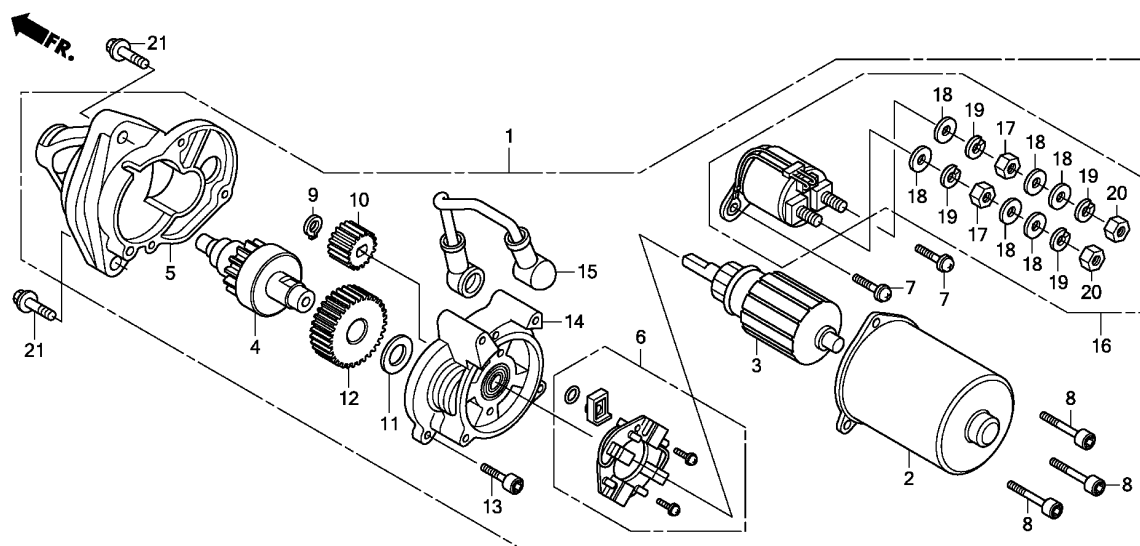


Ref. No.	Part No.	Description	Reqd. QTY		Serial No.	Parts catalogue code
			GX 390 H1	GX 390 H2		
18	93892-05032-18	SCREW-WASHER, 5X32	4	4	-----	ES4S,LXE9,QBE1,QEBR,QXE,QXEK,SWE2,SXE1,VMT3,VS6,VTE5,VXE,VXEM,VXK VXU1
19	94070-06080	NUT-WASHER, 6MM	4	-	0287079	EDS1,SHE,SXE,VPXE
20	95701-08035-08	BOLT, FLANGE, 8X35	2	-	0287079	ES4S,LXE9,QBE1,QEBR,QXE,QXEK,SWE2,SXE1,VMT3,VS6,VTE5,VXE,VXEM,VXK VXU1
			2	-	0287079	EDS1,SHE,SXE,VPXE
21	31219-ZE3-003	SCREW-WASHER, 4X14	2	2	-----	ES4S,LXE9,QBE1,QEBR,QXE,QXEK,SWE2,SXE1,VMT3,VS6,VTE5,VXE,VXEM,VXK VXU1
			2	-	0287079	EDS1,SHE,SXE,VPXE



# E-21-1

# STARTER MOTOR(2)



Ref. No.	L.O.N.	(Relative ref. Number) Description	F.R.T.
1	6121D5	MOTOR, STARTER .....	0.2
3	6121A0	ARMATURE, STARTER .....	0.4
4	6121B0	CLUTCH, OVERRUNNING .....	0.4
5	6121D2	BRACKET, STARTER :FRONT .....	0.3
6	6121A9	BRUSH, STARTER .....	0.4
10	6121E8	GEAR, STARTER DRIVE PINION ...	0.4
12	6121B5	GEAR, STARTER REDUCTION .....	0.4
14	6121C3	BRACKET, STARTER :CENTER .....	0.4
15	610115	CABLE, BATTERY STARTER .....	0.2
16	6121C9	SWITCH, STARTER MAGNETIC .....	0.3

Z7E0E2101

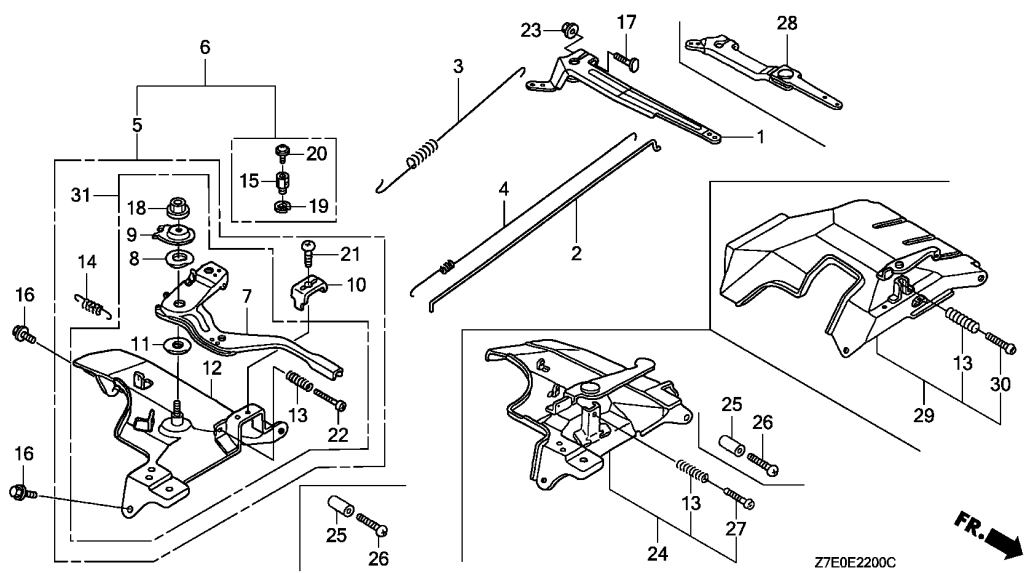
Ref. No.	Part No.	Description	Reqd. QTY		Serial No.	Parts catalogue code	
			GX 390 H1	GX 390 H2			
1	31200-Z7E-701	MOTOR ASSY., STARTER .....	1	-	EDF6,EDS2,QHE,VPKK,VPXJ,VPXK,VPXX,VXEK		
	31200-Z7E-931	.....	-	1	0287080	EDS1,SHE,SXE,VPXE	
2	31211-Z7E-701	HOUSING ASSY. ....	1	-	EDF6,EDS2,QHE,VPKK,VPXJ,VPXK,VPXX,VXEK		
			1	-	0287080	EDS1,SHE,SXE,VPXE	
			-	1	EDS1,EDS2,QHE,SHE,VPKK,VPXE,VPXK,VPXX,VXEK		
3	31212-Z7E-701	ARMATURE ASSY. ....	1	-	EDF6,EDS2,QHE,VPKK,VPXJ,VPXK,VPXX,VXEK		
			1	-	0287080	EDS1,SHE,SXE,VPXE	
4	31213-Z7E-701	GEAR ASSY., DRIVE .....	1	-	EDF6,EDS2,QHE,VPKK,VPXJ,VPXK,VPXX,VXEK		
			1	-	0287080	EDS1,SHE,SXE,VPXE	
			-	1	EDS1,EDS2,QHE,SHE,VPKK,VPXE,VPXK,VPXX,VXEK		
5	31214-Z7E-701	CONE ASSY., NOSE .....	1	-	EDF6,EDS2,QHE,VPKK,VPXJ,VPXK,VPXX,VXEK		
			1	-	0287080	EDS1,SHE,SXE,VPXE	
			-	1	EDS1,EDS2,QHE,SHE,VPKK,VPXE,VPXK,VPXX,VXEK		
6	31215-Z7E-701	BOARD ASSY., BRUSH .....	1	-	EDF6,EDS2,QHE,VPKK,VPXJ,VPXK,VPXX,VXEK		
			1	-	0287080	EDS1,SHE,SXE,VPXE	
			-	1	EDS1,EDS2,QHE,SHE,VPKK,VPXE,VPXK,VPXX,VXEK		
7	31217-Z7E-701	SCREW A .....	2	-	EDF6,EDS2,QHE,VPKK,VPXJ,VPXK,VPXX,VXEK		
			2	-	0287080	EDS1,SHE,SXE,VPXE	
			-	2	EDS1,EDS2,QHE,SHE,VPKK,VPXE,VPXK,VPXX,VXEK		
8	31218-Z7E-701	SCREW B .....	3	-	EDF6,EDS2,QHE,VPKK,VPXJ,VPXK,VPXX,VXEK		
			3	-	0287080	EDS1,SHE,SXE,VPXE	
			-	3	EDS1,EDS2,QHE,SHE,VPKK,VPXE,VPXK,VPXX,VXEK		
9	31222-Z7E-701	RING, RETAINER .....	1	-	EDF6,EDS2,QHE,VPKK,VPXJ,VPXK,VPXX,VXEK		
			1	-	0287080	EDS1,SHE,SXE,VPXE	
			-	1	EDS1,EDS2,QHE,SHE,VPKK,VPXE,VPXK,VPXX,VXEK		

# E-21-1

# STARTER MOTOR(2)

Ref. No.	Part No.	Description	Reqd. QTY		Serial No.	Parts catalogue code	
			GX 390 H1	GX 390 H2			
10	31223-Z7E-701	GEAR A .....	1	-	-----	EDF6,EDS2,QHE,VPKK,VPXJ,VPXK,VPXX,VXEK	
			1	-	0287080	-----	EDS1,SHE,SXE,VPXE
			-	1	-----	-----	EDS1,EDS2,QHE,SHE,VPKK,VPXE,VPXK,VPXX,VXEK
11	31224-Z7E-701	WASHER .....	1	-	-----	EDF6,EDS2,QHE,VPKK,VPXJ,VPXK,VPXX,VXEK	
			1	-	0287080	-----	EDS1,SHE,SXE,VPXE
			-	1	-----	-----	EDS1,EDS2,QHE,SHE,VPKK,VPXE,VPXK,VPXX,VXEK
12	31225-Z7E-701	GEAR B .....	1	-	-----	EDF6,EDS2,QHE,VPKK,VPXJ,VPXK,VPXX,VXEK	
			1	-	0287080	-----	EDS1,SHE,SXE,VPXE
			-	1	-----	-----	EDS1,EDS2,QHE,SHE,VPKK,VPXE,VPXK,VPXX,VXEK
13	31226-Z7E-701	SCREW C .....	1	-	-----	EDF6,EDS2,QHE,VPKK,VPXJ,VPXK,VPXX,VXEK	
			1	-	0287080	-----	EDS1,SHE,SXE,VPXE
			-	1	-----	-----	EDS1,EDS2,QHE,SHE,VPKK,VPXE,VPXK,VPXX,VXEK
14	31230-Z7E-701	BRACKET ASSY. ....	1	-	-----	EDF6,EDS2,QHE,VPKK,VPXJ,VPXK,VPXX,VXEK	
			1	-	0287080	-----	EDS1,SHE,SXE,VPXE
			-	1	-----	-----	EDS1,EDS2,QHE,SHE,VPKK,VPXE,VPXK,VPXX,VXEK
15	32410-Z7E-701	CABLE ASSY., STARTER .....	1	-	-----	EDF6,EDS2,QHE,VPKK,VPXJ,VPXK,VPXX,VXEK	
			1	-	0287080	-----	EDS1,SHE,SXE,VPXE
			-	1	-----	-----	EDS1,EDS2,QHE,SHE,VPKK,VPXE,VPXK,VPXX,VXEK
16	35850-Z7E-701	SWITCH ASSY., STARTER MAGNETIC	1	-	-----	EDF6,EDS2,QHE,VPKK,VPXJ,VPXK,VPXX,VXEK	
			1	-	0287080	-----	EDS1,SHE,SXE,VPXE
			-	1	-----	-----	EDS1,EDS2,QHE,SHE,VPKK,VPXE,VPXK,VPXX,VXEK
17	35851-Z7E-701	NUT, HEX., 6MM .....	2	-	-----	EDF6,EDS2,QHE,VPKK,VPXJ,VPXK,VPXX,VXEK	
			2	-	0287080	-----	EDS1,SHE,SXE,VPXE
			-	2	-----	-----	EDS1,EDS2,QHE,SHE,VPKK,VPXE,VPXK,VPXX,VXEK
18	35852-Z7E-701	WASHER .....	6	-	-----	EDF6,EDS2,QHE,VPKK,VPXJ,VPXK,VPXX,VXEK	
			6	-	0287080	-----	EDS1,SHE,SXE,VPXE
			-	6	-----	-----	EDS1,EDS2,QHE,SHE,VPKK,VPXE,VPXK,VPXX,VXEK
19	35853-Z7E-701	WASHER, SPRING, 6MM .....	4	-	-----	EDF6,EDS2,QHE,VPKK,VPXJ,VPXK,VPXX,VXEK	
			4	-	0287080	-----	EDS1,SHE,SXE,VPXE
			-	4	-----	-----	EDS1,EDS2,QHE,SHE,VPKK,VPXE,VPXK,VPXX,VXEK
20	35854-Z7E-701	NUT, HEX., 6MM .....	2	-	-----	EDF6,EDS2,QHE,VPKK,VPXJ,VPXK,VPXX,VXEK	
			2	-	0287080	-----	EDS1,SHE,SXE,VPXE
			-	2	-----	-----	EDS1,EDS2,QHE,SHE,VPKK,VPXE,VPXK,VPXX,VXEK
21	95701-08035-08	BOLT, FLANGE, 8X35 .....	2	-	-----	EDF6,EDS2,QHE,VPKK,VPXJ,VPXK,VPXX,VXEK	
			2	-	0287080	-----	EDS1,SHE,SXE,VPXE
			-	2	-----	-----	EDS1,EDS2,QHE,SHE,VPKK,VPXE,VPXK,VPXX,VXEK





Ref. No.	L.O.N.	(Relative ref. Number) Description	F.R.T.
1		(28)	
1	1161A0	ARM, GOVERNOR .....	0.2
2	1161B1	ROD, GOVERNOR .....	0.3
3	1161C5	SPRING, GOVERNOR .....	0.2
4	1161C2	SPRING, THROTTLE RETURN .....	0.3
5		(6,24,29,31)	
5	1161A5	CONTROL, THROTTLE/GOVERNOR ...	0.2
7	1161A8	LEVER, CONTROL .....	0.3
12	1161A2	BASE, CONTROL .....	0.3

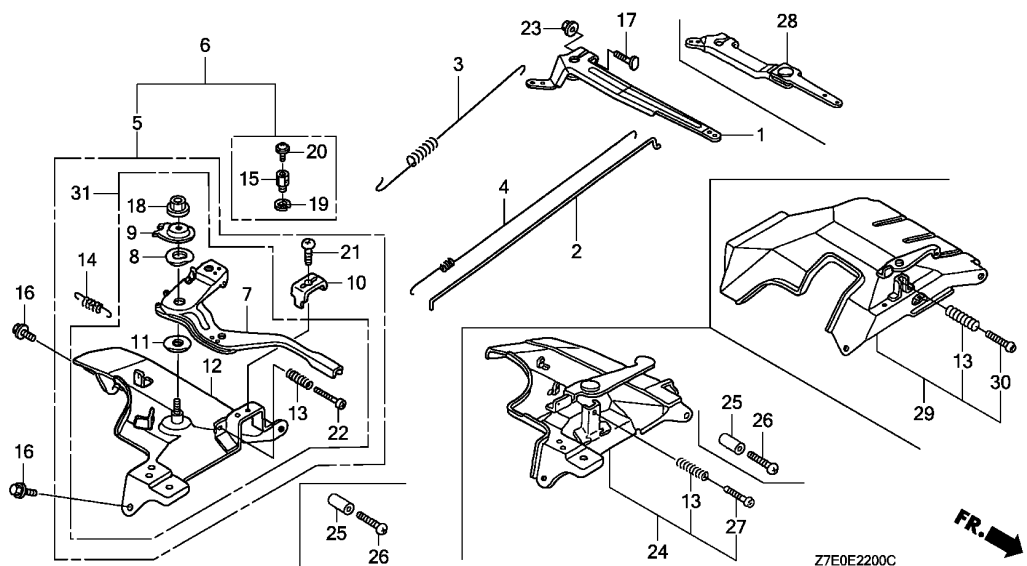
Ref. No.	Part No.	Description	Reqd. QTY		Serial No.	Parts catalogue code
			GX 390 H1	GX 390 H2		
1	16551-ZE3-000	ARM, GOVERNOR .....	1	1	-----	LH,LH1,LH2,LHB5,LHP1,LXE9,PX,QA2,QBE1,QEBR,QH,QH1,QHB1,QHB3,QHB5,QHBR,QHE,QHP1,QMH,QN,QP,QX,QXBR,QXE,QXEK,QXHQ,QXK,SH,SH1,SHE,SM11,SWE2,SWX2,SX,SX1,SXC,SXC1,SXE,SXE1,VPKK,VPX4,VPXB,VPXE,VPXJ,VPXK,VPXX,VSP,VTE5,VX,VX1,VX1M,VXE,VXEK,VXEM,VXK,VXKS,VXU1
2	16555-ZE3-000	ROD, GOVERNOR .....	1	1	-----	EDF6
3	16561-ZK6-D70	SPRING, GOVERNOR .....	1	-	-----	EDS1,EDS2,EDT1,ES2,ES3S,ES4S,LH,LH1,LH2,LHB5,LHP1,LXE9,PX,QA2,QBE1,QEBR,QH,QH1,QHB1,QHB3,QHB5,QHBR,QHE,QHP1,QMH,QN,QP,QX,QXBR,QXE,QXEK,QXHQ,QXK,SH,SH1,SHE,SM11,SWE2,SWX2,SX,SX1,SXC,SXC1,SXE,SXE1,VMQ3,VMT3,VS4,VS6,VS4,VS6,VTE5
	16561-ZE3-000	SPRING, GOVERNOR(L=137.5MM) -	1	-	-----	VPKK,VPX4,VPXB,VPXE,VPXJ,VPXK,VPXX,VXEK,VXKS
	16561-ZE3-710	SPRING, GOVERNOR(L=132.0MM) -	1	-	-----	VSP,VXK,VXU1
	16561-ZF6-T21	SPRING, GOVERNOR .....	1	-	-----	VX,VX1,VX1M,VXE,VXEM
	16561-ZF6-W32	.....	-	1	-----	EDS1,EDS2,EDT1,ES2,VPKK,VPXB,VPXE,VPXK,VPXX,VXEK,VXKS
	16561-ZK6-D70	.....	-	1	-----	LH,LH1,PX,QH,QH1,QHE,QMH,QX,QXE,QXHQ,SH,SH1,SHE,SM11,SWX2,SX,SX1,SXC,SXC1,VTE5
	16561-ZE3-000	SPRING, GOVERNOR(L=137.5MM) -	-	1	-----	QN,VX,VX1,VX1M,VXE,VXEM
4	16562-ZE3-700	SPRING, GOVERNOR .....	-	1	-----	EDF6,EDS1,EDS2,EDT1,ES2,ES3S,ES4S,VMQ3,VMT3,VS4,VS6,VS4
	16562-ZE3-000	SPRING, THROTTLE RETURN .....	1	1	-----	LH,LH1,LH2,LHB5,LHP1,LXE9,PX,QA2,QBE1,QEBR,QH,QH1,QHB1,QHB3,QHB5,QHBR,QHE,QHP1,QMH,QN,QP,QX,QXBR,QXE,QXEK,QXHQ,QXK,SH,SH1,SHE,SM11,SWE2,SWX2,SX,SX1,SXC,SXC1,SXE,SXE1,VPKK,VPX4,VPXB,VPXE,VPXJ,VPXK,VPXX,VSP,VTE5,VX,VX1,VX1M,VXE,VXEK,VXEM,VXK,VXKS,VXU1
	16562-ZE2-700	.....	-	1	-----	LH,LH1,PX,QH,QH1,QHE,QMH,QN,QX,QXE,QXHQ,SH1,SHE,SM11,SWX2,SX,SX1,SXC,SXC1,VPKK,VPXB,VPXE,VPXK,VPXX,VTE5,VX,VX1,VX1M,VXE,VXEK,VXEM,VXKS
5	16570-ZE3-W20	CONTROL ASSY. (REMOTE) .....	1	-	-----	SH
					-----	LH,LH1,LH2,LHB5,LHP1,LXE9,PX,QA2,QEBR,QH,QH1,QHB3,QHB5,QHBR,QHE,QHP1,QMH,QN,QP,QX,QXBR,QXE,QXEK,QXHQ,QXK,SH,SH1,SHE,SWE2,SWX2,SX,SX1,SXC,SXC1,SXE,SXE1

E-22

CONTROL

Ref. No.	Part No.	Description	Reqd. QTY		Serial No.	Parts catalogue code
			GX 390 H1	GX 390 H2		
(5)	16500-Z5T-810	CONTROL ASSY. (REMOTE) (ROD) ..	-	1	-----	LH, LH1, PX, QH, QH1, QHE, QMH, QN, QP, QX, QXE, QXHQ, SH, SH1, SHE, SWX2, SX, SX1, SXC, SXC1
6	16570-ZE3-W10	CONTROL ASSY. (REMOTE) .....	1	-	-----	QBE1, QHB1, SM11
	16500-Z5T-800	.....	-	1	-----	SM11
7	16571-ZE3-W00	LEVER, CONTROL .....	1	1	-----	LH, LH1, LH2, LHB5, LHP1, LXE9, PX, QA2, QBE1, QEBR, QH, QH1, QHB1, QHB3, QHB5, QHBR, QHE, QHP1, QMH, QN, QP, QX, QXBR, QXE, QXEK, QXHQ, QXK, SH, SH1, SHE, SM11, SWE2, SWX2, SX, SX1, SXC, SXC1, SXE, SXE1, VTE5, VX, VX1, VX1M, VXE, VXEM
8	16574-ZE1-000	SPRING, LEVER .....	1	1	-----	LH, LH1, LH2, LHB5, LHP1, LXE9, PX, QA2, QBE1, QEBR, QH, QH1, QHB1, QHB3, QHB5, QHBR, QHE, QHP1, QMH, QN, QP, QX, QXBR, QXE, QXEK, QXHQ, QXK, SH, SH1, SHE, SM11, SWE2, SWX2, SX, SX1, SXC, SXC1, SXE, SXE1, VTE5, VX, VX1, VX1M, VXE, VXEM
9	16575-ZE2-W00	WASHER, CONTROL LEVER .....	1	1	-----	LH, LH1, LH2, LHB5, LHP1, LXE9, PX, QA2, QBE1, QEBR, QH, QH1, QHB1, QHB3, QHB5, QHBR, QHE, QHP1, QMH, QN, QP, QX, QXBR, QXE, QXEK, QXHQ, QXK, SH, SH1, SHE, SM11, SWE2, SWX2, SX, SX1, SXC, SXC1, SXE, SXE1, VTE5, VX, VX1, VX1M, VXE, VXEM
10	16576-891-000	HOLDER, CABLE .....	1	1	-----	LH, LH1, LH2, LHB5, LHP1, LXE9, PX, QA2, QBE1, QEBR, QH, QH1, QHB1, QHB3, QHB5, QHBR, QHE, QHP1, QMH, QN, QP, QX, QXBR, QXE, QXEK, QXHQ, QXK, SH, SH1, SHE, SM11, SWE2, SWX2, SX, SX1, SXC, SXC1, SXE, SXE1
11	16578-ZE1-000	SPACER, CONTROL LEVER .....	1	1	-----	LH, LH1, LH2, LHB5, LHP1, LXE9, PX, QA2, QBE1, QEBR, QH, QH1, QHB1, QHB3, QHB5, QHBR, QHE, QHP1, QMH, QN, QP, QX, QXBR, QXE, QXEK, QXHQ, QXK, SH, SH1, SHE, SM11, SWE2, SWX2, SX, SX1, SXC, SXC1, SXE, SXE1, VTE5, VX, VX1, VX1M, VXE, VXEM
12	16581-ZE3-W00	BASE COMP., CONTROL(###) ....	1	-	-----	LH, LH1, LH2, LHB5, LHP1, LXE9, PX, QA2, QBE1, QEBR, QH, QH1, QHB1, QHB3, QHB5, QHBR, QHE, QHP1, QMH, QN, QP, QX, QXBR, QXE, QXEK, QXHQ, QXK, SH, SH1, SHE, SM11, SWE2, SWX2, SX, SX1, SXC, SXC1, SXE, SXE1, VTE5, VX, VX1, VX1M, VXE, VXEM
	16580-Z5T-000	BASE COMP., CONTROL .....	-	1	-----	LH, LH1, PX, QH, QH1, QHE, QMH, QN, QP, QX, QXE, QXHQ, SH, SH1, SHE, SM11, SWX2, SX, SX1, SXC, SXC1, VTE5, VX, VX1, VX1M, VXE, VXEM
13	16584-883-300	SPRING, CONTROL ADJUSTING ...	1	1	-----	
14	16592-883-310	SPRING, CABLE RETURN .....	1	1	-----	LH, LH1, LH2, LHB5, LHP1, LXE9, PX, QA2, QBE1, QEBR, QH, QH1, QHB1, QHB3, QHB5, QHBR, QHE, QHP1, QMH, QN, QP, QX, QXBR, QXE, QXEK, QXHQ, QXK, SH, SH1, SHE, SM11, SWE2, SWX2, SX, SX1, SXC, SXC1, SXE, SXE1
15	16594-883-010	HOLDER, WIRE .....	1	1	-----	QBE1, QHB1, SM11
16	90013-883-000	BOLT, FLANGE, 6X12(CT200) ...	2	2	-----	
17	90015-ZE5-010	BOLT, GOVERNOR ARM .....	1	1	-----	
18	90114-SA0-000	NUT, SELF-LOCK, 6MM .....	1	1	-----	LH, LH1, LH2, LHB5, LHP1, LXE9, PX, QA2, QBE1, QEBR, QH, QH1, QHB1, QHB3, QHB5, QHBR, QHE, QHP1, QMH, QN, QP, QX, QXBR, QXE, QXEK, QXHQ, QXK, SH, SH1, SHE, SM11, SWE2, SWX2, SX, SX1, SXC, SXC1, SXE, SXE1, VTE5, VX, VX1, VX1M, VXE, VXEM
	90202-Z1T-000	.....	1	-	-----	LH1, LH2, LHB5, LHP1, LXE9, PX, QBE1, QEBR, QH1, QHB1, QHB3, QHB5, QHBR, QHE, QHP1, QMH, QN, QP, QX, QXBR, QXE, QXEK, QXK, SH1, SWE2, SWX2, SX1, SXC1, SXE1, VTE5, VX, VX1, VX1M, VXE, VXEM
			1	-	0166525	LH, QA2, QH, QXHQ, SH, SHE, SX, SXC, SXE
			1	-	0169782	SM11
19	90605-230-000	CIRCLIP, 5MM .....	1	1	-----	QBE1, QHB1, SM11
	90605-Z1T-000	.....	1	-	-----	QBE1, QHB1, SM11
20	93500-04006-0H	SCREW, PAN, 4X6 .....	1	1	-----	QBE1, QHB1, SM11
21	93500-05016-0A	SCREW, PAN, 5X16 .....	1	1	-----	LH, LH1, LH2, LHB5, LHP1, LXE9, PX, QA2, QBE1, QEBR, QH, QH1, QHB1, QHB3, QHB5, QHBR, QHE, QHP1, QMH, QN, QP, QX, QXBR, QXE, QXEK, QXHQ, QXK, SH, SH1, SHE, SM11, SWE2, SWX2, SX, SX1, SXC, SXC1, SXE, SXE1
22	93500-05032-0A	SCREW, PAN, 5X32 .....	1	1	-----	LH, LH1, LH2, LHB5, LHP1, LXE9, PX, QA2, QBE1, QEBR, QH, QH1, QHB1, QHB3, QHB5, QHBR, QHE, QHP1, QMH, QN, QP, QX, QXBR, QXE, QXEK, QXHQ, QXK, SH, SH1, SHE, SM11, SWE2, SWX2, SX, SX1, SXC, SXC1, SXE, SXE1, VTE5, VX, VX1, VX1M, VXE, VXEM
23	94050-06000	NUT, FLANGE, 6MM .....	1	1	-----	
24	16570-ZE3-721	CONTROL ASSY. .....	1	-	-----	VPKK, VPX4, VPXB, VPXE, VPXJ, VPXK, VPXX, VSP, VVK, VXU1
	16500-Z5T-870	.....	-	1	-----	VPKK, VPXB, VPXE, VPXK, VPXX
25	16599-ZG1-M10	COLLAR, STOPPER .....	(1)	(1)	-----	QHB1, VPKK, VPX4, VPXB, VPXE, VPXJ, VPXK, VPXX, VXEK, VXKS
26	90016-ZG9-N30	SCREW, RECESSED, 5X25 .....	(1)	(1)	-----	QHB1, VPKK, VPX4, VPXB, VPXE, VPXJ, VPXK, VPXX, VXEK, VXKS



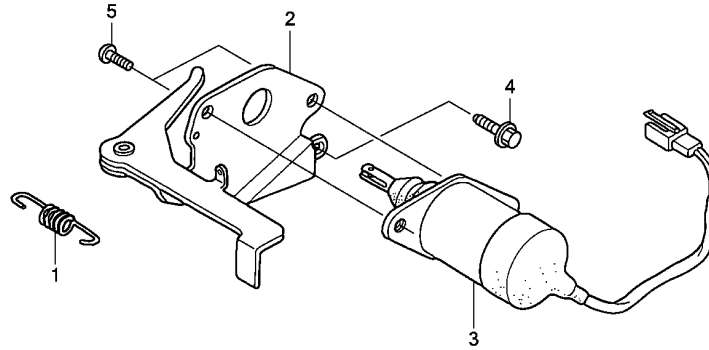


Z7E0E2200C

Ref. No.	Part No.	Description	Reqd. QTY		Serial No.	Parts catalogue code
			GX 390 H1	GX 390 H2		
27	93500-05045-0A	SCREW, PAN, 5X45 .....	1	1	-----	VPKK,VPX4,VPXB,VPXE,VPXJ,VPXK,VPXX,VSP,VXK,VXU1
28	16550-ZE3-700	ARM COMP., GOVERNOR .....	1	1	-----	EDF6,EDS1,EDS2,EDT1,ES2,ES3S,ES4S,VMQ3,VMT3,VS4,VS6,USB4
29	16570-ZE3-710	CONTROL ASSY. ....	1	-	-----	EDF6,EDS1,EDS2,EDT1,ES2,ES3S,ES4S,VMQ3,VMT3,VS4,VS6,USB4
	16570-ZE3-700	.....	1	-	0840494	VXEK,VXKS
	16500-Z5T-890	.....	-	1	0840495	VXEK,VXKS
	16500-Z5T-880	.....	-	1	-----	EDS1,EDS2,EDT1,ES2
30	93500-05035-0A	SCREW, PAN, 5X35 .....	1	1	-----	VXEK,VXKS
						EDF6,EDS1,EDS2,EDT1,ES2,ES3S,ES4S,VMQ3,VMT3,VS4,VS6,USB4,VXEK,VXKS
31	16570-ZE3-W00	CONTROL ASSY. (STD.) .....	1	-	-----	VTE5,VX,VX1,VX1M,VXE,VXEM
	16500-Z5T-000	.....	-	1	-----	VTE5,VX,VX1,VX1M,VXE,VXEM

**E-22-20**

**AUTO THROTTLE**



Z7E0E2220

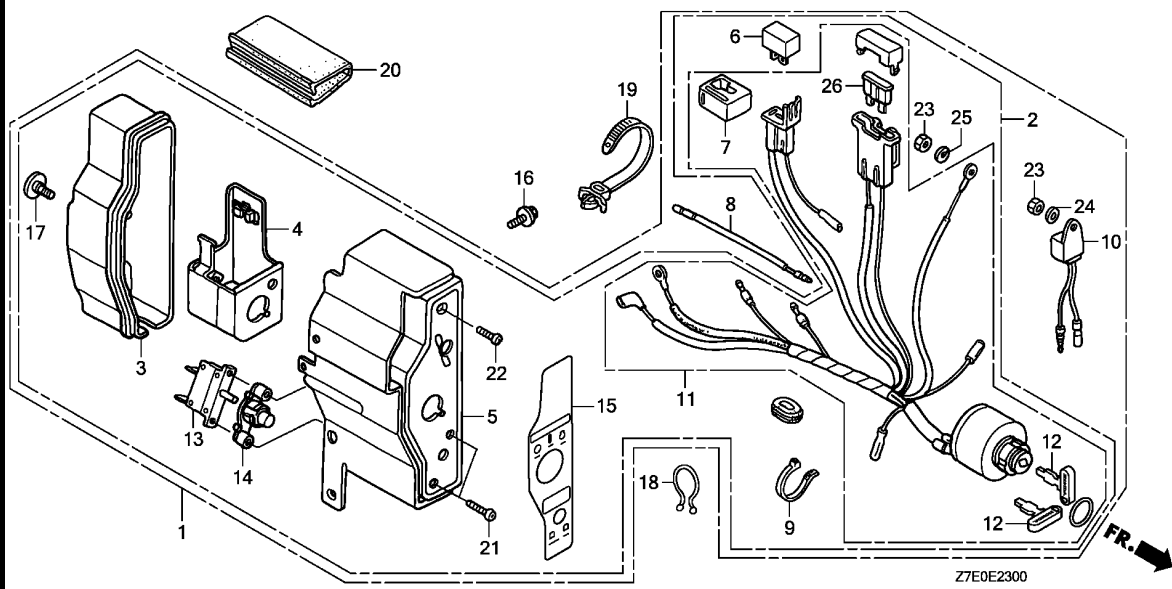
Ref. No.	L.O.N.	(Relative ref. Number) Description	F.R.T.
1	8101Q9	SPRING, CHOKE RETURN .....	0.1
2	8101H1	LEVER, THROTTLE .....	0.2
3	6211C5	SOLENOID, AUTO THROTTLE .....	0.3

Ref. No.	Part No.	Description	Reqd. QTY		Serial No.	Parts catalogue code
			GX 390 H1	GX 390 H2		
1	16268-893-000	SPRING, CHOKE RETURN .....	1	-	-----	VMQ3,VMT3
2	17850-ZD1-E30	LEVER COMP., THROTTLE .....	1	-	-----	VMQ3,VMT3
3	36160-ZB4-013	SOLENOID ASSY. ....	1	-	-----	VMQ3,VMT3
4	90013-883-000	BOLT, FLANGE, 6X12(CT200) ...	1	-	-----	VMQ3,VMT3
5	93500-05008-0A	SCREW, PAN, 5X8 .....	2	-	-----	VMQ3,VMT3



# E-23

# CONTROL BOX



Ref. No.	L.O.N.	(Relative ref. Number) Description	F.R.T.
1		(2)	
1	6221N7	BOX, ENGINE CONTROL .....	0.1
5	6221P7	PANEL, ENGINE CONTROL .....	0.2
6	6131B8	RECTIFIER, SILICON .....	0.2
10	6151K4	ALERT UNIT, ENGINE CONTROL OIL .....	0.2
11	6151E1	SWITCH, COMBINATION .....	0.2
13	6221D4	PROTECTOR, CIRCUIT .....	0.2
26	8121A7	FUSE, BLADE .....	0.1

Ref. No.	Part No.	Description	Reqd. QTY		Serial No.	Parts catalogue code
			GX 390 H1	GX 390 H2		
1	31610-Z5T-803ZA	BOX ASSY., CONTROL(EXP-ALERT) *R280*.....POWER RED	1	-	----- LXE9	
	31610-ZE3-W14ZE	BOX ASSY., CONTROL(ALERT) *R280*.....POWER RED	1	-	----- QEBR,QXE,QXEK,SXE,SXE1,VMT3,VTE5,VXE,VXEM,VXK,VXU1	
2	31610-ZE3-812ZD	BOX ASSY., CONTROL *R280*.....POWER RED	1	-	----- QBE1,QHE,SHE,SWE2	
	31610-Z5T-811ZA	BOX ASSY., CONTROL(EXTERNAL) *NH1*.....BLACK	-	1	----- QHE,QXE,SHE,VTE5,VXE,VXEM	
	31610-Z5T-811ZB	*R280*.....POWER RED	-	1	----- QHE,QXE,SHE,VTE5,VXE,VXEM	
3	31612-ZE2-003	CASE, CONTROL .....	1	1	----- LXE9,QBE1,QEBR,QHE,QXE,QXEK,SHE,SWE2,SXE,SXE1,VMT3,VTE5,VXE,VXEM,VXK,VXU1	
4	31614-ZE2-003	BRACKET, CASE MOUNTING .....	1	1	----- LXE9,QBE1,QEBR,QHE,QXE,QXEK,SHE,SWE2,SXE,SXE1,VMT3,VTE5,VXE,VXEM,VXK,VXU1	
5	31615-ZE3-003ZE	PANEL COMP., CONTROL *R280*.....POWER RED	1	1	----- LXE9,QBE1,QEBR,QHE,QXE,QXEK,SHE,SWE2,SXE,SXE1,VMT3,VTE5,VXE,VXEM,VXK,VXU1	
	31615-ZE3-003ZA	*NH1*.....BLACK	-	1	----- QHE,QXE,SHE,VTE5,VXE,VXEM	
6	31700-124-008	RECTIFIER ASSY., SILICON (SHINDENGEN)	1	1	----- LXE9,QBE1,QEBR,QHE,QXE,QXEK,SHE,SWE2,SXE,SXE1,VMT3,VTE5,VXE,VXEM,VXK,VXU1	
7	32127-738-700	SUSPENSION, COUPLER .....	1	1	----- LXE9,QBE1,QEBR,QHE,QXE,QXEK,SHE,SWE2,SXE,SXE1,VMT3,VTE5,VXE,VXEM,VXK,VXU1	
8	32197-ZE1-003	HARNESS, SUB WIRE .....	1	-	----- LXE9,QEBR,QXE,QXEK,SXE,SXE1,VMT3,VTE5,VXE,VXEM,VXK,VXU1	
9	32902-892-003	BAND .....	1	1	----- LXE9,QBE1,QEBR,QHE,QXE,QXEK,SHE,SWE2,SXE,SXE1,VMT3,VTE5,VXE,VXEM,VXK,VXU1	
10	34150-ZH7-023	ALERT UNIT, OIL .....	1	-	----- LXE9,QEBR,QXE,QXEK,SXE,SXE1,VMT3,VTE5,VXE,VXEM,VXK,VXU1	

# E-23

# CONTROL BOX

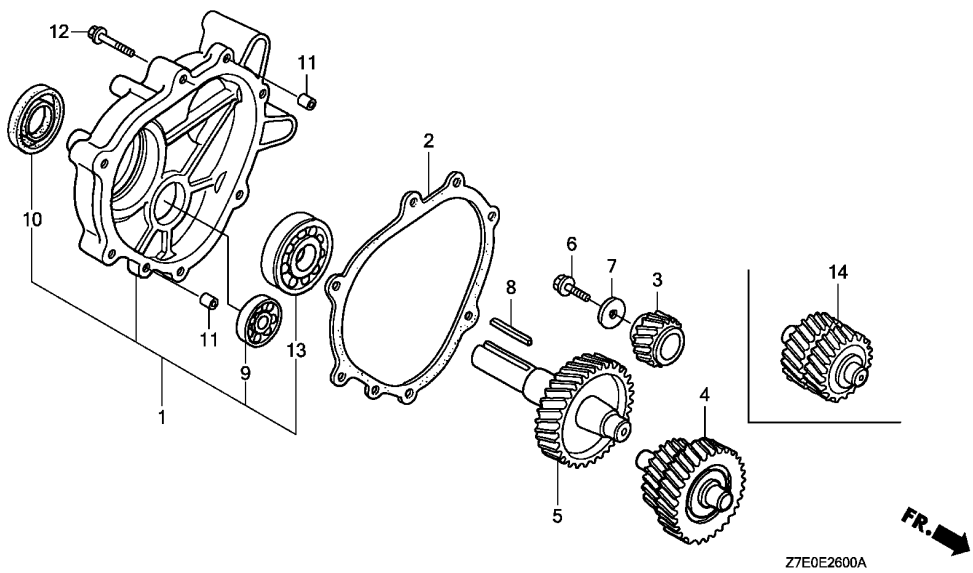
Ref. No.	Part No.	Description	Reqd. QTY		Serial No.	Parts catalogue code
			GX 390 H1	GX 390 H2		
11	35100-ZE2-033	SWITCH ASSY., COMBINATION ...	1	-	-----	LXE9,QBE1,QEBR,QHE,QXE,QXEK,SHE,SWE2,SXE,SXE1,VMT3,VTE5,VXE,VXEM,VXK VXU1
	35100-Z5T-811	.....	-	1	-----	QHE,QXE,SHE,VTE5,VXE,VXEM
12	35111-880-013	KEY COMP.(HONDA LOCK) .....	2	2	-----	LXE9,QBE1,QEBR,QHE,QXE,QXEK,SHE,SWE2,SXE,SXE1,VMT3,VTE5,VXE,VXEM,VXK VXU1
13	38240-VA3-900	PROTECTOR, CIRCUIT(1.0A) ....	1	1	-----	LXE9,QBE1,QEBR,QHE,QXE,QXEK,SHE,SWE2,SXE,SXE1,VMT3,VTE5,VXE,VXEM,VXK VXU1
14	38250-ZA8-701	LENS ASSY., PROTECTOR .....	1	1	-----	LXE9,QBE1,QEBR,QHE,QXE,QXEK,SHE,SWE2,SXE,SXE1,VMT3,VTE5,VXE,VXEM,VXK VXU1
15	87529-Z4T-840	MARK, CONTROL BOX(EXTERNAL) -	1	-	-----	LXE9
	87529-ZE2-812	MARK, CONTROL BOX(EXP) .....	1	-	-----	QBE1,QEBR,QHE,QXE,QXEK,SHE,SWE2,SXE,SXE1,VMT3,VTE5,VXE,VXEM,VXK,VXU1
	87529-Z4T-840	MARK, CONTROL BOX(EXTERNAL) -	-	1	-----	QHE,QXE,SHE,VTE5,VXE,VXEM
16	90013-883-000	BOLT, FLANGE, 6X12(CT200) ...	2	2	-----	LXE9,QBE1,QEBR,QHE,QXE,QXEK,SHE,SWE2,SXE,SXE1,VMT3,VTE5,VXE,VXEM,VXK VXU1
17	90380-MA6-010	SCREW, SPECIAL, 6X12 .....	1	1	-----	LXE9,QBE1,QEBR,QHE,QXE,QXEK,SHE,SWE2,SXE,SXE1,VMT3,VTE5,VXE,VXEM,VXK VXU1
18	90630-751-000	CLIP, PURSE LOCK .....	1	1	-----	LXE9,QBE1,QEBR,QHE,QXE,QXEK,SHE,SWE2,SXE,SXE1,VMT3,VTE5,VXE,VXEM,VXK VXU1
19	90672-SA0-003	STRAP, CABLE, 118MM(BLACK) ..	1	1	-----	LXE9,QBE1,QEBR,QHE,QXE,QXEK,SHE,SWE2,SXE,SXE1,VMT3,VTE5,VXE,VXEM,VXK VXU1
20	91406-ZE2-003	TUBE, FASTENER, 30MM .....	1	1	-----	LXE9,QBE1,QEBR,QHE,QXE,QXEK,SHE,SWE2,SXE,SXE1,VMT3,VTE5,VXE,VXEM,VXK VXU1
21	93500-03012-0H	SCREW, PAN, 3X12 .....	2	2	-----	LXE9,QBE1,QEBR,QHE,QXE,QXEK,SHE,SWE2,SXE,SXE1,VMT3,VTE5,VXE,VXEM,VXK VXU1
22	93500-04012-0H	SCREW, PAN, 4X12 .....	1	-	-----	LXE9,QBE1,QEBR,QHE,QXE,QXEK,SHE,SWE2,SXE,SXE1,VMT3,VTE5,VXE,VXEM,VXK VXU1
23	94001-04390-0S	NUT, HEX., 4MM .....	2	-	-----	LXE9,QEBR,QXE,QXEK,SXE,SXE1,VMT3,VTE5,VXE,VXEM,VXK,VXU1
			1	-	-----	QBE1,QHE,SHE,SWE2
24	94101-04800	WASHER, PLAIN, 4MM .....	1	-	-----	LXE9,QEBR,QXE,QXEK,SXE,SXE1,VMT3,VTE5,VXE,VXEM,VXK,VXU1
25	94111-04800	WASHER, SPRING, 4MM .....	1	-	-----	LXE9,QBE1,QEBR,QHE,QXE,QXEK,SHE,SWE2,SXE,SXE1,VMT3,VTE5,VXE,VXEM,VXK VXU1
26	98200-30500	FUSE, BLADE(5A) .....	1	1	-----	LXE9,QBE1,QEBR,QHE,QXE,QXEK,SHE,SWE2,SXE,SXE1,VMT3,VTE5,VXE,VXEM,VXK VXU1





E-26

REDUCTION(1/2)

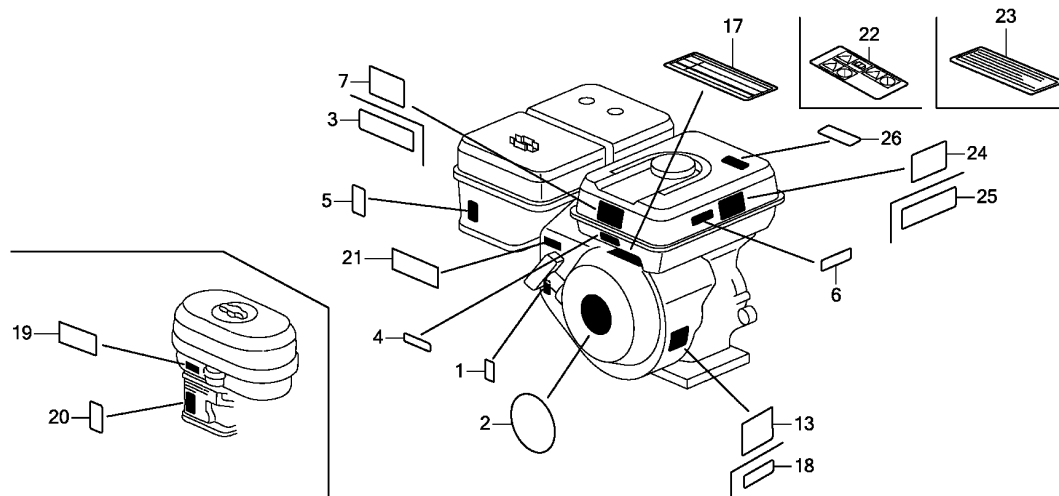


Ref. No.	L.O.N.	(Relative ref. Number) Description	F.R.T.
1		(2)	
2141AL		REDUCTION COVER AND/OR PACKING (L-TYPE) .....	0.2
3	2141L2	GEAR, PRIMARY DRIVE .....	0.2
4		(14)	
2141AK		COUNTERSHAFT, REDUCTION (L-TYPE) .....	0.2
5	2141V7	SHAFT, POWER TAKE OFF(L-TYPE)	0.2
9	2141AJ	BEARING, REDUCTION COUNTERSHAFT(L-TYPE) :REAR ..	0.3
10	2141X3	OIL SEAL, POWER TAKE OFF SHAFT (L-TYPE) :REAR .....	0.3
13	2141X8	BEARING, POWER TAKE OFF SHAFT (L-TYPE) :REAR .....	0.3

Ref. No.	Part No.	Description	Reqd. QTY		Serial No.	Parts catalogue code
			GX 390 H1	GX 390 H2		
1	11500-Z7E-020	COVER ASSY., GEAR CASE .....	1	1	-----	LH,LH1,LH2,LHB5,LHP1,LXE9
2	11521-Z7B-701	PACKING, CHAIN CASE COVER (NINGBO SIL GASKET)	1	1	-----	LH,LH1,LH2,LHB5,LHP1,LXE9
	11521-ZE2-800	PACKING, CHAIN CASE COVER ...	1	1	-----	LH,LH1,LH2,LHB5,LHP1,LXE9
3	22103-ZE3-610	GEAR, PRIMARY DRIVE(22T) ...	1	1	-----	LH,LH1,LH2,LHB5,LXE9
	22103-ZE3-W00	GEAR, PRIMARY DRIVE(BANKA) (27T)	1	-	-----	LHP1
4	23220-ZE3-610	COUNTERSHAFT COMP.(21T/27T) -	1	1	-----	LH,LH1,LH2,LHB5,LXE9
5	23710-ZE3-610	SHAFT, P.T.O.(33T) .....	1	1	-----	LH,LH1,LH2,LHB5,LXE9
	23710-ZF6-Y30	SHAFT, P.T.O.(HPI)(33T) .....	1	-	-----	LHP1
6	90107-959-003	BOLT, FLANGE, 8X25 .....	1	1	-----	LH,LH1,LH2,LHB5,LHP1,LXE9
7	90473-ZE3-010	WASHER, 8.5X42X4.5 .....	1	1	-----	LH,LH1,LH2,LHB5,LHP1,LXE9
8	90741-805-000	KEY, 7X7X33 .....	1	1	-----	LH,LH1,LH2,LHB5,LXE9
	90741-889-810	KEY, 7X7X33(YELLOW)(O.S.) ...	(1)	(1)	-----	LH,LH1,LH2,LHB5,LXE9
	90745-ZK2-800	KEY, 6.3X6.3X33 .....	1	-	-----	LHP1
9	91009-KJ1-003	BEARING, RADIAL BALL, 6202 (NTN)	1	1	-----	LH,LH1,LH2,LHB5,LHP1,LXE9
10	91201-Z7B-003	OIL SEAL, 30X46X8 .....	1	1	-----	LH,LH1,LH2,LHB5,LHP1,LXE9
11	94301-08140	DOWEL PIN, 8X14 .....	2	2	-----	LH,LH1,LH2,LHB5,LHP1,LXE9
12	95701-08040-00	BOLT, FLANGE, 8X40 .....	6	6	-----	LH,LH1,LH2,LHB5,LHP1,LXE9
13	91001-Z7B-003	BEARING, RADIAL BALL, 6206 ..	1	1	-----	LH,LH1,LH2,LHB5,LHP1,LXE9
	96100-62060-00	.....	1	1	-----	LH,LH1,LH2,LHB5,LHP1,LXE9
14	23222-ZE3-W00	GEAR, COUNTER(BANKA)(21T) ...	1	-	-----	LHP1

# E-28

# LABEL



Z7E0E2800L

Ref. L.O.N. (Relative ref. Number) F.R.T.  
No. Description

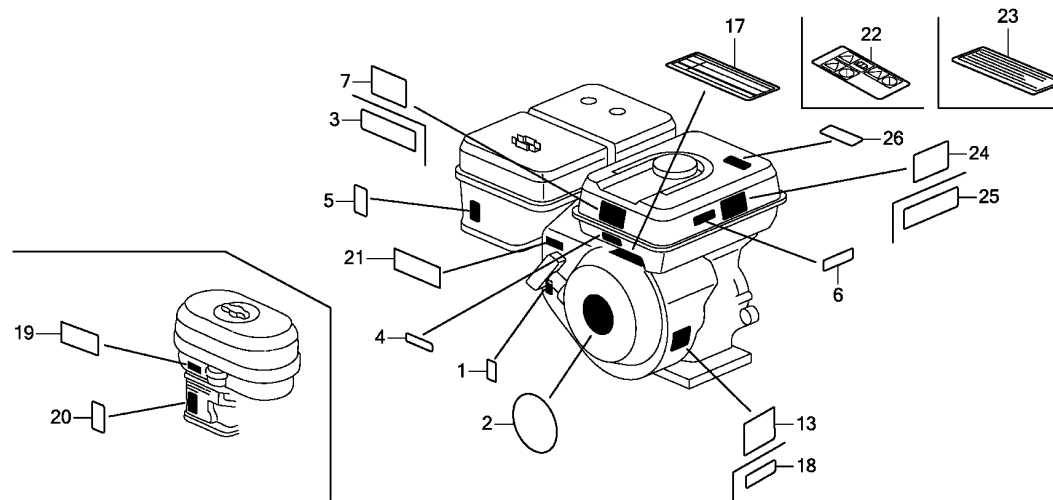
NO INFORMATION .....

Ref. No.	Part No.	Description	Reqd. QTY		Serial No.	Parts catalogue code
			GX 390 H1	GX 390 H2		
1	87114-ZH7-000	LABEL, WARNING (NOT CERTIFIED FOR SALE)	1	1	-----	EDF6,EDS1,EDS2,EDT1,ES2,ES3S,ES4S,LH,LH1,LH2,LHB5,LHP1,LXE9,PX,QA2,QEBR,QH,QH1,QHB3,QHB5,QHBR,QHE,QHP1,QMH,QN,QP,QX,QXBR,QXE,QXEK,QXHQ,QXK,SH,SH1,SHE,SM11,SWE2,SWX2,SX,SX1,SXC,SXC1,SXE,SXE1,VMQ3,VMT3,VPKK,VPX4,VPXB,VPXE,VPXJ,VPXK,VPXX,VSP,VTE5,VX,VX1,VX1M,VXE,VXEK,VXEM,VXK,VXKS,VXU1
	87114-ZH7-840	.....	1	-	-----	QBE1,QHB1,VSP
2	87521-ZF6-W04	EMBLEM(HONDA GX390)	1	1	-----	EDF6,EDS1,EDS2,EDT1,LH,LH1,LH2,LHB5,LXE9,PX,QA2,QBE1,QEBR,QH,QH1,QHB1,QHB3,QHB5,QHBR,QHE,QHP1,QMH,QN,QP,QX,QXBR,QXE,QXEK,QXHQ,QXK,SH,SH1,SHE,SM11,SWE2,SWX2,SX,SX1,SXC,SXC1,SXE,SXE1,VMQ3,VMT3,VPKK,VPX4,VPXB,VPXE,VPXJ,VPXK,VPXX,VSP,VTE5,VX,VX1,VX1M,VXE,VXEK,VXEM,VXK,VXKS,VXU1
3	87522-Z1T-G21	LABEL, CAUTION	1	-	-----	LH1,LHB5,LHP1,PX,QH1,QHB3,QHB5,QHP1,QMH,QN,QP,QX,QXE,SH1,SX1,SXC1,SXE1,VX1,VXE,VXU1
	87516-Z1T-800	MARK, OPERATOR CAUTION(KOREAN)	1	-	-----	LXE9,QXEK,QXK,VXK
	87516-ZK6-810	MARK, OPERATOR CAUTION (CHINESE)(MADE IN CHINA)	1	-	-----	QA2,QXHQ
	87522-ZH9-010	LABEL, CAUTION(ENGLISH, ETC.)	1	-	0051201	LH,QH,SH,SHE,SX,SXC,SXE,VX
4	87522-Z1T-J00	LABEL, CAUTION(CHINESE)	1	-	0051201	LH,QH,SH,SHE,SM11,SX,SXC,SXE,VX
	87528-Z7E-000	MARK, CHOKE	1	-	0000149	0051201 VPX4
	87528-ZH7-000	MARK, CHOKE(GRAY)	1	-	-----	LH,LH1,LH2,LHB5,LHP1,PX,QA2,QEBR,QH,QH1,QHB3,QHB5,QHBR,QHE,QHP1,QMH,QN,QX,QXBR,QXE,QXEK,QXHQ,QXK,SH,SH1,SHE,SM11,SX,SX1,SXC,SXC1,SXE,SXE1,VTE5,VX,VX1,VX1M,VXE,VXEM,VXK,VXU1
	87528-Z7E-000	MARK, CHOKE	-	1	-----	LXE9,VSP
					-----	LH,LH1,PX,QH,QH1,QHE,QMH,QN,QX,QXE,QXHQ,SH,SH1,SHE,SM11,SWX2,SX,SX1,SXC,SXC1,VTE5,VX,VX1,VX1M,VXE,VXEM
6	87532-ZH8-810	MARK, OIL ALERT(ENGLISH)	1	-	-----	PX,QX,QXE,QXEK,QXK,SWX2,SX1,SXC1,SXE1,VX1,VXE,VXK,VXU1
	87532-ZK7-800	MARK, OIL ALERT	1	-	-----	QEBR,QXBR
	87532-Z7E-010	.....	1	-	-----	QXHQ,VPXB



E-28

LABEL

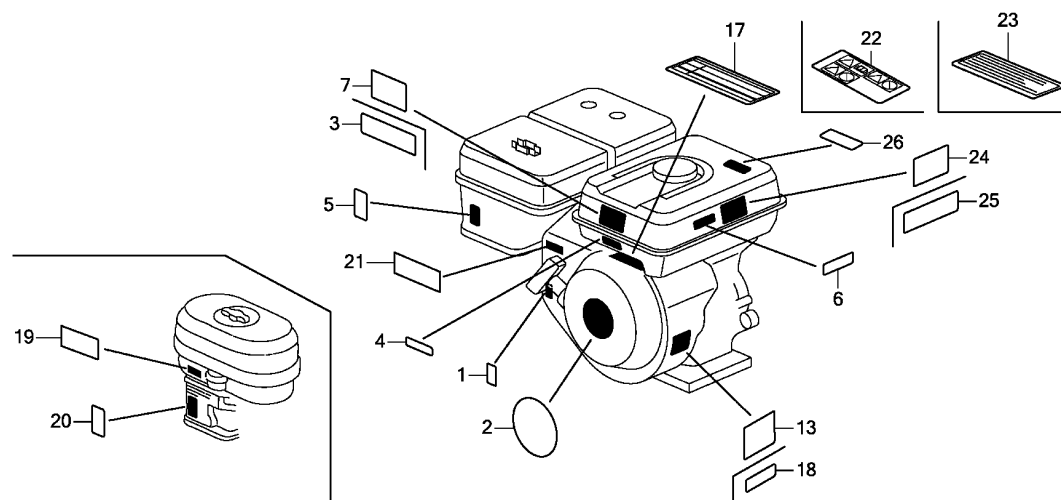


Z7E0E2800L

Ref. No.	Part No.	Description	Reqd. QTY		Serial No.	Parts catalogue code
			GX 390 H1	GX 390 H2		
(6)	87532-Z7E-000	MARK, OIL ALERT .....	1	-	0011784	SX,SXC,SXE,VPX4,VX
	87532-Z7E-010	.....	1	-	0011785	SX,SXC,SXE,VPX4,VX
7	87516-Z1V-800	MARK, OPERATOR CAUTION .....	1	-		LH2,SWE2,SWX2
	87519-Z4N-000	MARK, OPERATOR CAUTION (PICTOGRAPH)	1	-		QBE1,QEBR,QHB1,QHBR,QXBR,VSP
	87516-ZH7-000	MARK, OPERATOR CAUTION (ENGLISH)(MADE IN JAPAN)	1	-		VPX4
	87516-ZH7-810	MARK, OPERATOR CAUTION (PICTOGRAPH)(MADE IN JAPAN)	(1)	-		VPX4
	87516-ZCL-800	MARK, OPERATOR CAUTION(KOREA)	1	-		VXEK,VXKS
	87516-ZK6-810	MARK, OPERATOR CAUTION (CHINESE)(MADE IN CHINA)	1	-	0051202	LH,QH,SH,SHE,SM11,SX,SXC,SXE,VX
	87516-Z4N-000	MARK, OPERATOR CAUTION (ENGLISH)(MADE IN CHINA)	1	-	0053889	VSP
	87516-Z4N-810	MARK, OPERATOR CAUTION (PICTOGRAPH)(MADE IN CHINA)	(1)	-	0053889	VSP
13	87594-ZB4-A00	MARK, OIL CAUTION .....	1	1		EDF6,EDS1,EDS2,EDT1
17	87516-Z1V-800	MARK, OPERATOR CAUTION .....	1	1		ES2
	87516-ZK6-810	MARK, OPERATOR CAUTION (CHINESE)(MADE IN CHINA)	1	-		VPXB,VPXE,VPXJ,VPXK
			1	-	0051202	VPX4
	87516-ZCL-800	MARK, OPERATOR CAUTION(KOREA)	-	1		VXEK,VXKS
18	87532-ZH8-810	MARK, OIL ALERT(ENGLISH) .....	1	1		VPKK,VPXX,VX1M,VXEM
	87532-Z7E-010	MARK, OIL ALERT .....	1	-		VPXE,VPXJ,VPXK
			-	1		VPXB,VPXE,VPXK
19	87524-Z0S-801	MARK, AIR CLEANER CAUTION (OIL BATH)	1	1		SWE2,SWX2
	87524-Z0T-800	.....	1	-		QP
20	87528-ZH7-000	MARK, CHOKE(GRAY) .....	1	-		QBE1,QHB1

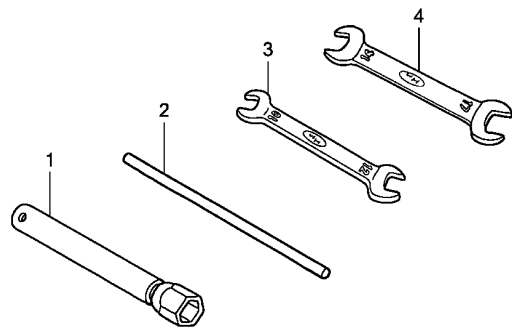
# E-28

# LABEL



Z7E0E2800L

Ref. No.	Part No.	Description	Reqd. QTY		Serial No.	Parts catalogue code
			GX 390 H1	GX 390 H2		
20)	87528-Z7E-000	MARK, CHOKE .....	1	-	----- QP,SWE2,SWX2	
21	87532-ZH7-000	MARK, THROTTLE INDICATION ...	1	-	----- LXE9,QBE1,QHB1	
22	87519-Z4N-000	MARK, OPERATOR CAUTION (PICTOGRAPH)	1	1	----- VPKK,VPXX	
23	87522-Z1T-G21	LABEL, CAUTION .....	1	-	----- VX1M,VXEM	
24	87516-Z1V-800	MARK, OPERATOR CAUTION .....	-	1	----- SWX2	
25	87522-Z1T-G21	LABEL, CAUTION .....	-	1	----- LH1,PX,QH1,QMH,QN,QX,QXE,SH1,SX1,SXC1,VX1,VX1M,VXE,VXEM	
26	87532-ZH8-810	MARK, OIL ALERT(ENGLISH) ....	-	1	----- PX,QX,QXE,SWX2,SX1,SXC1,VX1,VXE	
	87532-Z7E-010	MARK, OIL ALERT .....	-	1	----- QXHQ,SX,SXC,VX	



Z7E0E2900A

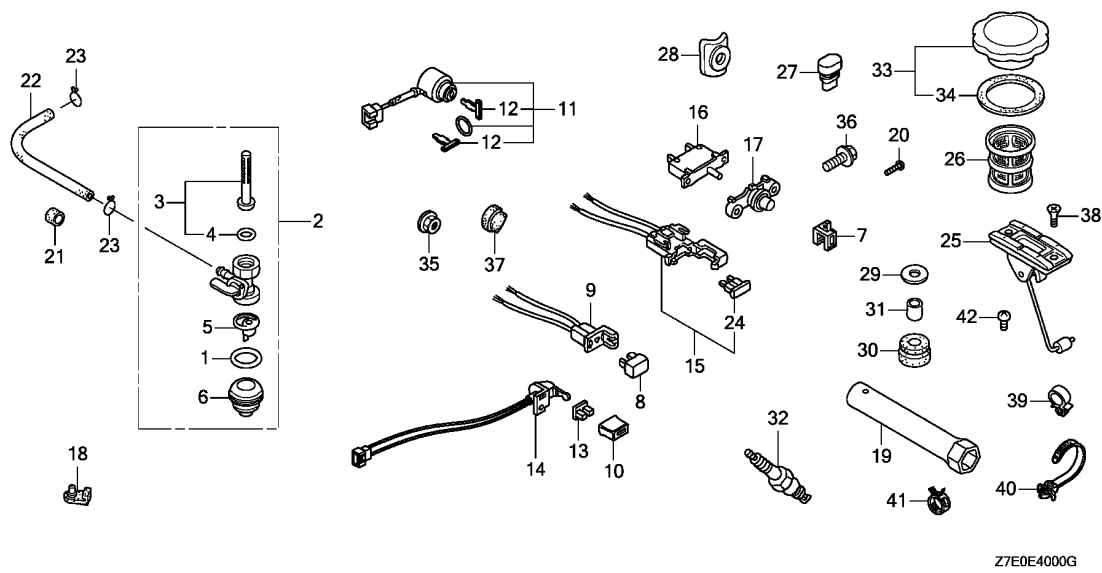
Ref. L.O.N. (Relative ref. Number) F.R.T.  
No. Description

NO INFORMATION .....

Ref. No.	Part No.	Description	Reqd. QTY		Serial No.	Parts catalogue code
			GX 390 H1	GX 390 H2		
1	89218-ZE1-000	WRENCH COMP., SPARK PLUG	1	1	-----	LHB5,LHP1,QA2,QHB3,QHB5,QHP1,QMH,QN,QP,SM11,SWX2,VPKK,VPXX,USB4
	99004-21002	WRENCH, BOX (P21)	1	-	-----	EDF6
2	89219-805-000	HANDLE, BOX WRENCH	1	1	-----	LHB5,LHP1,QHB3,QHB5,QHP1,QMH,QN,QP,SM11,SWX2,VPKK,VPXX,USB4
3	99001-10120	SPANNER, 10X12	1	1	-----	QN
4	99001-14170	SPANNER, 14X17	1	1	-----	QN

# E-40

# FUEL COCK/COMBINATION SWITCH



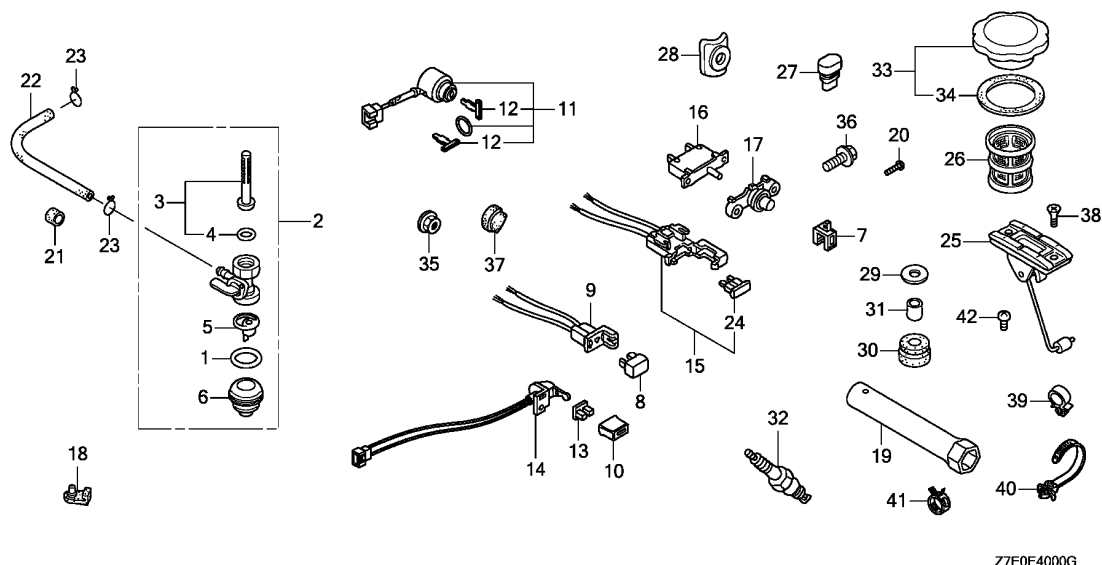
Ref. No.	L.O.N.	(Relative ref. Number) Description	F.R.T.
25	6171A1	METER/GAUGE UNIT, FUEL (34)	0.1
33	3101M7	CAP, FUEL FILLER	0.1

Ref. No.	Part No.	Description	Reqd. QTY		Serial No.	Parts catalogue code
			GX 390 H1	GX 390 H2		
1	16173-001-004	O-RING	1	1	EDS1,EDS2,EDT1,ES2,ES3S,ES4S,VMQ3,VMT3,VS4,VS6,VSB4	
2	16950-ZB4-015	COCK ASSY., FUEL	1	1	EDS1,EDS2,EDT1,ES2,ES3S,ES4S,VMQ3,VMT3,VS4,VS6,VSB4	
3	16952-ZB4-005	SCREEN SET, FUEL STRAINER	1	1	EDS1,EDS2,EDT1,ES2,ES3S,ES4S,VMQ3,VMT3,VS4,VS6,VSB4	
4	16958-397-771	O-RING, 9.0X1.3	1	1	EDS1,EDS2,EDT1,ES2,ES3S,ES4S,VMQ3,VMT3,VS4,VS6,VSB4	
5	16959-471-831	FILTER, CUP	1	1	EDS1,EDS2,EDT1,ES2,ES3S,ES4S,VMQ3,VMT3,VS4,VS6,VSB4	
6	16967-GA6-671	CUP, FUEL STRAINER	1	1	EDS1,EDS2,EDT1,ES2,ES3S,ES4S,VMQ3,VMT3,VS4,VS6,VSB4	
7	30561-ZB4-000	CLIP, WIRE	1	1	EDS1,EDS2,EDT1	
8	31700-124-008	RECTIFIER ASSY., SILICON (SHINDENGEN)	1	1	EDF6,EDS1,EDS2	
9	32130-ZE1-000	COUPLER COMP.	1	1	EDF6,EDS1,EDS2	
10	32343-892-003	KNOB, COCK LEVER	1	1	EDT1	
11	35100-ZB4-023	SWITCH ASSY., COMBINATION (HONDA LOCK)	1	1	EDF6,EDS1,EDS2,ES4S,VS6	
12	35111-880-013	KEY COMP.(HONDA LOCK)	2	2	EDF6,EDS1,EDS2,ES4S,VS6	
13	36106-892-003	BUSH, CONTROL KNOB	1	1	EDT1	
14	36110-ZB4-702	SWITCH ASSY., ENGINE KILL	1	1	EDT1	
15	38220-ZE1-000	CASE COMP., FUSE	1	1	EDF6,EDS1,EDS2	
16	38240-VA3-900	PROTECTOR, CIRCUIT(1.0A)	1	1	EDF6,EDS1,EDS2	
17	38250-898-000	LENS ASSY., PROTECTOR	1	1	EDF6,EDS1,EDS2	
18	50319-ZB2-000	RUBBER, TANK MOUNTING	2	2	EDS1,EDS2,EDT1,ES2,VMQ3,VMT3,VS4	
19	89216-ZB4-000	WRENCH, PLUG	1	1	EDS1,EDS2,EDT1,ES2,ES3S,ES4S,VMQ3,VMT3,VS4,VS6	
20	90101-692-000	SCREW, GLOVE BOX	1	1	EDS1,EDS2,EDT1	
21	90854-ZB2-000	RUBBER, FUEL(9X15X10)	1	-	EDS1,EDS2,EDT1,ES3S,ES4S	
22	95001-45150-40 (95001-45001-60M)	TUBE, FUEL, 4.5X150	1	1	EDS1,EDS2,EDT1,ES3S,ES4S	



# E-40

# FUEL COCK/COMBINATION SWITCH

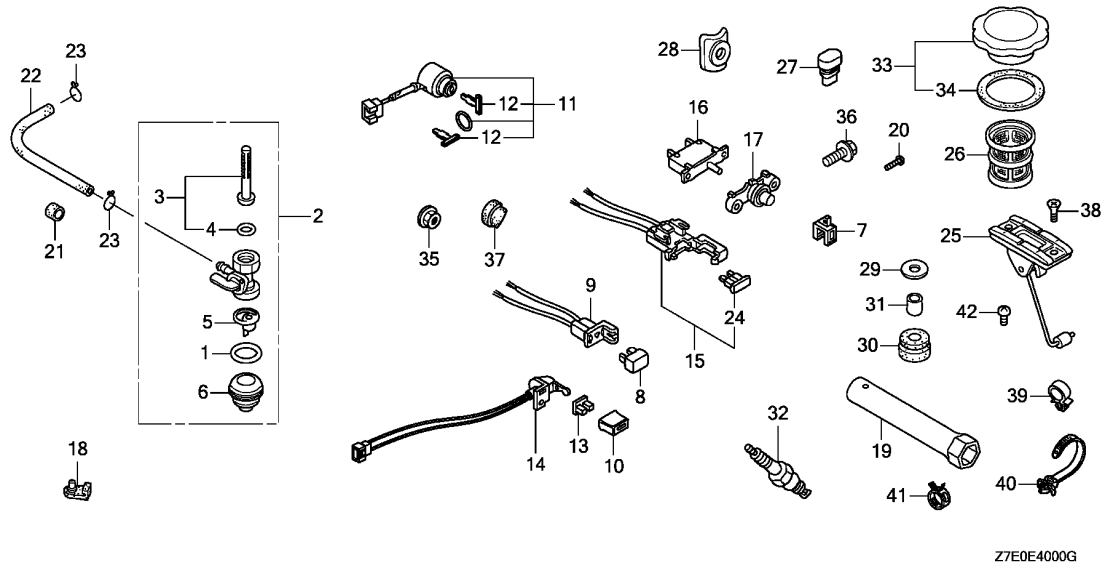


Z7E0E4000G

Ref. No.	Part No.	Description	Reqd. QTY		Serial No.	Parts catalogue code
			GX 390 H1	GX 390 H2		
23	95002-02080	CLIP, TUBE(B8) .....	2	2	-----	EDS1,EDS2,EDT1,ES3S,ES4S
24	98200-30500	FUSE, BLADE(5A) .....	1	1	-----	EDF6,EDS1,EDS2
25	17630-Z8V-003	METER ASSY., FUEL .....	1	1	-----	ES2,ES3S,ES4S,VMQ3,VMT3,VS4,VS6,USB4
26	17670-899-000	FILTER COMP., FUEL .....	1	1	-----	ES2,ES3S,ES4S,VS4,VS6,USB4
	17672-899-000	FILTER, FUEL .....	1	-	-----	VMQ3,VMT3
27	76122-952-000	STOPPER, DISCHARGE GUARD .....	4	-	-----	ES3S,ES4S,VS4,VS6
28	90501-898-000	WASHER, FRAME JOINT .....	8	-	-----	ES4S,VS6
29	90503-898-000	WASHER, TANK CUSHION .....	2	-	-----	ES2,USB4
			4	-	-----	ES3S,ES4S,VS4,VS6
			-	2	-----	ES2
30	90851-898-000	RUBBER, TANK CUSHION .....	2	-	-----	ES2,VMQ3,VMT3,USB4
			4	-	-----	ES3S,ES4S,VS4,VS6
			-	2	-----	ES2
31	91551-898-000	COLLAR, TANK CUSHION .....	2	-	-----	ES2,VMQ3,VMT3,USB4
			4	-	-----	ES3S,ES4S,VS4,VS6
			-	2	-----	ES2
32	98079-55846	PLUG, SPARK(BPR5ES)(NGK) .....	1	1	-----	ES2,ES3S,ES4S,VS4,VS6,USB4
	98079-56846	PLUG, SPARK(BPR6ES)(NGK) .....	1	1	-----	LHB5,QHB3,QHB5,SWX2
33	17620-899-800	CAP COMP., FUEL FILLER .....	1	1	-----	ES2,VMQ3,VMT3,VS4,VS6,USB4
	17620-899-013	.....	1	-	-----	ES3S,ES4S
34	17631-899-000	PACKING, FUEL FILLER CAP .....	1	1	-----	ES2,ES3S,ES4S,VMQ3,VMT3,VS4,VS6,USB4
35	94050-08000	NUT, FLANGE, 8MM .....	2	2	-----	VPKK,VPXB,VPXX
			5	5	-----	VPXE,VPXJ,VPXK
36	90013-883-000	BOLT, FLANGE, 6X12(CT200) .....	1	-	-----	VMT3
37	90855-ZB4-000	GROMMET, CRANKCASE .....	1	-	-----	VMQ3,VMT3
38	93600-05010-0A	SCREW, FLAT, 5X10 .....	2	-	-----	VMQ3,VMT3

# E-40

# FUEL COCK/COMBINATION SWITCH



Z7E0E4000G

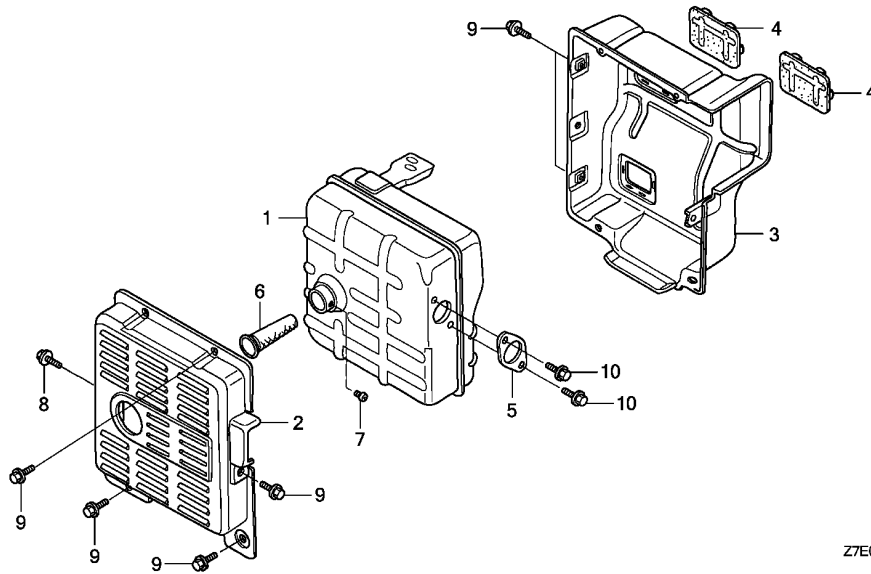
Ref. No.	Part No.	Description	Reqd. QTY		Serial No.	Parts catalogue code
			GX 390 H1	GX 390 H2		
39	90654-SA4-003	CLIP, WIRE HARNESS, 6MM(WHITE)	2	2	-----	VXEK,VXKS
40	90672-SAO-003	STRAP, CABLE, 118MM(BLACK) ..	1	1	-----	VPKK,VPXX,VXEK,VXKS
41	95002-40800-08	CLAMP, TUBE(D8) .....	1	1	-----	VPKK,VPXX
42	90050-ZE1-000	SCREW, TAPPING, 5X8 .....	-	2	-----	VPXE,VPXK





# E-40-1

# MUFFLER



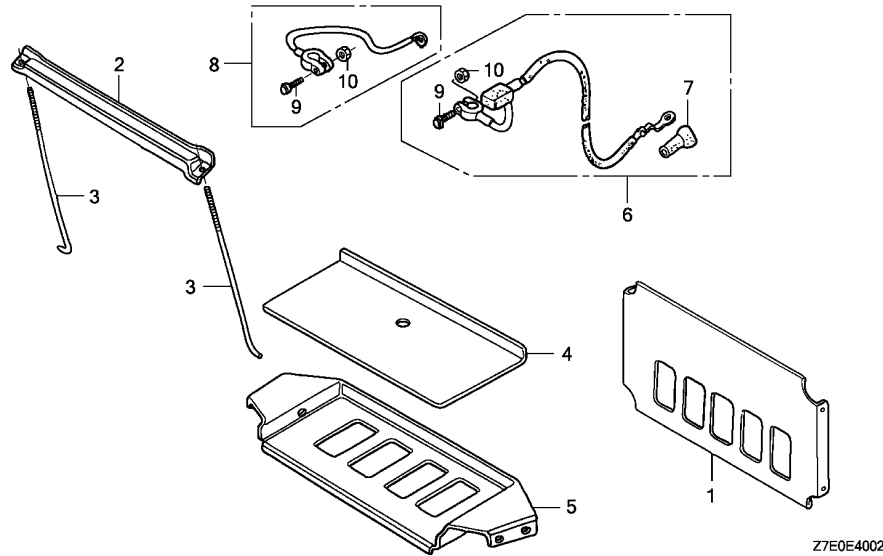
Z7E0E4001

Ref. No.	L.O.N.	(Relative ref. Number) Description	F.R.T.
1	3131C5	MUFFLER, EXHAUST .....	0.2
2	3131D9	PROTECTOR, EXHAUST MUFFLER : OUTER .....	0.1
3	3131D8	PROTECTOR, EXHAUST MUFFLER : INNER .....	0.2
4	3131G6	SEAL, MUFFLER PROTECTOR .....	0.2
5	3131B5	GASKET, EXHAUST PIPE .....	0.2
6	3131F9	ARRESTER, SPARK(A) .....	0.1
.INCLUDES: Spark arrester- inspection			

Ref. No.	Part No.	Description	Reqd. QTY		Serial No.	Parts catalogue code
			GX 390 H1	GX 390 H2		
1	18310-ZD1-E32	MUFFLER COMP. (SANKEI) .....	1	1	-----	EDS1,EDS2,EDT1,ES3S,ES4S
	18310-Z1C-842	MUFFLER COMP. ....	1	1	-----	ES2,VMQ3,VMT3,VS4
	18310-ZE2-V61	MUFFLER COMP. (TSURUMI) .....	1	-	-----	ES3S,ES4S
	18310-Z8W-V62	.....	1	-	-----	VS4,VS6
2	18320-ZC2-000	PROTECTOR, MUFFLER OUTER .....	1	1	-----	EDS1,EDS2,EDT1,ES2,ES3S,ES4S,VMQ3,VMT3,VS4,VS6,VS4
3	18325-ZB4-000	PROTECTOR, MUFFLER INNER .....	1	1	-----	EDS1,EDS2,EDT1,ES2,ES3S,ES4S,VMQ3,VMT3,VS4,VS6,VS4
4	18329-ZB4-000	SEAL, MUFFLER PROTECTOR .....	2	2	-----	EDS1,EDS2,EDT1,ES2,ES3S,ES4S,VMQ3,VMT3,VS4,VS6,VS4
5	18333-ZB4-801	GASKET, EX. PIPE .....	1	-	-----	EDF6,EDS2,ES2,VMQ3,VMT3,VS4,VS6,VS4
	18333-ZB4-800	.....	1	-	-----	EDS1,EDT1,ES3S,ES4S
	18333-Z7B-701	GASKET, EX. PIPE (NINGBO SIL GASKET) .....	1	-	-----	VPKK,VPX4,VPXE,VPXJ,VPXK,VPXX
	18333-ZB4-801	GASKET, EX. PIPE .....	-	1	-----	EDS1,EDS2,EDT1,ES2
6	18355-ZB4-630	ARRESTER, SPARK .....	1	1	-----	EDS1,EDS2,EDT1
7	90002-ZE2-U91	SCREW, TAPPING, 4X8 .....	1	1	-----	EDS1,EDS2,EDT1
8	95701-06010-00	BOLT, FLANGE, 6X10 .....	1	1	-----	EDS1,EDS2,EDT1,VMQ3,VMT3
9	95701-06012-00	BOLT, FLANGE, 6X12 .....	7	7	-----	EDS1,EDS2,EDT1
	95701-06010-00	BOLT, FLANGE, 6X10 .....	7	-	-----	VMQ3,VMT3
10	95701-08020-00	BOLT, FLANGE, 8X20 .....	2	2	-----	EDF6,EDS1,EDS2,EDT1,VMQ3,VMT3

# E-40-2

# BATTERY TRAY



Ref. L.O.N. (Relative ref. Number) F.R.T.  
No. Description

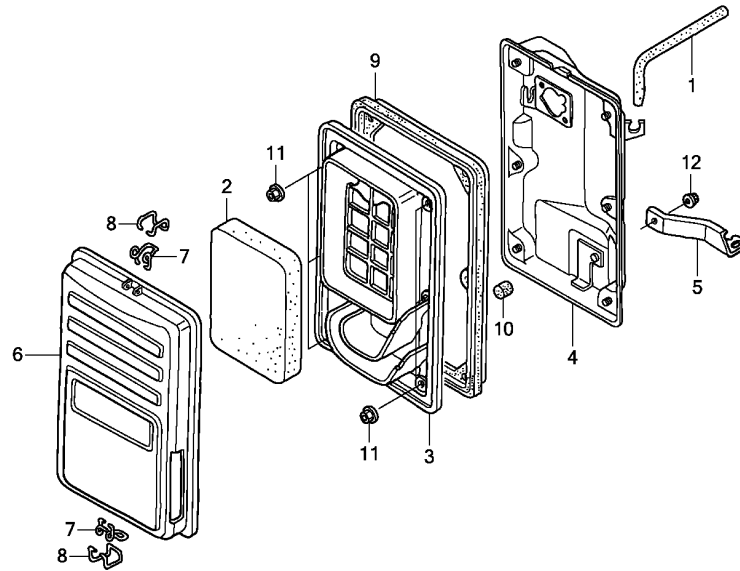
NO INFORMATION .....

Ref. No.	Part No.	Description	Reqd. QTY		Serial No.	Parts catalogue code
			GX 390 H1	GX 390 H2		
1	31511-ZB4-000	PLATE, BATTERY GUARD .....	1	-	----- ES4S,VS6	
2	31512-880-810	PLATE, BATTERY SETTING .....	1	-	----- ES4S,VS6	
3	31513-634-000	BOLT, BATTERY SETTING, 220MM .....	2	-	----- ES4S,VS6	
4	31521-880-000	PLATE, BATTERY .....	1	-	----- ES4S,VS6	
5	31550-899-000	BASE, BATTERY TRAY .....	1	-	----- ES4S,VS6	
6	32410-ZB4-620	CABLE ASSY., STARTING .....	1	-	----- ES4S,VS6	
7	32411-253-000	COVER, STARTER MOTOR TERMINAL .....	1	-	----- ES4S,VS6	
8	32430-ZB4-620	CABLE ASSY., EARTH .....	1	-	----- ES4S,VS6	
9	32601-SK7-900	BOLT, BATTERY TERMINAL .....	2	-	----- ES4S,VS6	
10	32602-SK7-900	NUT, BATTERY TERMINAL .....	2	-	----- ES4S,VS6	



# E-40-3

# AIR CLEANER



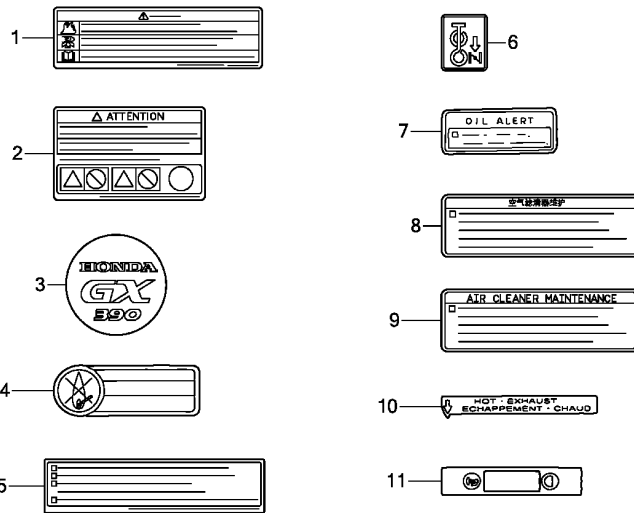
Z7E0E4003

Ref. No.	L.O.N.	(Relative ref. Number) Description	F.R.T.
1	1111K5	TUBE, BREATHER .....	0.1
2	3121B8	ELEMENT, AIR CLEANER .....	0.1
.INCLUDES: Air cleaner element -inspection			
3	3121F0	SEPARATOR, AIR CLEANER .....	0.1
4	3121A5	CASE, AIR CLEANER .....	0.2
9	3121E8	SEAL, AIR CLEANER CASE .....	0.1

Ref. No.	Part No.	Description	Reqd. QTY		Serial No.	Parts catalogue code
			GX 390 H1	GX 390 H2		
1	15721-ZB4-000	TUBE, BREATHER .....	1	-	-----	ES2,VMQ3,VMT3,VS4,VS6,VS6,VS6
2	17211-899-000	ELEMENT, AIR CLEANER .....	1	-	-----	ES2,VMQ3,VMT3,VS4,VS6,VS6,VS6
3	17212-ZB4-003	SEPARATOR, AIR CLEANER .....	1	-	-----	ES2,VMQ3,VMT3,VS4,VS6,VS6,VS6
4	17220-ZB4-003	CASE COMP., AIR CLEANER .....	1	-	0361369	ES2,VMQ3,VMT3,VS4,VS6,VS6,VS6
	17220-ZB4-013	.....	1	-	0361370	ES2,VMQ3,VMT3,VS4,VS6,VS6,VS6
5	17222-ZC2-000	STAY, AIR CLEANER .....	1	-	-----	ES2,VMQ3,VMT3,VS4,VS6,VS6,VS6
6	17231-899-000	COVER COMP., AIR CLEANER .....	1	-	-----	ES2,VMQ3,VMT3,VS4,VS6,VS6,VS6
7	17235-899-000	CLIP A, AIR CLEANER WIRE .....	2	-	-----	ES2,VMQ3,VMT3,VS4,VS6,VS6,VS6
8	17236-899-000	CLIP B, AIR CLEANER WIRE .....	2	-	-----	ES2,VMQ3,VMT3,VS4,VS6,VS6,VS6
9	17252-899-000	SEAL, AIR CLEANER .....	1	-	-----	ES2,VMQ3,VMT3,VS4,VS6,VS6,VS6
10	17367-413-690	FILTER, DRAIN TUBE .....	1	-	-----	ES2,VMQ3,VMT3,VS4,VS6,VS6,VS6
11	94050-05000	NUT, FLANGE, 5MM .....	6	-	-----	ES2,VMQ3,VMT3,VS4,VS6,VS6,VS6
12	94050-06000	NUT, FLANGE, 6MM .....	1	-	-----	VMQ3,VMT3

# E-40-4

# MARK



Ref. L.O.N. (Relative ref. Number) F.R.T.  
No. Description

NO INFORMATION .....

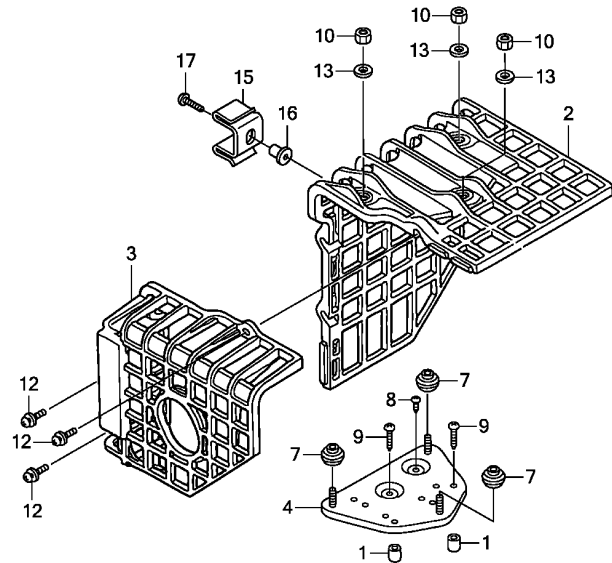
Z7E0E4004

Ref. No.	Part No.	Description	Reqd. QTY		Serial No.	Parts catalogue code	
			GX 390 H1	GX 390 H2			
1	87516-Z1T-800	MARK, OPERATOR CAUTION(KOREAN)	1	-	-----	VS4,VS6,VS4	
	87516-ZK6-810	MARK, OPERATOR CAUTION (CHINESE)(MADE IN CHINA)	1	-	-----	VSP	
2	87516-ZH7-800	MARK, OPERATOR CAUTION(FRENCH)(MADE IN JAPAN)	1	-	-----	0053888 VPX4	
	87516-Z4N-800	MARK, OPERATOR CAUTION(FRENCH)(MADE IN CHINA)	1	-	0053889	-----	VSP
3	87521-ZF6-W04	EMBLEM(HONDA GX390) .....	1	1	-----	ES2,ES3S,ES4S,VS4,VS6,VS4	
4	87522-883-660	MARK, CAUTION (ENGLISH/FRENCH/SPANISH)	1	1	-----	EDF6,EDS1,EDS2,EDT1	
5	87522-Z1T-G21	LABEL, CAUTION .....	1	1	-----	VTE5	
6	87528-898-620	MARK, CHOKE .....	1	1	-----	EDF6,EDS1,EDS2,EDT1,ES2,ES3S,ES4S,VMQ3,VMT3,VPKK,VPX4,VPXB,VPXE,VPXJ,VPXK,VPXX,VS4,VS6,VS4,VXEK,VXKS	
7	87532-ZH8-810	MARK, OIL ALERT(ENGLISH) ....	1	1	-----	VTE5	
8	87533-Z7E-800	MARK, AIR CLEANER(CHINESE) ..	1	-	-----	EDS2,VPXB,VPXE,VPXJ,VPXK	
			1	-	0010335	-----	EDS1,EDT1,VPX4
			-	1	-----	EDS1,EDS2,EDT1,VPXB,VPXE,VPXK	
9	87533-ZC0-630	MARK, AIR CLEANER(ENGLISH) ..	1	1	-----	EDF6,ES2,ES3S,ES4S,VMQ3,VMT3,VPKK,VPXX,VS4,VS6,VS4,VXEK,VXKS	
			(1)	(1)	-----	VPKK,VPX4,VPXB,VPXE,VPXJ,VPXK,VPXX,VXEK,VXKS	
			1	-	0010334	-----	EDS1,EDT1
10	87539-898-620	MARK, EX. CAUTION (ENGLISH/FRENCH)	1	1	-----	EDF6,EDS1,EDS2,EDT1,ES2,ES3S,ES4S,VMQ3,VMT3,VS4,VS6,VS4	
11	87565-ZB4-A00	PLATE, FUEL INDICATION .....	1	-	-----	VMQ3,VMT3	



# EOP-2

# MUFFLER COVER



Z7E0X0200B

Ref. L.O.N. (Relative ref. Number) F.R.T.  
No. Description

NO INFORMATION .....

Ref. No.	Part No.	Description	Reqd. QTY		Serial No.	Parts catalogue code
			GX 390 H1	GX 390 H2		
1	17233-896-701	COLLAR, AIR CLEANER CASE	(2)	-	-----	QHB1,VPKK,VPX4,VPXB,VPXE,VPXJ,VPXK,VPXX,VXEK,VXKS
2	18433-Z5T-000	COVER COMP., MUFFLER	(1)	-	-----	QHB1,VPKK,VPX4,VPXB,VPXE,VPXJ,VPXK,VPXX,VXEK,VXKS
3	18434-Z5T-000	COVER COMP., RR. MUFFLER	(1)	-	-----	QHB1,VPKK,VPX4,VPXB,VPXE,VPXJ,VPXK,VPXX,VXEK,VXKS
4	18436-ZH8-W41	BASE COMP., MUFFLER COVER	(1)	-	-----	QHB1,VPKK,VPX4,VPXB,VPXE,VPXJ,VPXK,VPXX,VXEK,VXKS
7	18466-ZH8-W40	SPACER, MUFFLER COVER	(3)	-	-----	QHB1,VPKK,VPX4,VPXB,VPXE,VPXJ,VPXK,VPXX,VXEK,VXKS
8	90050-ZE1-000	SCREW, TAPPING, 5X8	(1)	-	-----	QHB1,VPKK,VPX4,VPXB,VPXE,VPXJ,VPXK,VPXX,VXEK,VXKS
9	90050-ZH8-W40	SCREW, TAPPING, 5X25	(2)	-	-----	QHB1,VPKK,VPX4,VPXB,VPXE,VPXJ,VPXK,VPXX,VXEK,VXKS
10	90302-KF9-900	NUT, HEX., 5MM	(3)	-	-----	QHB1,VPKK,VPX4,VPXB,VPXE,VPXJ,VPXK,VPXX,VXEK,VXKS
12	93891-06020-07	SCREW-WASHER, 6X20	(3)	-	-----	QHB1,VPKK,VPX4,VPXB,VPXE,VPXJ,VPXK,VPXX,VXEK,VXKS
13	94103-05700	WASHER, PLAIN, 5MM	(3)	-	-----	QHB1,VPKK,VPX4,VPXB,VPXE,VPXJ,VPXK,VPXX,VXEK,VXKS
15	18437-Z5T-000	STAY, MUFFLER COVER	(1)	(1)	-----	ES2,QHB1,VPKK,VPX4,VPXB,VPXE,VPXJ,VPXK,VPXX,VS B4,VXEK,VXKS
16	19619-ZL8-300	COLLAR, FAN COVER	(1)	(1)	-----	ES2,QHB1,VPKK,VPX4,VPXB,VPXE,VPXJ,VPXK,VPXX,VS B4,VXEK,VXKS
17	90006-Z5T-000	SCREW, TAPPING, 6X25	(1)	(1)	-----	ES2,QHB1,VPKK,VPX4,VPXB,VPXE,VPXJ,VPXK,VPXX,VS B4,VXEK,VXKS

2

## PART NO. INDEX

Part Number	Page	Ref.	Part Number	Page	Ref.	Part Number	Page	Ref.	Part Number	Page	Ref.	Part Number	Page	Ref.
06000			12391-ZE2-020	29	7				15000			16100-Z7E-801	60	9
06160-Z7F-305	67	50				13104-Z7E-930	44	2				16100-Z7E-811	61	9
06160-Z7F-315	67	50	13000			13104-ZF6-W00	43	2	15600-735-003	35	4	16100-Z7E-821	61	9
06280-Z7E-305	52	20				13104-ZF6-W01	44	2	15600-Z0T-820	35	3	16100-Z7E-931	61	9
			13010-Z5R-004	41	1	13111-Z5T-000	44	3	15600-Z1C-000	35	4	16100-Z7E-941	65	8
						13111-Z7E-000	44	3	15600-Z1T-600	34	3	16100-Z7E-951	65	8
11000			13010-Z5T-003	41	1	13111-ZF6-W00	44	3				16100-Z7E-961	64	8
						13200-Z1C-000	45	4	15600-Z7E-000	35	4	16100-Z7E-D11	64	8
11300-Z1C-600	34	1	13010-Z7E-701	42	1	13200-Z1C-305	44	4				16100-Z7E-D21	64	8
11300-Z7E-000	34	1	13010-Z7E-931	43	1		45	4	15600-ZG4-003	35	3	16100-Z7E-W31	60	9
11300-Z7E-700	39	1	13010-ZF6-003	42	1	13200-Z7E-000	44	4	15620-Z7E-800	39	4	16100-Z7F-814	64	8
11300-Z7E-800	34	1	13010-ZF6-005	43	1		45	4	15625-Z0T-800	35	5	16100-ZF6-743	64	8
11300-Z7E-810	38	1	13011-Z5R-004	41	1	13200-Z7E-305	45	4				16100-ZF6-V41	64	8
11300-Z7E-P70	34	1				13200-ZE3-020	45	4				16100-ZF6-V42	64	8
11300-ZE3-040	34	1	13011-Z5T-003	41	1	13200-ZE3-315	45	4	15625-Z1T-000	35	5	16124-ZE0-005	61	10
11300-ZE3-604	34	1				13310-Z7E-000	40	1					65	9
11300-ZE3-P70	34	1	13011-Z7E-701	42	1	13310-Z7E-700	40	10	16141-Z0S-003	63	30	16510-ZE3-000	35	7
11315-ZE3-700	39	2	13011-Z7E-931	43	1	13310-Z7E-800	40	2	16148-Z7E-D81	63	10	16510-ZE8-000	35	8
11381-Z5T-000	34	2	13011-ZF6-003	43	1	13310-Z7E-810	40	3	15721-Z23-H60	30	19	16166-Z5T-901	61	11
			13011-ZF6-005	43	1	13310-Z7E-820	40	4	15721-ZB4-000	30	19	16166-Z7E-941	65	11
			13012-Z5R-004	41	1	13310-Z7E-830	40	11				16166-Z7E-951	65	11
11381-Z7E-701	39	3				13310-ZF6-W42	40	3				16166-ZF6-005	65	11
			13012-Z5T-003	42	1	13351-Z7E-000	40	5	16000			16166-ZF6-V00	61	11
						13351-ZE3-010	40	5	16010-Z7E-971	59	1	16166-ZF6-W20	61	11
11381-ZE3-801	34	2	13012-Z7E-701	42	1				16010-ZA0-921	64	1	16172-ZE3-W10	61	12
			13012-Z7E-931	43	1	14000			16010-ZE2-015	63	28	16173-001-004	61	13
			13012-ZF6-003	43	1	14100-Z7E-930	46	2	16010-ZE2-812	59	1		61	13
11500-Z7E-020	94	1	13012-ZF6-005	43	1	14100-ZF6-W01	46	2	16010-ZE3-701	64	1	16211-Z5T-000	61	14
11521-Z7B-701	94	2	13013-Z5R-004	41	1	14410-Z1C-000	46	3	16011-Z7E-701	63	29	16211-Z7E-000	61	14
11521-ZE2-800	94	2				14410-ZE3-013	46	3	16011-ZA0-931	59	2	16211-Z7E-700	65	13
			13013-Z5T-003	42	1	14431-ZE2-010	46	4				16211-ZBH-700	65	13
						14441-Z7E-000	46	5	16013-Z1C-003	59	3	16211-ZF6-000	61	14
12000			13013-Z7E-701	42	1				16013-Z7E-701	59	3	16211-ZF6-D40	65	13
			13013-Z7E-931	43	1	14441-ZE2-000	46	5	16013-ZA0-931	64	3	16212-Z5T-000	61	17
12000-Z5T-406	31	1	13013-ZF6-003	43	1	14451-Z7E-000	47	5	16015-Z7B-D11	64	4	16212-Z7E-701	61	17
12000-Z5T-407	31	1	13013-ZF6-005	43	1	14568-ZE1-000	47	7	16015-Z7E-971	60	4	16220-ZA0-702	61	15
12000-Z5T-408	31	1	13101-Z5T-000	43	2	14711-Z5T-900	47	8	16015-ZA0-931	64	4	16221-Z5T-000	61	16
12000-Z7E-405	31	1	13101-Z7E-800	43	2	14711-Z7E-000	47	8	16015-ZE8-005	59	4	16221-Z7E-701	61	16
12000-Z7E-406	31	1				14721-Z5T-800	47	9	16016-Z1E-V21	60	5	16221-Z5T-000	65	14
12000-Z7E-407	31	1	13101-Z7E-930	44	2	14721-Z5T-900	47	9				16221-Z7E-701	61	16
12000-Z7E-408	31	1	13101-ZF6-W00	43	2	14721-Z7E-000	47	9	16016-ZF6-005	60	5	16221-ZF6-800	61	16
12200-Z1C-406	28	1	13101-ZF6-W01	43	2	14721-ZE3-000	47	9	16016-ZF6-D40	67	48	16223-ZE3-W00	61	17
12200-Z7E-000	28	1				14721-ZE3-810	47	9	16016-ZH7-W01	60	5	16230-ZE3-702	67	45
12200-ZF6-406	28	1	13102-Z5T-000	43	2	14721-ZE3-810	47	9	16016-ZH8-W01	64	5	16260-Z7E-000	65	16
12204-Z7E-305	28	2	13102-Z7E-800	43	2	14751-Z1C-000	48	10	16024-124-760	64	6	16260-Z7E-800	65	16
12204-ZE2-306	28	2				14751-Z7E-000	48	10	16024-124-761	64	6	16260-ZE2-723	65	16
12205-Z7E-305	28	3	13102-Z7E-930	44	2	14751-ZE2-003	48	10	16024-Z5T-901	60	6	16260-ZE3-D22	65	16
12205-ZE2-305	28	3	13102-ZF6-W00	43	2	14771-ZE2-000	48	11	16024-ZE1-811	60	6	16261-ZE2-702	65	17
12209-Z7E-003	46	1	13102-ZF6-W01	43	2				16028-Z1T-WA1	60	7	16261-ZE2-711	65	18
12209-ZE8-003	46	1				14773-ZE2-000	48	12	16028-Z7E-E61	64	7	16262-ZE2-711	65	18
12210-Z7E-405	28	1	13103-Z5T-000	43	2	14775-ZE2-010	48	13	16028-ZA0-931	64	7	16263-Z7B-000	65	19
12216-ZE2-300	28	4	13103-Z7E-800	43	2	14781-Z7E-000	48	14	16028-ZE0-005	60	7	16263-ZA0-000	65	19
12251-Z1C-801	29	5				14781-ZE2-000	48	14	16044-Z5T-901	60	8	16263-ZA0-000	65	19
12251-Z5T-003	29	5	13103-Z7E-930	44	2	14791-Z7E-000	48	15	16044-ZE3-W20	60	8	16264-ZE2-701	65	20
12251-ZF6-W00	28	5	13103-ZF6-W00	43	2				16100-Z1C-V51	61	9			
			13103-ZF6-W01	43	2				16100-Z7E-701	61	9			
12251-ZF6-W01	28	5				14791-ZE2-010	48	15						
12310-ZE2-020	29	6	13104-Z5T-000	43	2									
12357-Z5T-020	29	13	13104-Z7E-800	43	2									



# PART NO. INDEX

Part Number	Page	Ref.	Part Number	Page	Ref.	Part Number	Page	Ref.	Part Number	Page	Ref.	Part Number	Page	Ref.
16592-883-310	89	14		73	3	18310-Z8W-V62	102	1	22000			28461-ZE2-W02	55	10
16594-883-010	89	15	17233-896-701	106	1	18310-ZD1-E32	102	1				28462-ZE2-003	51	11
16599-ZG1-M10	89	25	17233-Z23-H60	71	17	18310-ZE2-V61	102	1	22103-ZE3-610	94	3	28462-Z7E-701	51	11
16610-Z1T-000	61	18	17235-899-000	70	6	18310-ZE2-W61	74	1	22103-ZE3-W00	94	3		55	11
16611-ZE2-711	66	25		104	7	18310-ZE2-W62	74	1					55	11
16611-ZE3-D21	66	25	17235-Z7E-003	68	6	18320-Z5T-000	75	20	23000			28462-ZE3-W01	53	10
16613-893-000	66	26	17235-Z7E-930	73	4	18320-ZC2-000	102	2						
16615-893-000	66	27	17235-ZH9-N01	68	6	18320-ZE2-W61	74	2	23220-ZE3-610	94	4	30000		
16731-Z7E-000	57	1	17236-899-000	70	7	18320-ZE2-W62	74	2	23222-ZE3-W00	94	14			
16731-ZE2-003	57	1		104	8	18320-ZE2-W41	74	3	23710-ZE3-610	94	5	30500-Z7E-003	80	1
16851-Z7E-800	77	18	17238-Z7B-003	68	7	18323-ZE3-W40	74	3	23710-ZF6-Y30	94	5	30500-Z7E-601	81	12
16851-Z7E-810	77	18		69	7	18325-ZB4-000	102	3				30500-Z7E-701	81	12
16854-ZH8-000	76	1		73	5	18329-ZB4-000	102	4	28000				82	12
16910-GB2-005	77	14	17238-ZE2-310	69	7	18330-ZE2-W00	74	4				30500-Z7E-931	82	16
16950-ZB4-015	99	2		72	3	18330-ZE3-700	29	16	28400-Z7E-003ZA	50	1	30500-ZF6-W03	81	12
16952-ZB4-005	99	3	17238-ZE7-710	71	18	18330-ZE3-710	29	16	28400-Z7E-003ZB	50	1	30561-ZB4-000	99	7
16953-ZDK-003	62	19	17238-ZG9-M00	71	19	18331-Z5T-000	74	4	28400-Z7E-701ZA	52	14	30700-Z1T-003	80	2
16953-ZE1-812	62	19	17239-Z1T-601	69	8	18331-ZE3-811	74	5	28400-Z7E-701ZB	52	14	30700-Z1T-601	80	2
16954-ZE1-812	62	20		73	6	18331-ZE3-811	74	5	28400-Z7E-702ZA	54	1	30700-Z1T-701	80	2
16955-Z1T-010	76	2	17239-ZE1-000	69	8	18333-ZB4-800	102	5	28400-Z7E-702ZB	54	1		81	2
16956-ZE1-811	62	21		72	4	18333-ZB4-801	102	5	28400-ZE3-W01ZB	53	1	30700-ZE1-013	80	2
16957-ZE1-812	62	22	17252-899-000	70	8	18333-ZE3-800	75	13	28400-ZE3-W01ZP	53	1			
16958-397-771	99	4		104	9	18333-ZE3-801	75	13	28410-Z7E-003ZA	50	2	31000		
16959-471-831	99	5	17367-413-690	70	9	18333-ZF6-W01	30	17	28410-Z7E-003ZB	50	2			
16967-GA6-671	99	6		104	10		74	6	28410-Z7E-701ZA	50	2	31100-ZE3-701	78	4
16967-ZE0-811	62	23	17402-ZE3-810	72	5	18336-ZE3-000	75	21				31100-ZE3-722	79	5
			17410-Z7E-003	69	9	18350-Z5T-800	75	17	28410-Z7E-701ZB	50	2	31110-Z7E-602	78	4
17000			17410-Z7E-013	69	9	18355-ZB4-630	102	6				31110-Z7E-612	79	5
			17410-Z7E-930	73	7	18355-ZE2-W00	75	14	28410-ZE3-W01ZB	53	2	31110-Z7E-801	78	4
17210-Z7E-003	68	2	17410-ZE3-010	72	6	18355-ZE3-010	75	18	28410-ZE3-W01ZP	53	2	31110-Z7E-811	79	8
			17410-ZE3-020	72	6	18381-Z1C-801	75	7	28420-Z7E-003	50	3	31110-Z7E-821	79	5
17210-ZE3-010	68	2	17410-ZH9-N00	69	9	18381-Z8S-801	75	15	28420-Z7E-702	54	3	31110-Z7E-931	79	4
17211-899-000	70	1	17410-ZH9-N01	69	9	18381-ZE2-801	75	7	28421-ZE3-W01	53	3	31110-Z7E-941	79	8
			17417-Z5T-000	73	8	18381-ZE2-W10	75	15	28422-Z7E-701	52	15			
17212-ZB4-003	70	2	17417-Z7E-003	68	1	18433-Z5T-000	106	2				31110-Z7E-951	79	5
			17420-ZE3-810	72	7	18434-Z5T-000	106	3	28422-ZE2-W01	53	4	31161-ZE2-000	33	16
17218-ZE3-000	68	3	17510-Z5T-000ZA	76	3	18436-ZH8-W41	106	4	28422-ZH8-801	51	4	31200-Z7E-701	86	1
17220-Z23-S30	71	12	17510-Z5T-000ZB	76	3	18437-Z5T-000	106	15	28431-Z2E-003	55	5	31200-Z7E-931	86	1
17220-ZB4-003	70	3	17510-ZE3-030ZA	76	3	18466-ZH8-W40	106	7	28431-ZH8-801	51	5	31204-ZA0-003	83	1
			17510-ZE3-030ZB	76	3				28431-ZH8-801	51	5	31206-ZE3-003	83	2
17220-ZB4-013	70	3	17510-ZE3-801ZA	76	3	19000			28433-Z2E-003	51	6	31207-ZE3-003	83	3
			17510-ZE3-801ZC	76	3				28433-Z7E-702	55	6	31207-ZE3-003	83	3
17222-Z23-H60	70	4	17620-899-013	100	33	19511-Z7E-000	78	1	28441-Z2E-003	51	7	31208-ZE3-003	83	3
17222-ZC2-000	70	4	17620-899-800	100	33	19511-ZE3-000	78	1				31210-ZE3-023	83	4
			17620-Z1T-800	76	4	19610-Z5T-000ZA	57	2	28441-ZE2-W01	53	5	31210-ZE3-033	83	4
17223-Z23-000	71	13	17630-Z8V-003	100	25	19610-Z5T-000ZB	57	2	28442-Z7E-003	51	8	31210-Z7E-701	86	2
17223-ZBH-000	71	14	17631-899-000	100	34	19610-Z5T-800ZA	57	2				31211-Z7E-701	86	2
17228-Z5T-000	66	23	17631-Z1T-800	76	5	19610-Z5T-800ZC	57	2	28442-ZE2-W01	53	6	31211-ZE2-003	83	5
			17670-899-000	100	26	19610-Z7E-000ZA	57	2	28443-Z1T-701	52	18	31211-ZE2-003	83	5
17229-Z23-H60	71	15	17672-880-000	76	7	19610-Z7E-000ZB	57	2				31212-Z7E-701	86	3
17230-ZE3-811	72	2	17672-899-000	100	26	19610-Z7E-800ZA	57	2	28443-ZE2-W01	53	7	31212-ZE3-003	83	6
17231-899-000	70	5	17672-Z1T-000	76	6	19610-Z7E-800ZB	57	2	28443-ZH8-801	51	9	31212-Z7E-701	86	4
			17673-893-000	76	8	19610-ZE3-010ZL	57	2	28444-ZE2-W01	53	8	31213-ZE2-003	83	7
17231-Z7E-003	68	4	17850-ZD1-E30	91	2	19610-ZE3-W02ZF	57	2	28444-ZE2-W01	53	8	31213-ZE2-003	83	7
17231-Z7E-930	73	2							28450-Z7E-000	78	2	31214-Z7E-701	86	5
17231-ZBH-000	71	16	18000			19619-ZL8-300	106	16	28450-Z7E-701	79	9	31215-Z7E-701	86	6
17231-ZE3-W01	68	4				19631-Z5T-000	57	3	28450-Z7E-701	79	9	31215-ZE2-003	83	8
17232-891-000	68	5	18310-Z1C-842	102	1	19631-ZE3-W00	57	3	28451-Z7E-000	78	3	31215-ZE2-003	83	8
17232-Z1V-601	68	5	18310-Z7E-930	75	19				28451-Z7E-701	79	10	31217-Z7E-701	86	7
									28451-ZE3-W01	78	3	31218-Z7E-701	86	8
									28461-Z2E-003	51	10	31218-Z7E-701	86	8
												31218-ZE3-003	84	9
												31219-ZE2-003	84	10
												31219-ZE3-003	85	21
												31222-Z7E-701	86	9
												31222-ZE3-791	84	11
												31223-Z7E-701	87	10
												31224-Z7E-701	87	11
												31225-Z7E-701	87	12
												31226-Z7E-701	87	13
												31230-Z7E-701	87	14
												31231-ZE2-003	84	12
												31232-ZE3-003	84	13
												31233-ZE2-003	84	14
												31510-ZE1-003	82	13
												31510-ZE1-811	82	13
												31510-ZE2-811	82	14
												31511-Z7E-000	81	3
												31511-ZB4-000	103	1
												31511-ZE3-000	81	3
												31512-880-810	103	2
												31512-ZE2-000	81	4
												31513-634-000	103	3
												31521-880-000	103	4
												31550-899-000	103	5
												31610-Z5T-803ZA	92	1

# PART NO. INDEX

Part Number	Page Ref.	Part Number	Page Ref.	Part Number	Page Ref.	Part Number	Page Ref.	Part Number	Page Ref.	Part Number	Page Ref.
<b>35000</b>		<b>87000</b>		<b>88000</b>		90101-692-000	99 20		99 21	93892-05012-18	67 47
35100-Z5T-811	93 11	87114-ZH7-000	95 1	88911-MJ3-000	66 30	90107-959-003	94 6	90854-ZB3-000	77 15	93892-05032-18	85 18
35100-ZB4-023	99 11	87114-ZH7-840	95 1			90110-ZE2-003	84 15	90855-ZB4-000	100 37		
35100-ZE2-033	93 11	87516-Z1T-800	95 3	<b>89000</b>		90114-SAO-000	89 18			<b>94000</b>	
35111-880-013	93 12		105 1			90131-883-000	32 6	<b>91000</b>			
	99 12	87516-Z1V-800	96 7	89216-ZB4-000	99 19	90201-Z1T-601	69 11			94001-04390-0S	93 23
35120-Z0D-V81	57 4		96 7	89218-ZE1-000	98 1	90201-ZE3-V00	79 6	91001-Z7B-003	94 13	94050-05000	70 10
35120-Z0T-801	57 4		17	89219-805-000	98 2	90202-Z1T-000	89 18	91001-Z7E-003	37 18		104 11
35120-Z0T-851	58 7	87516-Z4N-000	96 7			90202-Z2E-000	73 10		38 19	94050-06000	67 49
35120-Z7E-931	58 10	87516-Z4N-800	105 2	<b>90000</b>		90203-ZA0-800	69 13		39 18		69 12
35480-Z7E-003	32 4	87516-Z4N-810	96 7			90206-ZE1-000	49 17	91001-ZF6-013	40 8		70 11
35480-ZF6-003	32 4	87516-ZCL-800	96 7	90001-Z7E-000	45 5	90302-KF9-900	106 10	91002-Z7E-003	40 8		72 10
35850-Z7E-701	87 16		96 7	90001-ZE8-000	45 5	90325-044-000	69 11	91009-KJ1-003	38 14		73 12
35851-Z7E-701	87 17	87516-ZH7-000	96 7	90002-ZE2-U91	102 7		72 9		94 9		89 23
35852-Z7E-701	87 18	87516-ZH7-800	105 2	90002-ZE2-U91	102 7		73 11	91201-Z1C-003	32 8		104 12
35853-Z7E-701	87 19	87516-ZH7-810	96 7	90003-ZH8-801	51 12	90380-MA6-010	93 17		37 14	94050-08000	30 18
35854-Z7E-701	87 20	87516-ZK6-810	95 3		55 12	90431-ZE2-700	66 31	91201-Z7B-003	94 10		75 12
			96 7	90004-Z5T-000	58 11	90432-ZE2-700	66 32	91201-Z7E-003	32 8		77 10
			96 7	90004-ZE2-W01	53 11	90433-ZE2-700	67 33		33 8		100 35
			17	90005-ZM3-000	71 20	90434-ZE2-700	67 34		37 14	94050-10000	33 11
<b>36000</b>			105 1	90006-Z5T-000	106 17	90441-ZE2-010	29 10		39 13	94070-06080	85 19
36100-ZF6-P82	58 7	87519-Z4N-000	96 7	90006-ZE2-000	75 8	90446-KE1-000	32 7	91201-ZE3-004	32 8	94101-04800	93 24
36101-ZE2-701	81 6		97 22	90007-ZE2-003	84 17	90446-Z7E-000	32 7		37 14	94101-06800	37 15
36101-ZE3-800	81 6	87521-ZF6-W04	95 2	90008-Z1T-000	51 13	90473-ZE3-010	94 7		33 9		38 15
36103-V42-000	81 7		105 3		53 12	90501-898-000	100 28	91203-Z7E-003	33 9		39 15
36103-ZE1-000	81 7	87522-883-660	105 4		56 13	90503-898-000	100 29	91301-805-000	39 14	94103-05000	67 36
36106-892-003	99 13	87522-Z1T-G21	95 3	90008-ZE2-003	53 12	90534-706-010	40 6	91353-671-004	33 10	94103-05700	106 13
36110-ZB4-702	99 14		97 23	90009-Z1C-000	69 10	90601-Z7E-000	67 37		77 9	94109-12000	33 12
36135-ZF6-D41	66 28		25		72 8	90601-ZE3-000	45 6	91353-Z7E-003	33 10	94111-04800	93 25
36160-ZB4-013	91 3		105 5		73 9	90602-Z7E-000	67 38		77 9	94251-10000	33 13
		87522-Z1T-J00	95 4	90009-ZE2-003	69 10	90602-ZE1-000	36 12		33 19	94301-08140	94 11
		87522-ZH9-010	95 3	90012-888-000	81 9		38 12	91406-166-000	33 19	94301-12200	29 12
		87524-Z0S-801	96 19		82 15		39 11	91406-ZE2-003	93 20	94305-20122	62 25
38220-ZE1-000	99 15	87524-Z0T-800	96 19	90012-ZE0-010	49 16	90603-Z7E-000	67 39	91424-Z4K-801	77 16	94540-02010	67 37
38240-VA3-900	93 13	87528-898-620	105 6	90013-883-000	32 5	90605-230-000	89 19	91424-Z4K-803	77 16	94540-04010	67 38
	99 16	87528-Z7E-000	95 5		58 6	90605-Z1T-000	89 19	91424-Z5L-802	77 11	94540-07010	67 39
38250-898-000	99 17		97 20		75 9	90630-751-000	82 18	91551-898-000	100 31		
38250-ZA8-701	93 14	87528-ZH7-000	95 5		81 8		93 18	91601-ZE2-003	84 16	<b>95000</b>	
			96 20		89 16	90650-S09-003	67 46				
		87529-Z4T-840	93 15		91 4	90654-SA4-003	58 9	<b>92000</b>		95001-45150-40	99 22
		87529-ZE2-812	93 15		93 16		101 39			95001-45165-40	77 18
50319-ZB2-000	99 18	87532-Z7E-000	96 6	90014-ZE2-000	29 8	90672-SAO-003	93 19	92101-08025-0A	40 9	95001-45235-40	77 11
		87532-Z7E-010	95 6	90014-ZE6-000	81 9		101 40	92900-08022-0E	29 11	95002-02070	67 40
			96 6	90015-883-000	81 10	90684-Z7E-000	81 11	92900-08032-0E	29 11	95002-02080	77 12
			18	90015-883-000	81 10	90684-ZA0-601	81 11				20
53149-964-003	66 29		97 26	90015-ZE5-010	89 17	90701-HC4-000	36 13	<b>93000</b>			22
		87532-ZH7-000	97 21	90016-ZG9-N30	89 26	90701-Z7E-000	36 13				100 23
		87532-ZH8-810	95 6	90017-883-000	81 9		38 13	93500-03006-1H	62 24	95002-40800-08	77 17
			96 18	90019-883-000	39 10		39 12	93500-03012-0H	93 21		21
68325-899-000	33 18		97 26	90042-ZE3-700	29 9	90741-805-000	40 7	93500-04006-0H	89 20		101 41
68325-ZC2-000	33 17		105 7	90042-ZE8-000	29 9		94 8	93500-04012-0H	93 22	95002-50000	77 22
		87532-ZK7-800	95 6	90042-ZK6-D70	29 9	90741-889-810	40 7	93500-05008-0A	91 5	95005-11105-30	29 13
		87533-Z7E-800	105 8	90050-ZE1-000	75 10		94 8	93500-05012-0A	67 35	95005-35075-10	67 41
		87533-ZC0-630	105 9		16	90741-ZE2-000	79 7	93500-05016-0A	89 21	95005-35130-10	67 42
		87539-898-620	105 10		101 42	90745-ZE2-600	40 7	93500-05032-0A	89 22	95701-06010-00	56 13
		87565-ZB4-A00	105 11		106 8	90745-ZK2-800	94 8	93500-05035-0A	90 30		102 8
		87594-ZB4-A00	96 13	90050-ZH8-W40	106 9	90802-Z6L-000	71 21	93500-05045-0A	90 27		9
				90055-ZE1-000	75 11	90851-898-000	100 30	93600-05010-0A	100 38	95701-06012-00	33 14
81329-567-020	58 5				16	90854-ZB2-000	77 19	93891-06020-07	106 12		102 9





# PART NO. INDEX

Part Number	Page	Ref.	Part Number	Page	Ref.	Part Number	Page	Ref.	Part Number	Page	Ref.	Part Number	Page	Ref.
95701-06032-08	71	22												
95701-08020-00	102	10	99101-ZH8-1080	67	43									
95701-08025-00	77	13	99204-ZA0-0400	63	27									
95701-08035-08	85	20	99204-ZA0-0450	63	27									
	87	21		67	44									
95701-08040-00	37	16	99204-ZE0-0380	63	27									
	38	16	99204-ZE0-0450	67	44									
	39	16												
	94	12												
95701-10080-00	29	14												
95725-10080-00	29	14												
96000														
96100-62020-00	33	15												
	37	17												
	38	17												
	39	17												
96100-62040-00	38	18												
96100-62060-00	94	13												
96100-62070-00	37	18												
	38	19												
	39	18												
98000														
98079-55846	29	15												
	100	32												
98079-55855	29	15												
98079-55876	29	15												
98079-56846	29	15												
	100	32												
98079-56855	29	15												
98200-30500	93	26												
	100	24												
99000														
99001-10120	98	3												
99001-14170	98	4												
99004-21002	98	1												
99101-ZDK-0920	67	43												
99101-ZDK-0980	67	43												
99101-ZDK-1000	63	26												
	67	43												
99101-ZDK-1050	63	26												
	67	43												
99101-ZDK-1080	63	26												
	67	43												
99101-ZH8-0880	63	26												
99101-ZH8-0900	62	26												
99101-ZH8-0920	63	26												
99101-ZH8-0950	63	26												
99101-ZH8-0980	67	43												
99101-ZH8-1000	63	26												
	67	43												
99101-ZH8-1020	63	26												
	67	43												
99101-ZH8-1050	63	26												

**3**

# PART NAME INDEX

Part name	Page	Ref.	Part name	Page	Ref.	Part name	Page	Ref.
[ A ]				91	4	CARBURETOR ASSY. ....	60	9
ALERT UNIT, OIL .....	31	3		93	16		61	9
	92	10		100	36		64	8
ARMATURE ASSY. ....	86	3	BOLT, FLANGE, 6X28 .....	81	10	CASE COMP., AIR CLEANER .....	70	3
ARMATURE COMP. ....	83	2	BOLT, FLANGE, 6X32 .....	71	22		71	12
ARM COMP., GOVERNOR .....	90	28		81	9		104	4
ARM, GOVERNOR .....	88	1	BOLT, FLANGE, 6X35 .....	81	9	CASE COMP., FUSE .....	99	15
ARM, VALVE ROCKER .....	46	4	BOLT, FLANGE, 6X40 .....	81	9	CASE COMP., RECOIL STARTER .....	50	2
ARRESTER COMP., SPARK .....	75	17		82	15		53	2
ARRESTER, SPARK .....	75	14	BOLT, FLANGE, 8X20 .....	102	10		54	2
		18	BOLT, FLANGE, 8X25 .....	77	13	CASE, CONTROL .....	92	3
	102	6		94	6	CHAMBER SET, FLOAT .....	59	4
[ B ]			BOLT, FLANGE, 8X35 .....	85	20		60	4
BAND .....	92	9		87	21		64	4
BARREL ASSY., CYLINDER .....	31	1	BOLT, FLANGE, 8X40 .....	37	16	CHOKE SET .....	60	8
BASE COMP., AIR CLEANER .....	71	14		38	16	CIRCLIP, 5MM .....	89	19
BASE COMP., CONTROL .....	89	12	BOLT, GOVERNOR ARM .....	89	17	CLAMPER, CORD .....	81	3
BASE COMP., MUFFLER COVER .....	106	4	BOLT, HEAD COVER .....	29	8	CLAMP, TUBE .....	77	17
BASE, BATTERY TRAY .....	103	5	BOLT, HEX., 8X25 .....	40	9			21
BEARING, BALL RADIAL, 6207SH2	40	8	BOLT, PIVOT, 8MM .....	49	16	CLIP A, AIR CLEANER WIRE .....	70	6
BEARING, RADIAL BALL, 6202 ...	33	15	BOLT, STUD, 8X106 .....	29	9		104	7
	37	17	BOLT, STUD, 8X115 .....	29	9	CLIP B, AIR CLEANER WIRE .....	70	7
	38	14	BOLT, STUD, 8X131.5 .....	29	9		104	8
		17	BOLT, STUD, 8X22 .....	29	11	CLIP, GOVERNOR HOLDER .....	36	12
	39	17	BOLT, STUD, 8X32 .....	29	11		38	12
	94	9	BOX ASSY., CONTROL .....	92	1		39	11
BEARING, RADIAL BALL, 6204 ...	38	18			2	CLIP, HARNESS .....	81	11
BEARING, RADIAL BALL, 6206 ...	94	13	BRACKET ASSY. ....	87	14	CLIP, PISTON PIN, 20MM .....	45	6
BEARING, RADIAL BALL, 6207 ...	37	18	BRACKET, CASE MOUNTING .....	92	4	CLIP, PURSE LOCK .....	82	18
	38	19	BRACKET, CENTER .....	83	5		93	18
	39	18	BRACKET, FR. ....	83	6	CLIP, TUBE .....	57	1
BEARING, RADIAL BALL, 6207SH .	40	8	BRUSH .....	83	8		67	40
BOARD ASSY., BRUSH .....	86	6	BUSH .....	83	8		77	12
BOLT-WASHER, 5X14 .....	84	17	BUSH, ARM PIVOT .....	66	29			20
BOLT-WASHER, 6X22 .....	69	10	BUSH, CONTROL KNOB .....	99	13			22
	72	8					100	23
	73	9	[ C ]			CLIP, VALVE GUIDE .....	28	4
BOLT KIT, FUEL CHAMBER .....	67	50	CABLE ASSY., EARTH .....	103	8	CLIP, WIRE .....	33	19
BOLT, BATTERY SETTING, 220MM .	103	3	CABLE ASSY., STARTER .....	87	15		99	7
BOLT, BATTERY TERMINAL .....	103	9	CABLE ASSY., STARTING .....	103	6	CLIP, WIRE HARNESS .....	67	46
BOLT, CONNECTING ROD .....	45	5	CAMSHAFT ASSY. ....	46	2	CLIP, WIRE HARNESS, 6MM .....	58	9
BOLT, DRAIN PLUG, 12X15 .....	32	6	CAP ASSY., NOISE SUPPRESSOR ...	80	2		101	39
BOLT, FLANGE, 10X80 .....	29	14		81	2	CLUTCH COMP., OVERRUNNING .....	83	3
BOLT, FLANGE, 5X10 .....	39	10	CAP ASSY., OIL FILLER .....	34	3	COCK ASSY., FUEL .....	99	2
BOLT, FLANGE, 5X18 .....	71	20		35	3	COIL ASSY., CHARGE .....	81	5
BOLT, FLANGE, 6X10 .....	51	13			4	COIL ASSY., IGNITION .....	80	1
	53	12			4		81	12
	56	13		38	3		82	12
	102	8			4		16	
		9	CAP COMP., AIR CLEANER .....	72	7	COIL ASSY., LAMP .....	82	13
BOLT, FLANGE, 6X12 .....	32	5	CAP COMP., FUEL FILLER .....	76	4			14
	33	14		100	33	COLLAR B, AIR CLEANER .....	69	8
	58	6	CAP, CHOKE DUST .....	65	10		72	4
	75	9	CAP, MUFFLER .....	74	5		73	6
	81	8	CAP, OIL FILLER .....	39	4	COLLAR, AIR CLEANER .....	68	7
	89	16	CAP, SEALING .....	71	21		69	7
							71	18



# PART NAME INDEX

Part name	Page	Ref.	Part name	Page	Ref.	Part name	Page	Ref.
		19	[ E ]			GOVERNOR ASSY. ....	35	7
	72	3					38	7
	73	5	ELBOW COMP., AIR CLEANER .....	69	9		39	5
COLLAR, AIR CLEANER CASE .....	106	1		72	6	GRIP, STARTER .....	51	10
COLLAR, FAN COVER .....	106	16		73	7		53	9
COLLAR, LEVER .....	67	34	ELEMENT COMP., AIR CLEANER .....	68	2		55	10
COLLAR, SETTING .....	61	12		73	1	GROMMET, AIR CLEANER .....	68	5
	65	12	ELEMENT, AIR CLEANER .....	68	2		73	3
COLLAR, STOPPER .....	89	25		70	1	GROMMET, CHOKE ROD .....	66	26
COLLAR, TANK CUSHION .....	100	31		104	2	GROMMET, CORD .....	81	4
CONE ASSY., NOSE .....	86	5	EMBLEM .....	95	2	GROMMET, CRANKCASE .....	100	37
CONTACTOR ASSY. ....	83	1		105	3	GROMMET, DRAIN HOLE .....	58	5
CONTROL ASSY. ....	88	5	E-RING, 2MM .....	67	37	GROMMET, FENDER .....	66	30
	89	5	E-RING, 4MM .....	67	38	GUIDE, CHOKE ROD .....	66	27
		6	E-RING, 7MM .....	67	39	GUIDE, EX. VALVE .....	28	3
		24				GUIDE, IN. VALVE .....	28	2
	90	29	[ F ]			GUIDE, PUSH ROD .....	48	15
		31					49	15
CORD, EARTH .....	33	16	FAN, COOLING .....	78	1	GUIDE, RATCHET .....	51	6
CORD, STOP SWITCH .....	81	6	FILTER COMP., FUEL .....	100	26		55	6
COUNTERSHAFT COMP. ....	94	4	FILTER, CUP .....	99	5			
COUPLER COMP. ....	99	9	FILTER, DRAIN TUBE .....	70	9	[ H ]		
COVER ASSY., CRANKCASE .....	34	1		104	10	HANDLE, BOX WRENCH .....	98	2
	38	1	FILTER, FUEL .....	76	6	HARNES ASSY., ENGINE WIRE .....	82	17
	39	1		100	26	HARNES, SUB WIRE .....	92	8
COVER ASSY., GEAR CASE .....	94	1	FILTER, OUTER .....	68	3	HEAD COMP., CYLINDER .....	28	1
COVER COMP., AIR CLEANER .....	70	5	FLANGE COMP., BAFFLE .....	75	21	HOLDER, BRUSH .....	84	12
	72	2	FLOAT SET .....	59	3	HOLDER, CABLE .....	89	10
	104	6		64	3	HOLDER, FUEL FILTER .....	76	8
COVER COMP., FAN .....	57	2	FLYWHEEL COMP. ....	78	4	HOLDER, GOVERNOR WEIGHT .....	35	9
COVER COMP., HEAD .....	29	6		79	4		36	9
COVER COMP., MUFFLER .....	106	2			5		38	9
COVER COMP., RR. MUFFLER .....	106	3	FUSE, BLADE .....	93	26		39	7
COVER, AIR CLEANER .....	68	4		100	24	HOLDER, STOP SWITCH CORD .....	81	7
	71	16	[ G ]			HOLDER, WIRE .....	89	15
	73	2				HOUSING ASSY. ....	86	2
COVER, DUCT .....	39	2	GASKET SET .....	59	1			
COVER, STARTER MOTOR TERMINAL	103	7		63	28	[ I ]		
CRANKSHAFT COMP. ....	40	1	GASKET, CYLINDER HEAD .....	64	1	INSULATOR .....	84	14
		2		28	5	INSULATOR, CARBURETOR .....	61	14
		3	GASKET, EX. PIPE .....	29	5		65	13
		4		30	17			
		10	GASKET, MUFFLER .....	74	6	[ J ]		
		11		75	13	JET SET, PILOT, #38 .....	63	27
CUP, FUEL STRAINER .....	62	23	GEAR A .....	87	10	JET SET, PILOT, #40 .....	63	27
	99	6	GEAR ASSY., DRIVE .....	86	4	JET SET, PILOT, #45 .....	63	27
			GEAR B .....	87	12		67	44
[ D ]			GEAR, COUNTER .....	94	14	JET, MAIN, #100 .....	63	26
DIAPHRAGM ASSY. ....	66	24	GEAR, DRIVE PINION .....	83	7	JET, MAIN, #102 .....	63	26
DOWEL PIN, 12X20 .....	29	12	GEAR, PRIMARY DRIVE .....	94	3	JET, MAIN, #105 .....	63	26
DOWEL PIN, 8X12 .....	36	13	GEAR, REDUCTION .....	84	11	JET, MAIN, #108 .....	63	26
	38	13					67	43
	39	12				JET, MAIN, #88 .....	63	26
DOWEL PIN, 8X14 .....	94	11					67	43
							63	26

# PART NAME INDEX

Part name	Page	Ref.	Part name	Page	Ref.	Part name	Page	Ref.
JET, MAIN, #90 .....	62	26			24	O-RING, 9.0X1.3 .....	99	4
JET, MAIN, #92 .....	63	26		105	1			
	67	43			2			
JET, MAIN, #95 .....	63	26	MARK, THROTTLE INDICATION .....		97	[ P ]		
JET, MAIN, #98 .....	67	43	METER ASSY., FUEL .....	100	25	PACKING .....	84	16
JOINT, FUEL TANK .....	76	2	MOTOR ASSY., STARTER .....	86	1	PACKING, AIR CLEANER .....	66	23
JOINT, ROD .....	65	19	MOTOR UNIT, STARTER .....	83	4	PACKING, AIR CLEANER CASE .....	67	51
			MUFFLER COMP. ....	74	1	PACKING, AIR CLEANER ELBOW .....	73	8
[ K ]				75	19	PACKING, AIR CLEANER ELBOW .....	68	1
KEY COMP. ....	93	12		102	1	PACKING, CARBURETOR .....	61	16
	99	12	[ N ]			PACKING, CARBURETOR INSULATOR .....	65	14
KEY, 6.3X6.3X33 .....	94	8				PACKING, CARBURETOR INSULATOR .....	61	17
KEY, 6.3X6.3X43 .....	40	7	NOSE, SILENCER .....	68	6	PACKING, CASE COVER .....	65	15
KEY, 7X7X33 .....	40	7		73	4	PACKING, CASE COVER .....	34	2
	94	8	NOZZLE, MAIN .....	61	11		38	2
KEY, SPECIAL WOODRUFF, 25X18 .....	79	7		65	11	PACKING, CHAIN CASE COVER .....	39	3
KNOB, COCK LEVER .....	99	10	NUT-WASHER, 6MM .....	85	19	PACKING, CHAIN CASE COVER .....	94	2
			NUT, AIR CLEANER COVER .....	73	10	PACKING, CRANKCASE COVER .....	34	2
[ L ]			NUT, BATTERY TERMINAL .....	103	10	PACKING, CRANKCASE COVER .....	38	2
LABEL, CAUTION .....	95	3	NUT, FLANGE, 10MM .....	33	11	PACKING, ELBOW .....	39	3
		4	NUT, FLANGE, 5MM .....	70	10	PACKING, ELBOW .....	68	1
	97	23		104	11	PACKING, ELBOW .....	72	1
		25	NUT, FLANGE, 6MM .....	67	49	PACKING, FUEL COCK .....	62	22
	105	5		69	12	PACKING, FUEL FILLER CAP .....	76	5
LABEL, WARNING .....	95	1		70	11	PACKING, FUEL FILLER CAP .....	100	34
LENS ASSY., PROTECTOR .....	93	14		72	10	PACKING, HEAD COVER .....	29	7
	99	17		73	12	PACKING, HEAD COVER .....	61	17
LEVER COMP., CHOKE .....	61	18		89	23	PACKING, INSULATOR .....	65	15
LEVER COMP., THROTTLE .....	91	2	NUT, FLANGE, 8MM .....	104	12	PACKING, INSULATOR .....	35	5
LEVER, CHOKE .....	65	18		30	18		38	5
LEVER, COCK .....	62	19		75	12			6
LEVER, CONTROL .....	89	7		77	10	PANEL COMP., CONTROL .....	92	5
LIFTER, VALVE .....	46	5	NUT, HEX., 4MM .....	100	35	PAN, CLEANER OIL .....	72	5
	47	5	NUT, HEX., 5MM .....	93	23	PAN, CLEANER OIL .....	36	10
			NUT, HEX., 6MM .....	106	10	PIN, GOVERNOR WEIGHT .....	38	10
[ M ]				87	17	PIN, GOVERNOR WEIGHT .....	39	8
MARK, AIR CLEANER .....	105	8	NUT, PIVOT ADJUSTING .....	49	20	PIN, LOCK, 10MM .....	33	13
		9	NUT, SELF-LOCK, 6MM .....	89	17	PIN, PISTON .....	44	3
MARK, AIR CLEANER CAUTION .....	96	19	NUT, SPECIAL, 16MM .....	79	18	PIN, SPRING, 2X12 .....	62	25
MARK, CAUTION .....	105	4	NUT, TOOL BOX SETTING .....	79	6	PIPE, EX. ....	29	16
MARK, CHOKE .....	95	5		69	11		74	4
	96	20	NUT, WING, 6MM .....	72	9	PISTON .....	43	2
	97	20		73	11		44	2
	105	6	[ O ]	69	13	PIVOT, ROCKER ARM .....	47	6
MARK, CONTROL BOX .....	93	15				PLATE, BATTERY .....	103	4
MARK, EX. CAUTION .....	105	10	OIL SEAL, 30X46X8 .....	94	10	PLATE, BATTERY GUARD .....	103	1
MARK, OIL ALERT .....	95	6	OIL SEAL, 35X52X8 .....	32	8	PLATE, BATTERY SETTING .....	103	2
	96	6		33	8	PLATE, FRICTION .....	51	5
		18		37	14	PLATE, FRICTION .....	55	5
	97	26		39	13	PLATE, FUEL INDICATION .....	105	11
	105	7	OIL SEAL, 8X14X5 .....	33	9	PLATE, LEVER SETTING .....	62	20
MARK, OIL CAUTION .....	96	13	O-RING .....	61	13	PLUG, SPARK .....	29	15
MARK, OPERATOR CAUTION .....	95	3		99	1	PROTECTOR COMP., MUFFLER .....	100	32
	96	7	O-RING, 14MM .....	33	10	PROTECTOR COMP., MUFFLER .....	74	2
		17		77	9	PROTECTOR, CIRCUIT .....	75	20
	97	22	O-RING, 26X2.7 .....	39	14	PROTECTOR, CIRCUIT .....	93	13
						PROTECTOR, EX. PIPE .....	99	16
						PROTECTOR, EX. PIPE .....	74	3

# PART NAME INDEX

Part name	Page	Ref.	Part name	Page	Ref.	Part name	Page	Ref.
PROTECTOR, MUFFLER INNER .....	102	3				SPRING, BRUSH RETURN.....	84	10
PROTECTOR, MUFFLER OUTER .....	102	2		67	48	SPRING, CABLE RETURN.....	89	14
PULLEY COMP., STARTER .....	78	2	SCREW SET, DRAIN .....	60	6	SPRING, CHOKE RETURN.....	91	1
	79	9		64	6	SPRING, COCK LEVER .....	62	21
PULLEY, RECOIL STARTER .....	53	3	SCREW SET, PILOT .....	60	5	SPRING, CONTROL ADJUSTING.....	89	13
PULLEY, STARTER .....	78	3	SCREW, CENTER .....	53	11	SPRING, FRICTION.....	51	7
	79	10	SCREW, FLAT, 5X10.....	100	38		53	5
			SCREW, GLOVE BOX .....	99	20		55	7
[ R ]			SCREW, PAN, 3X12 .....	93	21	SPRING, GOVERNOR.....	88	3
RATCHET, STARTER .....	51	4	SCREW, PAN, 3X6 .....	62	24	SPRING, LEVER .....	89	8
	52	15	SCREW, PAN, 4X12 .....	93	22	SPRING, MANUAL CHOKE.....	66	22
	53	4	SCREW, PAN, 4X6 .....	89	20	SPRING, RATCHET .....	53	7
	55	4	SCREW, PAN, 5X12 .....	67	35	SPRING, RECOIL STARTER .....	51	8
RECTIFIER ASSY., SILICON .....	92	6	SCREW, PAN, 5X16 .....	89	21		55	8
	99	8	SCREW, PAN, 5X32 .....	89	22	SPRING, RETURN .....	51	9
REEL, RECOIL STARTER .....	50	3	SCREW, PAN, 5X35 .....	90	30		52	18
	54	3	SCREW, PAN, 5X45 .....	90	27		55	9
RETAINER, EX. VALVE SPRING ...	48	12	SCREW, PAN, 5X8 .....	91	5	SPRING, STARTER RETURN.....	53	6
RETAINER, IN. VALVE SPRING ...	48	11	SCREW, RECESSED, 5X25.....	89	26	SPRING, THROTTLE RETURN.....	88	4
		12	SCREW, SETTING .....	51	12	SPRING, VALVE .....	48	10
		8		55	12	SPRING, WEIGHT RETURN.....	47	7
RETAINER, SPRING .....	53	8	SCREW, SPECIAL, 6X12 .....	93	17	STARTER ASSY., RECOIL.....	50	1
RING SET, PISTON .....	41	1	SCREW, TAPPING, 3X6 .....	58	11		52	14
	42	1	SCREW, TAPPING, 4X6 .....	75	11		53	1
	43	1			16		54	1
RING, RETAINER .....	86	9	SCREW, TAPPING, 4X8 .....	102	7	STARTER SET, RECOIL.....	52	20
ROD ASSY., CONNECTING .....	44	4	SCREW, TAPPING, 5X25 .....	106	9	STAY ASSY., MANUAL CHOKE.....	65	16
	45	4	SCREW, TAPPING, 5X8 .....	75	10	STAY COMP., SOLENOID.....	65	17
ROD, CHOKE .....	65	20			16	STAY, AIR CLEANER.....	70	4
ROD, CHOKE CONTROL .....	66	25			101		104	5
ROD, GOVERNOR .....	88	2	SCREW, TAPPING, 6X10 .....	75	8	STAY, MUFFLER COVER.....	106	15
ROD, PUSH .....	46	3	SCREW, TAPPING, 6X25 .....	106	17	STOPPER, CHOKE ROD.....	65	21
ROPE, RECOIL STARTER .....	51	11	SCREW, THROTTLE STOP .....	61	10		66	21
	53	10			65	STOPPER, DISCHARGE GUARD.....	100	27
	55	11	SEAL, AIR CLEANER .....	70	8	STRAINER COMP., FUEL.....	77	14
ROTATOR, VALVE .....	48	14		104	9	STRAP, CABLE, 118MM.....	93	19
RUBBER, BOTTOM .....	33	17	SEAL, AIR CLEANER CASE .....	71	15		101	40
		18	SEAL, AIR CLEANER COVER .....	71	17	SUB HARNESS .....	58	8
RUBBER, FUEL .....	77	15	SEAL, CHOKE LEVER .....	66	32	SUSPENSION, COUPLER.....	92	7
		19	SEAL, MUFFLER PROTECTOR .....	102	4	SWITCH ASSY., COMBINATION.....	93	11
		21	SEAL, VALVE STEM .....	46	1		99	11
RUBBER, SUPPORTER .....	76	1	SEAT, VALVE SPRING .....	48	13	SWITCH ASSY., ENGINE KILL.....	99	14
RUBBER, TANK CUSHION .....	100	30	SEPARATOR, AIR CLEANER .....	70	2	SWITCH ASSY., ENGINE STOP.....	57	4
RUBBER, TANK MOUNTING .....	99	18		104	3		58	7
			SHAFT, GOVERNOR ARM .....	31	2		10	10
[ S ]			SHAFT, P.T.O. ....	94	5	SWITCH ASSY., OIL LEVEL.....	32	4
SCREEN SET, FUEL STRAINER .....	99	3	SHROUD .....	57	3	SWITCH ASSY., STARTER MAGNETIC	87	16
SCREW-WASHER, 4X14 .....	85	21	SLIDER, GOVERNOR .....	36	11			
SCREW-WASHER, 4X6 .....	84	15		38	11	[ T ]		
SCREW-WASHER, 5X12 .....	67	47	SOLENOID ASSY. ....	91	3	TANK COMP., FUEL.....	76	3
SCREW-WASHER, 5X32 .....	85	18	SPACER COMP., CARBURETOR .....	61	15	TUBE, 11X105.....	29	13
SCREW-WASHER, 6X20 .....	106	12		67	51	TUBE, 3.5X130.....	67	42
SCREW A .....	86	7	SPACER, CONTROL LEVER .....	89	11	TUBE, 3.5X75.....	67	41
SCREW B .....	86	8	SPACER, MUFFLER COVER .....	106	7	TUBE, BREATHER .....	29	13
SCREW C .....	87	13	SPANNER, 10X12 .....	98	3		30	19
SCREW SET .....	60	5	SPANNER, 14X17 .....	98	4		104	1
		7	SPRING, AIR CLEANER CASE LID ..	71	13	TUBE, FASTENER, 30MM.....	93	20
	64	5						

# PART NAME INDEX

Part name	Page	Ref.	Part name	Page	Ref.	Part name	Page	Ref.
TUBE, FUEL, 4.5X150 .....	77	18						
	99	22						
TUBE, FUEL, 4.5X165 .....	77	18						
TUBE, FUEL, 4.5X180 .....	77	16						
TUBE, FUEL, 4.5X235 .....	77	11						
TUBE, FUEL, 4.5X250 .....	77	18						
[ V ]								
VALVE ASSY., SOLENOID .....	67	45						
VALVE SET, FLOAT .....	59	2						
	63	29						
	64	2						
VALVE, DASHPOT CHECK .....	66	28						
VALVE, EX. ....	47	9						
VALVE, IN. ....	47	8						
[ W ]								
WASHER .....	87	11						
		18						
WASHER COMP., HEAD COVER .....	29	10						
WASHER, 8.2X17X0.8 .....	32	7						
WASHER, 8.5X42X4.5 .....	94	7						
WASHER, CHOKE LEVER .....	66	31						
WASHER, CONTROL LEVER .....	89	9						
WASHER, DRAIN PLUG, 12MM .....	33	12						
WASHER, FRAME JOINT .....	100	28						
WASHER, LOCK, 8.5X35X4.5 .....	40	6						
WASHER, PLAIN .....	63	30						
WASHER, PLAIN, 4MM .....	93	24						
WASHER, PLAIN, 5MM .....	67	36						
	106	13						
WASHER, PLAIN, 6MM .....	37	15						
	38	15						
	39	15						
WASHER, SPRING, 4MM .....	93	25						
WASHER, SPRING, 6MM .....	87	19						
WASHER, TANK CUSHION .....	100	29						
WASHER, THRUST, 2.7X8 .....	67	33						
WEIGHT, BALANCER .....	40	5						
WEIGHT, GOVERNOR .....	35	8						
	38	8						
	39	6						
WIRE, WATER COVER .....	84	13						
WRENCH COMP., SPARK PLUG .....	98	1						
WRENCH, BOX .....	98	1						
WRENCH, PLUG .....	99	19						
[ Y ]								
YOKE COMP. ....	84	9						

---

**1**

**FOREWORD INDEX**

---

**2**

**ENGINE GROUP**

---

**3**

**PART NUMBER INDEX**

---

**4**

**PART NAME INDEX**

---

**HONDA**



# HONDA PARTS CATALOGUE NEWS

## PARTS CATALOGUE - CORRECTED

CODE NO.	13Z7E803
PARTS CATALOGUE NEWS	GX390H1 GX390H2
NEWS NO.	001

Block No.	Ref. No.	Note	Part No.	Description	Reqd. QTY		Serial No.	Parts catalogue code
					GX 390 H1	GX 390 H2		
E-14-1	16	T	16260-27E-000	STAY ASSY., MANUAL CHOKE.....	1	-	-----	EDF6, EDS2, VPKK, VPXB, VPXE, VPXJ, VPXK, VPXX, VXEK, VXKS
					1	-	0002757	EDT1
		T	16260-27E-800	.....	-	1	-----	EDS1, EDS2, EDT1, ES2, VPKK, VPXB, VPXE, VPXK, VPXX, VXEK, VXKS
					1	-	-----	ES2, ES3S, ES4S, VMQ3, VMT3, VS4, VS6, VSB4
			1	-	0000671	EDS1		
E-17	18	E	95001-45165-40	*PART NO. DELETION				
		D	95001-45210-40	TUBE, FUEL, 4.5X210 (95001-45001-60M)	1	-	-----	EDF6
E-22	3	T	16561-ZE3-000	SPRING, GOVERNOR (L=137.5MM)...	1	-	-----	EDS1, EDS2, EDT1, ES2, ES3S, ES4S, LH, LH1, LH2, LHB5, LHP1, LXE9, PXQA2, QBE1, QEBR, QH, QH1, QHB1, QHB3, QHB5, QHBR, QHE, QHP1, QMH, QN, QPQX, QXBR, QXE, QXEK, QXHQ, QXK, SH, SH1, SHE, SM11, SWE2, SWX2, SX, SXC1, SXC, SXC1, SXE, SXE1, VMQ3, VMT3, VS4, VS6, VSB4, VTE5
					-	1	-----	LH, LH1, PX, QH, QH1, QHE, QMH, QN, QX, QXE, QXHQ, SH, SH1, SHE, SM11, SWX2, SX, SX1, SXC, SXC1, VTE5, VX, VX1, VX1M, VXE, VXEM
		T	16561-ZF6-W32	SPRING, GOVERNOR.....	1	-	-----	VX, VX1, VX1M, VXE, VXEM
E-40	17	T	38250-898-000	LENS ASSY., PROTECTOR.....	1	1	-----	EDS1, EDS2
E-40-4	4	T	87522-883-660	MARK, CAUTION (ENGLISH/FRENCH/SPANISH)	1	1	-----	EDS1, EDS2, EDT1

NOTE A:PART NO. CHANGE D:NEWLY PROVIDED E:PART NO. DELETION K:REQUIRED NO. CORRECTION L:APPLICATION SERIAL NO. CORRECTION  
M:PART DESCRIPTION CORRECTION T:APPLICATION CORRECTION Z:REMARKS CHANGE

# HONDA PARTS CATALOGUE NEWS

## PARTS CATALOGUE - CORRECTED

CODE NO.	13Z7E803
PARTS CATALOGUE NEWS	GX390H1 GX390H2
NEWS NO.	002

Block No.	Ref. No.	Note	Part No.	Description	Reqd. QTY		Serial No.	Parts catalogue code
					GX 390 H1	GX 390 H2		
E-14	17	T	16212-Z7E-701	PACKING, INSULATOR (NINGBO SIL GASKET)	1	-	-----	LH, LH1, LH2, LHB5, LHP1, LXE9, PX, QA2, QBE1, QEBR, QH, QH1, QHB1, QHB3, QHB5, QHBR, QHE, QHP1, QMH, QN, QP, QX, QXBR, QXE, QXEK, QXHQ, QXK, SH, SH1, SHE, SM11, SWE2, SWX2, SX, SX1, SXC, SXC1, SXE, SXE1, VSP, VTE5, VX, VX1, VX1M, VXE, VXEM, VXK, VXU1
					-	1		
E-40	16	T	38240-VA3-900	PROTECTOR, CIRCUIT(1.0A).....	1	-	-----	EDF6, EDS1, EDS2

NOTE A:PART NO. CHANGE D:NEWLY PROVIDED E:PART NO. DELETION K:REQUIRED NO. CORRECTION L:APPLICATION SERIAL NO. CORRECTION  
M:PART DESCRIPTION CORRECTION T:APPLICATION CORRECTION Z:REMARKS CHANGE

# HONDA PARTS CATALOGUE NEWS

## PARTS CATALOGUE - CORRECTED

CODE NO.	13Z7E803
PARTS CATALOGUE NEWS	GX390H1 GX390H2
NEWS NO.	003

Block No.	Ref. No.	Note	Part No.	Description	Reqd. QTY		Serial No.	Parts catalogue code	
					GX 390 H1	GX 390 H2			
E-20	6	T	36101-ZE2-701	CORD, STOP SWITCH (430MM).....	1	-	-----	LH1, LH2, LHB5, LHP1, LXE9, PX, QA2, QBE1, QEBR, QH, QH1, QHB1, QHB3, QHB5, QHBR, QHE, QHP1, QMH, QN, QP, QX, QXBR, QXE, QXEK, QXHQ, QXK, SH, SH1, SHE, SM11, SWE2, SWX2, SX, SX1, SXC, SXC1, SXE, SXE1, VMQ3, VMT3, VPKK, VPX4, VPXB, VPXE, VPXJ, VPXK, VPXX, VSP, VTE5, VX, VX1, VX1M, VXE, VXEK, VXEM, VVK, VXKS, VXU1	
	7	T	36103-V42-000	HOLDER, STOP SWITCH CORD.....	1	-	-----	ES2, LH, LH1, QEBR, QH, QH1, QHB1, QHBR, QHE, QHP1, QMH, QN, QXE, SH, SH1, SHE, SM11, SWE2, SXE, VTE5, VXE, VXEM	
						-	1	-----	QHE, QXE, SHE, VTE5, VXE, VXEM
	11	T	90684-Z7E-000	CLIP, HARNESS.....	1	-	-----	PX, QA2, QX, QXBR, QXHQ, QXK, SWX2, SX, SX1, SXC, SXC1, VPXB, VX, VX1, VX1M, VXKS	
						1	-	0011401	EDT1, VPX4, VSP
					-	1	-----	EDT1, ES2, LH, LH1, PX, QH, QH1, QMH, QN, QX, QXHQ, SH, SH1, SM11, SWX2, SX, SX1, SXC, SXC1, VPXB, VX, VX1, VX1M, VXKS	
	17	T	32110-Z5K-000	HARNESS ASSY., ENGINE WIRE....	-	1	-----	EDT1, ES2, PX, QX, QXHQ, SWX2, SX, SX1, SXC, SXC1, VPXB, VX, VX1, VX1M, VXKS	
E-28	19	T	87524-Z0S-801	MARK, AIR CLEANER CAUTION (OIL BATH)	1	-	-----	SWE2, SWX2	

NOTE A:PART NO. CHANGE D:NEWLY PROVIDED E:PART NO. DELETION K:REQUIRED NO. CORRECTION L:APPLICATION SERIAL NO. CORRECTION  
M:PART DESCRIPTION CORRECTION T:APPLICATION CORRECTION Z:REMARKS CHANGE

# HONDA PARTS CATALOGUE NEWS

## PARTS CATALOGUE - CORRECTED

CODE NO.	13Z7E803
PARTS CATALOGUE NEWS	GX390H1 GX390H2
NEWS NO.	004

Block No.	Ref. No.	Note	Part No.	Description	Reqd. QTY		Serial No.	Parts catalogue code
					GX 390 H1	GX 390 H2		
E-20	1	E	30500-27E-003	*PART NO. DELETION				
		D	30100-27E-305	COIL ASSY., IGNITION & CAP ASSY., NOISE SUPPRESSOR	1	-	-----	EDS2, ES2, ES3S, ES4S, LH1, LH2, LHB5, LHP1, LXE9, PX, QA2, QBE1, QEBR QH, QH1, QHB1, QHB3, QHB5, QHBR, QHE, QHP1, QMH, QN, QP, QX, QXBR, QXE QXEK, QXHQ, QXK, SH, SH1, SHE, SM11, SWE2, SWX2, SX, SX1, SXC, SXC1, SXE SXE1, VMQ3, VMT3, VPKK, VPXB, VPXE, VPXJ, VPXK, VPXX, VS4, VS6, VSB4 VSP, VTE5, VX, VX1, VXE, VXEK, VXX, VXKS, VXU1
					1	-	-----	0284342 LH
					1	-	-----	0001592 EDS1, EDT1
					1	-	-----	0002905 VPX4
	2	E	30700-21T-003	*PART NO. DELETION				
E-21-1	3	D	31212-27E-003	ARMATURE ASSY. ....	-	1	-----	EDS1, EDS2, QHE, SHE, VPKK, VPXE, VPXK, VPXX, VXEK

NOTE A:PART NO. CHANGE D:NEWLY PROVIDED E:PART NO. DELETION K:REQUIRED NO. CORRECTION L:APPLICATION SERIAL NO. CORRECTION M:PART DESCRIPTION CORRECTION T:APPLICATION CORRECTION Z:REMARKS CHANGE

# HONDA PARTS CATALOGUE NEWS

## PARTS CATALOGUE - CORRECTED

CODE NO.	13Z7E803
PARTS CATALOGUE NEWS	GX390H1 GX390H2
NEWS NO.	005

Block No.	Ref. No.	Note	Part No.	Description	Reqd. QTY		Serial No.	Parts catalogue code
					GX 390 H1	GX 390 H2		
E-20	1	E	30100-27E-003	*PART NO. DELETION				
		D	30100-27E-305	COIL ASSY., IGNITION & CAP ASSY., NOISE SUPPRESSOR	1	-	----- 0838568	EDS2, ES2, ES3S, ES4S, VS4, VS6, VSB4
					1	-	----- 0838866	LH, LH1, LH2, LHB5, LHP1, LXE9, PX, QA2, QBE1, QEBR, QH, QH1, QHB1, QHB3, QHB5, QHBR, QHE, QHP1, QMH, QN, QP, QX, QXBR, QXE, QXEK, QXHQ, QXK, SH, SH1, SHE, SM11, SWE2, SWX2, SX, SX1, SXC, SXC1, SXE, SXE1, VMQ3, VMT3, VPKK, VPXB, VPXE, VPXJ, VPXK, VPXX, VSP, VTE5, VX, VX1, VXE, VXEK, VVK, VXKS, VXU1
					1	-	0001592 0838568	EDS1, EDT1
					1	-	0002905 0838866	VPX4
	2	T	30700-21T-601	CAP ASSY., NOISE SUPPRESSOR (TOYO)	1	-	-----	EDF6, VX1M, VXEM
					1	-	0838569	EDS1, EDS2, EDT1, ES2, ES3S, ES4S, VS4, VS6, VSB4
					1	-	0838867	LH, LH1, LH2, LHB5, LHP1, LXE9, PX, QA2, QBE1, QEBR, QH, QH1, QHB1, QHB3, QHB5, QHBR, QHE, QHP1, QMH, QN, QP, QX, QXBR, QXE, QXEK, QXHQ, QXK, SH, SH1, SHE, SM11, SWE2, SWX2, SX, SX1, SXC, SXC1, SXE, SXE1, VMQ3, VMT3, VPKK, VPX4, VPXB, VPXE, VPXJ, VPXK, VPXX, VSP, VTE5, VX, VX1, VXE, VXEK, VVK, VXKS, VXU1
	12	T	30500-27E-601	COIL ASSY., IGNITION.....	1	-	-----	EDF6, VX1M, VXEM
					1	-	0838569	EDS1, EDS2, EDT1, ES2, ES3S, ES4S, VS4, VS6, VSB4

NOTE A:PART NO. CHANGE D:NEWLY PROVIDED E:PART NO. DELETION K:REQUIRED NO. CORRECTION L:APPLICATION SERIAL NO. CORRECTION  
M:PART DESCRIPTION CORRECTION T:APPLICATION CORRECTION Z:REMARKS CHANGE

PARTS CATALOGUE NEWS

BOOKNo. : 13Z7E803

Block No.	Ref. No.	Note	Part No.	Description	Reqd. QTY		Serial No.	Parts catalogue code
					GX 390 H1	GX 390 H2		
					1	-	0838867 -----	LH, LH1, LH2, LHB5, LHP1, LXE9, PX, QA2, QBE1, QEBR, QH, QH1, QHB1, QHB3, QHB5, QHBR, QHE, QHP1, QMH, QN, QP, QX, QXBR, QXE, QXEK, QXHQ, QXK, SH, SH1, SHE, SM11, SWE2, SWX2, SX, SX1, SXC, SXC1, SXE, SXE1, VMQ3, VMT3, VPKK, VPX4, VPXB, VPXE, VPXJ, VPXK, VPXX, VSP, VTE5, VX, VX1, VXE, VXEK, VXK, VXKS, VXU1

NOTE A:PART NO. CHANGE D:NEWLY PROVIDED E:PART NO. DELETION K:REQUIRED NO. CORRECTION L:APPLICATION SERIAL NO. CORRECTION  
M:PART DESCRIPTION CORRECTION T:APPLICATION CORRECTION Z:REMARKS CHANGE

# HONDA PARTS CATALOGUE NEWS

## PARTS CATALOGUE - CORRECTED

CODE NO.	13Z7E803
PARTS CATALOGUE NEWS	GX390H1 GX390H2
NEWS NO.	006

Block No.	Ref. No.	Note	Part No.	Description	Reqd. QTY		Serial No.	Parts catalogue code
					GX 390 H1	GX 390 H2		
E-20	6	T	32195-Z7E-701	CORD, STOP SWITCH (430MM).....	1	-	0284343 -----	LH
				(30500-Z7E-701)	1	-	0650383 -----	LH1, LH2, LHB5, LHP1, LXE9, PX, QA2, QBE1, QEBR, QH, QH1, QHB1, QHB3, QHB5, QHBR, QHP1, QMH, QN, QP, QX, QXBR, QXE, QXEK, QXHQ, QXK, SH, SH1, SHE, SM11, SWE2, SWX2, SX, SX1, SXG, SXC1, SXE, SXE1, VMO3, VMT3, VPX4, VPXB, VPXE, VPXJ, VPXK, VSP, VTE5, VX, VX1, VXE, VXK, VXU1
				(30500-Z7E-701)	1	-	-----	QHE, VPKK, VPXX, VX1M, VXEK, VXEM, VXKS

NOTE A:PART NO. CHANGE D:NEWLY PROVIDED E:PART NO. DELETION K:REQUIRED NO. CORRECTION L:APPLICATION SERIAL NO. CORRECTION  
M:PART DESCRIPTION CORRECTION T:APPLICATION CORRECTION Z:REMARKS CHANGE